

Bonfiglioli Vectron

S2U

Variable Frequency Drive



Power, control and green solutions



Bonfiglioli, one name for a large international group.

It was back in 1956 that Clementino Bonfiglioli established in Bologna, Italy, the company that still bears his name. Now, some fifty years later, the same enthusiasm and dedication is driving Bonfiglioli to become the world's top name in power transmission and control solutions. Through directly controlled subsidiaries and production plants around the world, Bonfiglioli designs, manufactures and distributes a complete range of gearmotors, drive systems and planetary gearboxes, and boasts the most integrated offering on the market today.

Now, to emphasise its commitment to health, safety and environmental sustainability, Bonfiglioli is adding the term "green" to the description of its offering.

This commitment can be seen too in the Group's new trademark, made up of three shapes and colours identifying Bonfiglioli's three main business areas - Power, Control & Green Solutions and symbolising a set of values that includes openness and respect for other cultures.

In a market in which excellent product quality alone is no longer sufficient, Bonfiglioli also provides experience, know-how, an extensive sales network, excellent pre-sales and after-sales service and modern communication tools and systems to create high level solutions for industry, mobile machinery and renewable energy.

Variable Frequency Drive



The ideal drive for your lean application projects

Intuitive and simple, but powerful and effective, S2U is the Bonfiglioli Vectron compact inverter for efficient speed and torque control of electric motors.

S2U range is made of 2 frame sizes and kW rating from 0.20 kW up to 2.2 kW.

The simple installation and use, together with connectivity and outstanding range of functions, make it the perfect drive for the control of those applications where productivity and short time to market are critical.

S2U can be easily integrated into any control

architecture thanks to the built-in Modbus port and the wide range standard communication configuration protocols available. Easy plug in of PC VPlus software is granted via the integrated RJ45 connector in the front of the drive.

Comprehensive service for product dimensioning and selection is available in any Bonfiglioli branch office or distributor all around the world. Cabling is made easier by spring terminals and clear terminals marking.

Once you have tried S2U inverter, you'll never leave it!



Areas of application

- High environment immunity
- High braking ability without braking resistor
- High torque at low speed
- Heat sink designed for dusty environment



Packaging industry



Fans, pumps and mixers



Textile machines

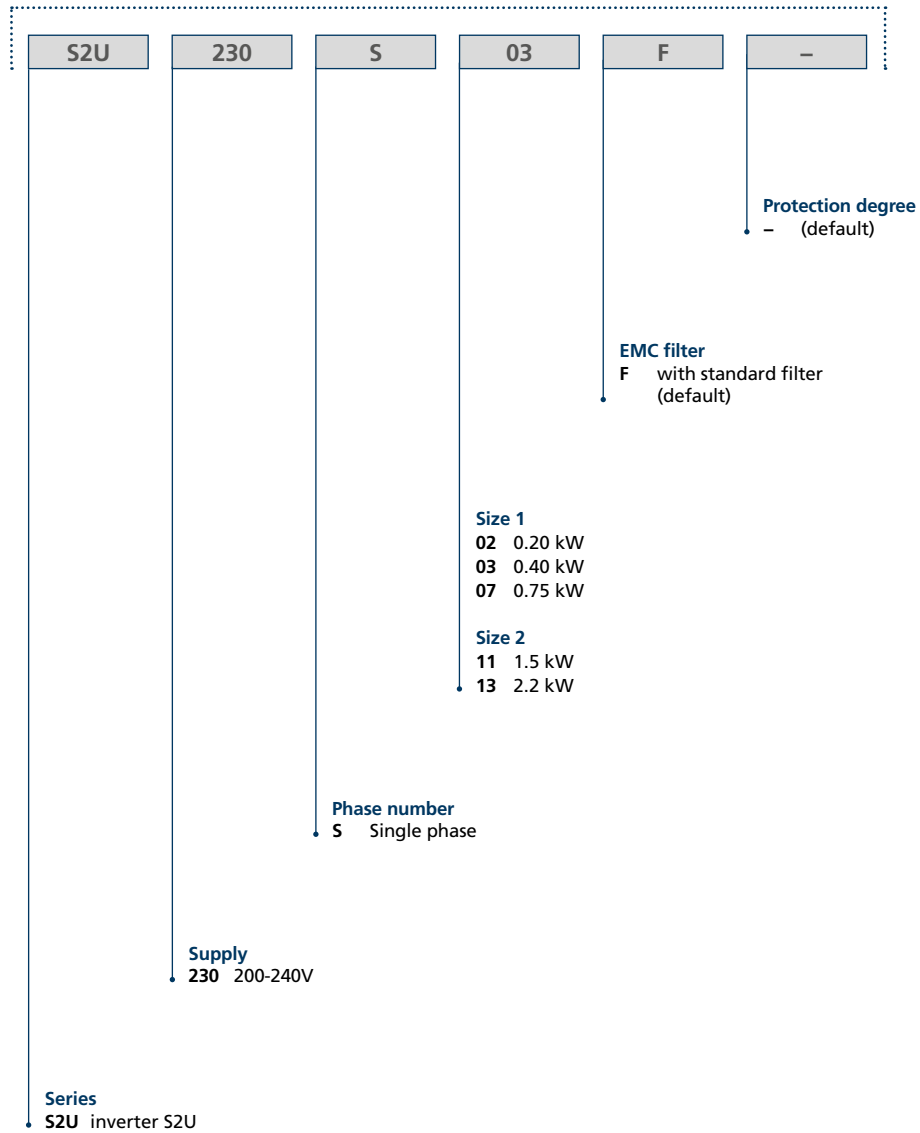


Material handling

Designation

S2U series

Basic variants



Features

- 32 bit CPU design strengthens the software's functionality, increases A/D responding speed, and enables automatic torque compensation
- Output frequency up to 650 Hz
- Modbus RS485 communication built-in for one-to-one and one-to-many control
- Links with Profibus, Devicenet, CANopen, Ethernet (TCP/IP) through gateways
- Built-in standard keypad including potentiometer for easy speed adjustment
- Links with PC VPlus software through RJ45
- EMI filter built-in for magnetic interference suppression complying with (IEC) EN61800-3 standard
- Micro size for easy installation including side-by-side and Dinrail mounting option
- PID feedback control built-in
- Suitable for conveyors, automated knitting machines, food packing machines, simple windmills and pumps
- Full protective functions
- Fanless design can effectively extend product life
- Emergency stop function built-in complying with global standard
- Panel mounting by heatsink or Dinrail option
- Earthing terminals built-in into heatsink to effectively provide grounding protection
- Flip form communication interface for easy link and dust-proof feature, with operational and protective functions

Type	Power kW
S2U230S-02	0.20
S2U230S-03	0.40
S2U230S-07	0.75
S2U230S-11	1.5
S2U230S-13	2.2



Size 1



Size 2

General technical data

Item	S2U series
Control mode	V/F control + Auto-torque compensation function
Frequency	
Range	0.01 ... 650 hz
Setting resolution	Digital input: 0.01 Hz / Analog input: 0.06/60 Hz
Setting	Keypad: Set directly with keys or the VR on the keypad External terminal: AVI (0-10V/2-10V), ACI (0-20mA/4-20mA) input Multifunction input up/down function (group3) communication settings
Frequency limit	The lower and upper limit of frequency 3 jump frequency can be set
Run	
Operation set	Panel: run, stop button control External terminal: Multi-operation-mode2, 3 wireselection, Jog operation, Communication operation
Commonly control	
V/F curve setting	6 fixed curve, an arbitrary curve
Carrier frequency	1-16 kHz (default 5 kHz)
Acceleration and deceleration control	2 Acc/Dec time can be set 4 S curve can be set
Multifunction input	19 functions (refer to description on group3)
Multifunction output	14 functions (refer to description on group3)
Multifunction analog output	5 functions (refer to description on group3)
Other features	Overload detection, 8 preset speeds, Auto-run, Acc/Dec switch (2stages), Main/Alt run command select, Main/Alt frequency command select, PID control, torque boost, V/F start frequency, abnormality reset and ect.
Display	
LED	Display: parameter, parameter value, frequency, line speed, DC voltage, output voltage, output current, PID feedback, input and output terminal status, Heat sink temperature, Program version, Fault log and etc.
Status indicator	Instructions: run, stop, forward, reverse, and etc.
Protective functions	
Overload protection	The relays to protect the motor and the inverter
Over voltage	Over 410 V dc
Under voltage	Under 190 V dc
Momentary power loss restart	Inverter can auto-restart after power instantaneously loss
Stall prevention	Stall prevention for Acc/Dec operation
Short-circuit output terminal	Electronic circuit protection
Grounding fault	Electronic circuit protection
Other protection features	Protection for overheating of heat sink, the carrier frequency decreasing with the temperature function, fault output, reverse prohibit, for direct start after power up and error recovery parameter lock up
Environment	
Communication control	Built-in RS485 modbus, one to one or one to many control
Operating temperature	-10°C ... 50°C
Storage temperature	-20°C ... 60°C
Humidity	95% RH or less (no condensation)
Shock	20 Hz or less 1G (9.8 m/s ²) 20-50 Hz 0.6G (5.88 m/s ²)
Protection class	IP20

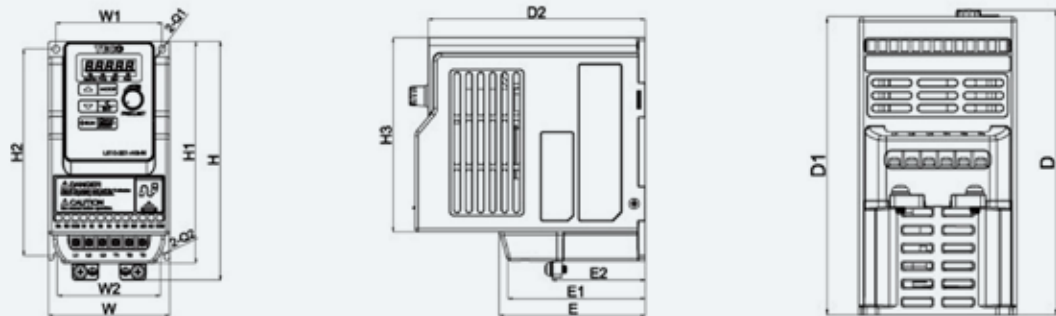
Technical data

S2U230S-	02	03	07	11	13
----------	----	----	----	----	----

Max applicable motor output	kW	0.2	0.4	0.75	1.5	2.2
Rated output current	A	1.8	2.6	4.3	7.5	10.5
Rated capacity	kVa	0.68	1.0	1.65	2.9	4.0
Max input voltage	-	Single phase 200-240V / 50-60 Hz (+10%/-15%)				
Max output voltage	-	Three phase 0-240V				
Input current	A	4.9	7.2	11	15.5	21
Allowable momentary power loss time	-	1 second			2 seconds	
Protection level	-	IP20				

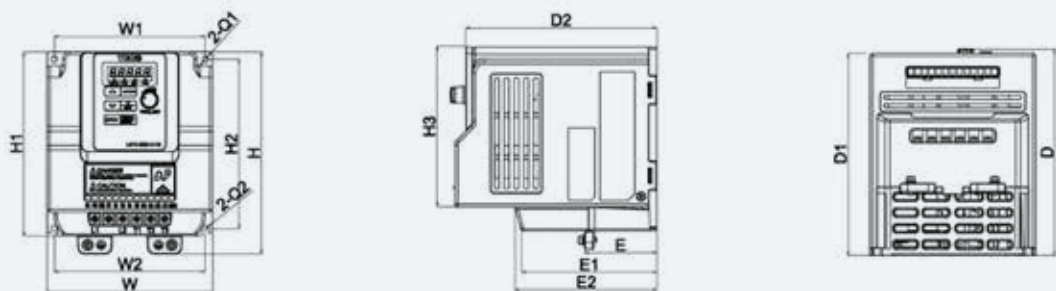
Dimensions

Size 1



Type	W	W1	W2	H	H1	H2	D	D1
[mm]								
S2U230S-02 F	72	63	61	141	131	122	139.2	136
S2U230S-03 F	72	63	61	141	131	122	139.2	136
S2U230S-07 F	72	63	61	141	131	122	139.2	136

Size 2



Type	W	W1	W2	H	H1	H2	D	D1
[mm]								
S2U230S-11 F	118	108	108	144	131	121	147.3	144.2
S2U230S-13 F	118	108	108	144	131	121	147.3	144.2

Added value



Sharing the value of our work with you.

The development of effective, tailored solutions for a wide range of applications is a fundamental aspect of our work.

We succeed in this because we co-operate closely with our customers, listen to their requests and work with them to improve our own performance.

Bonfiglioli is determined to deliver the best service possible – before, during and after the sale of any of our products – by applying all our know-how, experience, technology, and advanced communication tools. Bonfiglioli works to the strictest standards of quality and safety, as certified by seven different internationally recognised institutes.

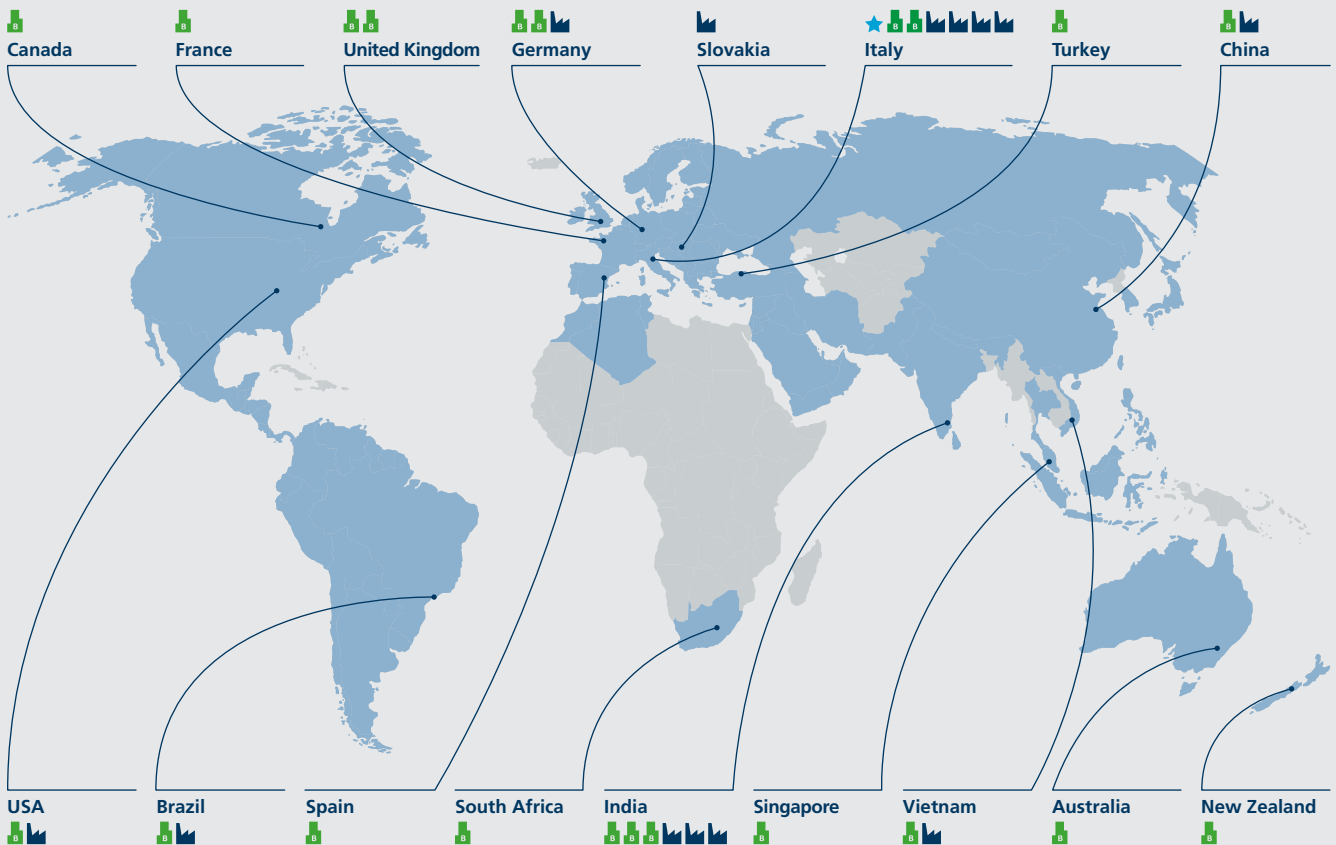
We believe in innovation, and back up this belief by dedicating 100 of our people and 5 activity centres to research and development, and by working hand in hand with some of the world's most prestigious universities.

Our work increasingly brings us into contact with other nations and cultures, for which we have the greatest respect and with whom we share a vision of sustainable development based on renewable energy.

This bond of commitment allows us to be an authoritative and reliable global partner for the present and the future.



Bonfiglioli Worldwide



Headquarters

ITALY • Lippo di Calderara, Bologna



Branches

AUSTRALIA • Sydney
BRAZIL • São Paulo
CANADA • Toronto
CHINA • Shanghai
FRANCE • Paris
GERMANY • Neuss
GERMANY • Krefeld
INDIA • Chennai
INDIA • Mannur
INDIA • Bangalore
ITALY • Milano
ITALY • Rovereto
NEW ZEALAND • Auckland
SOUTH AFRICA • Johannesburg
SINGAPORE • Singapore
SPAIN • Barcelona
TURKEY • Izmir
UNITED KINGDOM • Redditch
UNITED KINGDOM • Warrington
USA • Cincinnati
VIETNAM • Ho Chi Minh



Production facilities

ITALY • Calderara di Reno, Bologna
 Casting and gearcutting plant
 Assembly HDP, HDO, 300 series
ITALY • Vignola, Modena
 Gearmotor assembly plant
 Precision gearbox manufacturing and assembly plant
ITALY • Forlì
 Planetary gearboxes manufacturing and assembly plant
ITALY • Rovereto, Trento
 Brushless motor and precision gearboxes production
GERMANY • Krefeld
 Inverter plant
SLOVAKIA • Považská Bystrica
 Large gearboxes manufacturing plant
INDIA • Chennai
 Planetary gearbox manufacturing and assembly plant
INDIA • Mannur
 Gearmotors manufacturing and assembly plant
INDIA • Bangalore
 Photovoltaic Inverter assembly
VIETNAM • Ho Chi Minh
 Electric motor plant
CHINA • Shanghai
 Photovoltaic Inverter assembly
BRAZIL • São Paulo
 Planetary gearboxes manufacturing and assembly plant
USA • Hebron
 Planetary gearboxes manufacturing and assembly plant

Resellers

AFRICA • Algeria, Egypt, Kenya, Morocco, South Africa, Tunisia
ASIA • Bahrain, China, Emirates, Japan, Jordan, Hong Kong, India, Indonesia, Iran, Israel, Kuwait, Malaysia, Oman, Pakistan, Philippines, Qatar, Saudi Arabia, Singapore, South Korea, Syria, Thailand, Taiwan, Vietnam
EUROPE • Albania, Austria, Belgium, Bielorusia, Bulgaria, Cyprus, Croatia, Czech Republic, Denmark, Estonia, Finland, France, Holland, Hungary, Germany, Great Britain, Greece, Ireland, Italy, Lettonia, Lituania, Luxemburg, Malta, Montenegro, Norway, Poland, Portugal, Romania, Russia, Slovakian Republic, Serbia, Slovenia, Spain, Sweden, Switzerland, Turkey, Ucraina
LATIN AMERICA • Argentina, Bolivia, Brasil, Chile, Colombia, Costa Rica, Ecuador, Guatemala, Honduras, Mexico, Peru, Uruguay, Venezuela
NORTH AMERICA • Canada, United States
OCEANIA • Australia, New Zealand

Bonfiglioli Worldwide Network

Bonfiglioli Australia

2, Cox Place Glendenning NSW 2761
 Locked Bag 1000 Plumpton NSW 2761
 Tel. (+ 61) 2 8811 8000 - Fax (+ 61) 2 9675 6605
www.bonfiglioli.com.au

Bonfiglioli Brasil

Travessa Cláudio Armando 171
 Bloco 3 - CEP 09861-730 - Bairro Assunção
 São Bernardo do Campo - São Paulo
 Tel. (+55) 11 4344 2323 - Fax (+55) 11 4344 2322
www.bonfigliolidobrasil.com.br

Bonfiglioli Canada

2-7941 Jane Street - Concord, Ontario L4K 4L6
 Tel. (+1) 905 7384466 - Fax (+1) 905 7389833
www.bonfigliolicanada.com

Bonfiglioli China

Bonfiglioli Drives (Shanghai) Co., Ltd.
 #68, Hui-Lian Road, QingPu District,
 Shanghai, China, 201707
 Ph. (+86) 21 6700 2000 - Fax (+86) 21 6700 2100
www.bonfiglioli.cn

Bonfiglioli Deutschland

Industrial, Mobile, Wind
 Sperberweg 12 - 41468 Neuss
 Tel. +49 (0) 2131 2988 0 - Fax +49 (0) 2131 2988 100
www.bonfiglioli.de

Industrial, Photovoltaic

Europark Fichtenhain B6 - 47807 Krefeld
 Tel. +49 (0) 2151 8396 0 - Fax +49 (0) 2151 8396 999
www.vectron.net

Bonfiglioli España

Industrial, Mobile, Wind
 Tecnotrans Bonfiglioli S.A.
 Pol. Ind. Zona Franca sector C, calle F, n°6
 08040 Barcelona
 Tel. (+34) 93 4478400 - Fax (+34) 93 3360402
www.tecnotrans.bonfiglioli.com

Bonfiglioli France

14 Rue Eugène Pottier
 Zone Industrielle de Moimont II - 95670 Marly la Ville
 Tel. (+33) 1 34474510 - Fax (+33) 1 34688800
www.bonfiglioli.fr

Bonfiglioli India

Industrial
 Bonfiglioli Transmission PVT Ltd.
 Survey No. 528, Perambakkam High Road
 Mannur Village, Sriperambudur Taluk,
 Chennai - 602105, Tamil Nadu
 Tel. +91(0) 44 6710 3800 - Fax +91(0) 44 6710 3999
www.bonfiglioli.in

Mobile, Wind

Bonfiglioli Transmission PVT Ltd.
 PLOT AC7-AC11 Sidco Industrial Estate
 Thirumudivakkam - Chennai 600 044
 Tel. +91(0) 44 24781035 - 24781036 - 24781037
 Fax +91(0) 44 24780091 - 24781904
www.bonfiglioli.in

Photovoltaic

Bonfiglioli Renewable Power Conversion India (P) Ltd
 No. 543, 14th Cross, 4th Phase,
 Peenya Industrial Area, Bangalore - 560 058
 Tel. +91 80 2836 1014/15 - Fax +91 80 2836 1016
www.bonfiglioli.in

Bonfiglioli Italia

Industrial, Photovoltaic

Via Sandro Pertini lotto 7b - 20080 Carpiano (Milano)
 Tel. (+39) 02 985081 - Fax (+39) 02 985085817
www.bonfiglioli.it

Bonfiglioli Mechatronic Research

Via F. Zeni 8 - 38068 Rovereto (Trento)
 Tel. (+39) 0464 443435/36 - Fax (+39) 0464 443439
www.bonfiglioli.it

Bonfiglioli New Zealand

88 Hastie Avenue, Mangere Bridge, Auckland
 2022, New Zealand - PO Box 11795, Ellerslie
 Tel. (+64) 09 634 6441 - Fax (+64) 09 634 6445
www.bonfiglioli.co.nz

Bonfiglioli South East Asia

24 Pioneer Crescent #02-08
 West Park Bizcentral - Singapore, 628557
 Tel. (+65) 6268 9869 - Fax. (+65) 6268 9179
www.bonfiglioli.com

Bonfiglioli South Africa

55 Galaxy Avenue,
 Linbro Business Park - Sandton
 Tel. (+27) 11 608 2030 OR - Fax (+27) 11 608 2631
www.bonfiglioli.co.za

Bonfiglioli Türkiye

Atatürk Organize Sanayi Bölgesi,
 10007 Sk. No. 30 Atatürk Organize Sanayi Bölgesi,
 35620 Çiğli - Izmir
 Tel. +90 (0) 232 328 22 77 (pbx)
 Fax +90 (0) 232 328 04 14
www.bonfiglioli.com.tr

Bonfiglioli United Kingdom

Industrial, Photovoltaic

Unit 7, Colemeadow Road
 North Moons Moat - Redditch,
 Worcestershire B98 9PB
 Tel. (+44) 1527 65022 - Fax (+44) 1527 61995
www.bonfiglioli.co.uk

Mobile, Wind

3 - 7 Grosvenor Grange, Woolston
 Warrington - Cheshire WA1 4SF
 Tel. (+44) 1925 852667 - Fax (+44) 1925 852668
www.bonfiglioli.co.uk

Bonfiglioli USA

3541 Hargrave Drive Hebron, Kentucky 41048
 Tel. (+1) 859 334 3333 - Fax (+1) 859 334 8888
www.bonfiglioliusa.com

Bonfiglioli Vietnam

Lot C-9D-CN My Phuoc Industrial Park 3
 Ben Cat - Binh Duong Province
 Tel. (+84) 650 3577411 - Fax (+84) 650 3577422
www.bonfiglioli.vn



Bonfiglioli has been designing and developing innovative and reliable power transmission and control solutions for industry, mobile machinery and renewable energy applications since 1956.

HEADQUARTERS

Bonfiglioli Riduttori S.p.A.
Via Giovanni XXIII, 7/A
40012 Lippo di Calderara di Reno
Bologna (Italy)

tel: +39 051 647 3111
fax: +39 051 647 3126
bonfiglioli@bonfiglioli.com
www.bonfiglioli.com

VE_CAT_S2U_STD_ENG_R00_0

