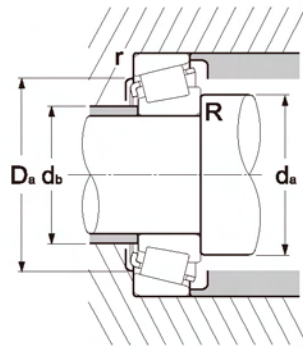
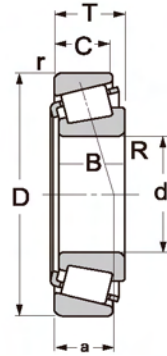


Inch tapered roller bearings



Equivalent bearing load
dynamic: $P_r = X F_r + Y F_a$

$\frac{F_a}{F_r} \leq e$		$\frac{F_a}{F_r} > e$	
X	Y	X	Y
1	0	0.4	Y ₂

static: $P_{or} = 0.5 F_r + Y_0 F_a$
When $P_{or} < F_r$ use $P_{or} = F_r$
For values of e, Y₂ and Y₀
see the table below

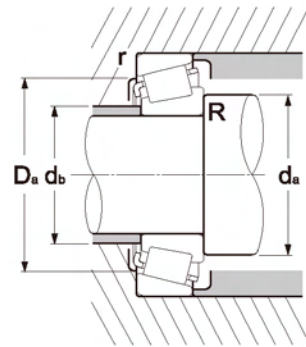
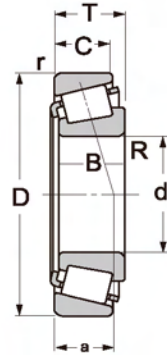
Basic Bearing No.	Nominal Bearing Dimensions					Preferred Shoulder Diameters				
	d mm inch	D mm inch	T mm inch	B mm inch	C mm inch	R mm inch <small>(min shaft fillet)</small>	r mm inch <small>(min housing fillet)</small>	da (min) mm inch	db (max) mm inch	Da (max) mm inch
LM11749/ LM11710	17.4620 0.6875	39.8780 1.5700	13.8430 0.5450	14.605 0.575	10.688 0.420	1.300 0.050	1.300 0.050	21.500 0.846	21.600 0.850	37.100 1.460
LM11949/ LM11910	19.0500 0.7500	45.2370 1.7810	15.4940 0.6100	16.6370 0.6550	12.0650 0.4750	1.300 0.050	1.300 0.050	23.500 0.925	23.600 0.930	41.400 1.630
M12649/ M12610	21.4300 0.8437	50.0050 1.9687	17.5260 0.6900	18.2880 0.7200	13.9700 0.5500	1.300 0.050	1.300 0.050	25.500 1.004	25.400 1.000	46.000 1.810
M12649A/ M12610	21.4300 0.8437	50.0050 1.9687	17.0261 0.6703	17.7880 0.7000	13.4700 0.5300	1.300 0.050	1.300 0.050	25.500 1.004	25.400 1.000	46.000 1.810
LM12749/ LM12710	21.9860 0.8656	45.2370 1.7810	15.4940 0.6100	16.6370 0.6550	12.0650 0.4750	1.300 0.050	1.300 0.050	27.500 1.183	25.900 1.020	41.400 1.630
LM12749/ LM12711	21.9860 0.8656	45.9740 1.8100	15.4940 0.6100	16.6370 0.6550	12.0650 0.4750	1.300 0.050	1.300 0.050	26.000 1.024	25.900 1.020	42.400 1.670
L44643/ L44610	25.4000 1.0000	50.2920 1.9800	14.2240 0.5600	14.7320 0.5800	10.6680 0.4200	1.300 0.050	1.300 0.050	29.500 1.161	29.500 1.160	47.000 1.850
L44649/ L44610	26.9880 1.0625	50.2920 1.9800	14.2240 0.5600	14.7320 0.5800	10.6680 0.4200	3.500 0.140	1.300 0.050	31.000 1.220	31.000 1.220	47.000 1.850
L45449/ L45410	29.0000 1.1417	50.2920 1.9800	14.2240 0.5600	14.7320 0.5800	10.6680 0.4200	3.500 0.140	1.300 0.050	33.000 1.299	33.000 1.300	48.000 1.890
LM67048/ LM67010	31.7500 1.2500	59.1310 2.3280	15.8750 0.6250	16.7640 0.6600	11.8110 0.4650	...	1.300 0.050	36.000 1.417	36.100 1.420	55.900 2.200
LM48548/ LM48510	34.9250 1.3750	65.0880 2.5625	18.0340 0.7100	18.2880 0.7200	13.9700 0.5500	...	1.300 0.050	40.000 1.575	39.900 1.570	61.000 2.400
L68149/ L68110	34.9880 1.3775	59.1310 2.3280	15.8750 0.6250	16.7640 0.6600	11.9380 0.4700	...	1.300 0.050	45.500 1.791	39.100 1.540	55.900 2.200
L68149/ L68111	34.9880 1.3775	59.9740 2.3612	15.8750 0.6250	16.7640 0.6600	11.9380 0.4700	...	1.300 0.050	39.000 1.535	39.100 1.540	55.900 2.200
JL69349/ JL69310	38.0000 1.4961	63.0000 2.4803	17.0000 0.6693	17.0000 0.6693	13.5000 0.5315	...	1.300 0.050	42.500 1.673	41.400 1.630	61.200 2.410
LM78349/ LM78310	34.9880 1.3775	61.9730 2.4399	16.7000 0.6575	17.0000 0.6693	13.6000 0.5354	...	1.500 0.059	46.000 1.811	40.000 1.575	54.000 2.126
JL68145/ JL68111	34.9880 1.3774	59.9740 2.3612	15.8750 0.6250	18.4610 0.7268	11.9380 0.4700	...	1.300 0.512	45.500 1.791	39.000 1.535	53.000 2.087
329013	29.0000 1.1417	50.2920 1.9800	14.2240 0.5600	17.6000 0.6929	10.6680 0.4200	3.500 0.138	1.3000 0.0512	39.500 1.555	33.000 1.299	44.500 1.752

NOTES:
1) These maximum fillet radii will be cleared by the bearing corners. 2) Minus value indicate center is inside cone backface.
3) Please refer to the picture above for the size of the leading angle marked with star.

Basic Bearing No.	Basic Load Ratings		Effective load center a mm	Constant e	Axial load factors		Limiting Speeds (1000 RPM)		Bearing Weight (Approx.)	
	C _r KN	C _{or} KN			Y ₂	Y ₀	Grease rpm	Oil rpm	Weight lbs	Weight kg
LM11749/ LM11710	23.8	24.2	5.1	0.29	2.10	1.15	10000	13000	0.185	0.084
LM11949/ LM11910	28.5	28.9	5.6	0.30	2.00	1.10	9000	12000	0.268	0.122
M12649/ M12610	38.5	40.0	6.4	0.28	2.16	1.19	8000	11000	0.372	0.169
M12649A/ M12610	37.6	40.8	6.4	0.28	2.16	1.19	8000	11000	0.360	0.163
LM12749/ LM12711	29.6	34.0	5.3	0.31	1.96	1.08	8500	11000	0.271	0.123
LM12749/ LM12711	29.6	34.0	5.3	0.31	1.96	1.08	8400	11000	0.271	0.123
L44643/ L44610	28.8	34.0	3.3	0.37	1.60	0.88	7400	10000	0.286	0.130
L44649/ L44610	28.8	34.0	3.3	0.37	1.60	0.88	7400	10000	0.264	0.120
L45449/ L45410	28.0	35.5	3.5	0.37	1.62	0.89	7200	9600	0.251	0.114
LM67048/ LM67010	34.5	41.5	3.8	0.41	1.46	0.80	6300	8500	0.400	0.182
LM48548/ LM48510	47.5	57.5	3.1	0.38	1.59	0.88	5700	7600	0.548	0.249
L68149/ L68110	35.5	47.5	2.5	0.42	1.44	0.79	6000	8000	0.385	0.175
L68149/ L68111	35.5	47.5	2.5	0.42	1.44	0.79	6100	8100	0.403	0.183
JL69349/ JL69310	38.5	52.5	2.3	0.42	1.44	0.79	5700	7600	0.436	0.198
LM78349/ LM78310	38.0	50.0	14.4	0.44	1.40	0.74	5600	8000	0.603	0.204
JL68145/ JL68111	35.0	47.0	13.2	0.42	1.40	0.79	6000	8000	0.406	0.184
329013	26.8	34.0	10.8	0.37	1.6	0.89	14000	17000	0.256	0.116

★ We reserve the right to change specifications and other information included in this catalogue without notice.

30200 Series

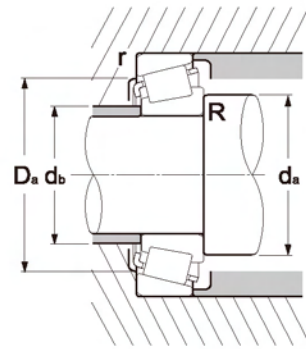
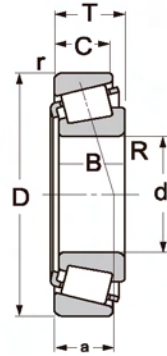


Basic Bearing No.	Nominal Bearing Dimensions						Preferred Shoulder Diameters							
	d		D		T		B		C		r1 (Min Inner Ring)		r2 (Min Out Ring)	
	mm	inch	mm	inch	mm	inch	mm	inch	mm	inch	mm	inch	mm	inch
30203	17	0.6693	40	1.5748	13.25	0.5217	12	0.4724	11	0.4331	1.0	0.039	1.0	0.039
30204	20	0.7874	47	1.8504	15.25	0.6004	14	0.5512	12	0.4724	1.0	0.039	1.0	0.039
30205	25	0.9843	52	2.0472	16.25	0.6398	15	0.5906	13	0.5118	1.0	0.039	1.0	0.039
30206	30	1.1811	62	2.4409	17.25	0.6791	16	0.6299	14	0.5512	1.0	0.039	1.0	0.039
30207	35	1.3780	72	2.8346	18.25	0.7185	17	0.6693	15	0.5906	1.5	0.059	1.5	0.059
30208	40	1.5748	80	3.1496	19.25	0.7579	18	0.7087	16	0.6299	1.5	0.059	1.5	0.059
30209	45	1.7717	85	3.3465	20.75	0.8169	19	0.7480	16	0.6299	1.5	0.059	1.5	0.059
30210	50	1.9685	90	3.5433	21.75	0.8563	20	0.7874	17	0.6693	1.5	0.059	1.5	0.059
30211	55	2.1654	100	3.9370	22.75	0.8957	21	0.8268	18	0.7087	2.0	0.079	1.5	0.059
30212	60	2.3622	110	4.3307	23.75	0.9350	22	0.8661	19	0.7480	2.0	0.079	1.5	0.059
30213	65	2.5591	120	4.7244	24.75	0.9744	23	0.9055	20	0.7874	2.0	0.079	1.5	0.059
30214	70	2.7559	125	4.9213	26.50	1.0433	24	0.9449	21	0.8268	2.0	0.079	1.5	0.059
30215	75	2.9528	130	5.1181	27.50	1.0827	25	0.9843	22	0.8661	2.0	0.079	1.5	0.059
30216	80	3.1496	140	5.5118	28.25	1.1122	26	1.0236	22	0.8661	2.5	0.098	2.0	0.079
30217	85	3.3465	150	5.9055	30.50	1.2008	28	1.1024	24	0.9449	2.5	0.098	2.0	0.079
30218	90	3.5433	160	6.2992	32.50	1.2795	30	1.1811	26	1.0236	2.5	0.098	2.0	0.079
30219	95	3.7402	170	6.6929	34.50	1.3583	32	1.2598	27	1.0630	3.0	0.118	2.5	0.098
30220	100	3.9370	180	7.0866	37.00	1.4567	34	1.3386	29	1.1417	3.0	0.118	2.5	0.098
30221	105	4.1339	190	7.4803	39.00	1.5354	36	1.4173	30	1.1811	3.0	0.118	2.5	0.098
30222	110	4.3307	200	7.8740	41.00	1.6142	38	1.4961	32	1.2598	3.0	0.118	2.5	0.098
30224	120	4.7244	215	8.4646	43.50	1.7126	40	1.5748	34	1.3386	3.0	0.118	2.5	0.098
30226	130	5.1181	230	9.0551	43.75	1.7224	40	1.5748	34	1.3386	4.0	0.157	3.0	0.118
30228	140	5.5118	250	9.8425	45.75	1.8012	42	1.6535	36	1.4173	4.0	0.157	3.0	0.118

★ We reserve the right to change specifications and other information included in this catalogue without notice.

Basic Bearing No.	Preferred Shoulder Diameters			Basic Load Ratings		Effective Load Center	Limiting Speeds		Bearing Weight (Approx.)				
	da (min)	db (max)	Da (max)	Cr	Cor		a	Grease rpm	Oil rpm	Weight lbs	Weight kg		
	mm	inch	mm	inch	mm	inch	KN	KN	mm				
30203	22.5	0.886	23.0	0.906	34.5	1.358	20.91	21.92	9.9	9900	13000	0.172	0.078
30204	25.5	1.004	27.0	1.063	41.5	1.634	28.49	30.60	11.2	8800	12000	0.273	0.124
30205	30.5	1.201	31.0	1.220	46.5	1.831	32.67	36.97	12.5	7300	10000	0.332	0.151
30206	35.5	1.398	37.0	1.457	56.5	2.224	43.58	50.48	13.8	6300	8400	0.504	0.229
30207	43.5	1.713	44.0	1.732	63.5	2.500	54.28	63.47	15.3	5500	7400	0.722	0.328
30208	48.5	1.909	49.0	1.929	71.5	2.815	62.95	73.92	16.9	4900	6600	0.922	0.419
30209	53.5	2.106	54.0	2.126	76.5	3.012	67.84	83.58	18.6	4400	6000	1.043	0.474
30210	58.5	2.303	58.0	2.283	81.5	3.209	73.26	92.10	20.0	4000	5300	1.164	0.529
30211	65.0	2.559	64.0	2.520	91.5	3.602	90.51	113.70	21.0	3600	5000	1.628	0.740
30212	70.0	2.756	70.0	2.756	101.5	3.996	102.85	130.07	22.0	3400	4500	1.078	0.904
30213	75.0	2.953	77.0	3.031	111.5	4.390	118.81	152.69	23.5	3100	4200	2.596	1.180
30214	80.0	3.150	81.0	3.189	116.5	4.587	131.70	173.73	25.5	2900	4000	2.772	1.260
30215	85.0	3.346	85.0	3.346	121.5	4.783	138.06	185.45	27.0	2800	3800	3.102	1.410
30216	92.0	3.622	91.0	3.583	130.0	5.118	159.43	212.95	27.5	2600	3400	3.784	1.720
30217	97.0	3.819	97.0	3.819	140.0	5.512	176.34	236.95	30.0	2400	3200	4.708	2.140
30218	102.0	4.016	103.0	4.055	150.0	5.906	198.94	269.72	32.0	2200	3000	5.852	2.660
30219	109.0	4.291	110.0	4.331	158.0	6.220	255.76	309.23	34.0	2200	2800	6.754	3.070
30220	114.0	4.488	116.0	4.567	168.0	6.614	258.00	335.00	36.0	2000	2700	8.316	3.780
30221	119.0	4.685	122.0	4.803	178.0	7.008	287.00	380.00	38.1	1900	2500	9.943	4.510
30222	128.0	5.039	129.0	5.079	188.0	7.402	325.00	435.00	40.1	1800	2400	11.640	5.280
30224	138.0	5.433	141.0	5.551	203.0	7.992	345.00	470.00	44.4	1700	2200	13.845	6.280
30226	151.0	5.945	151.0	5.945	216.0	8.504	375.00	505.00	45.8	1500	2000	15.983	7.250
30228	161.0	6.339	164.0	6.457	236.0	9.291	390.00	515.00	48.9	1400	1900	19.268	8.740

30300 Series

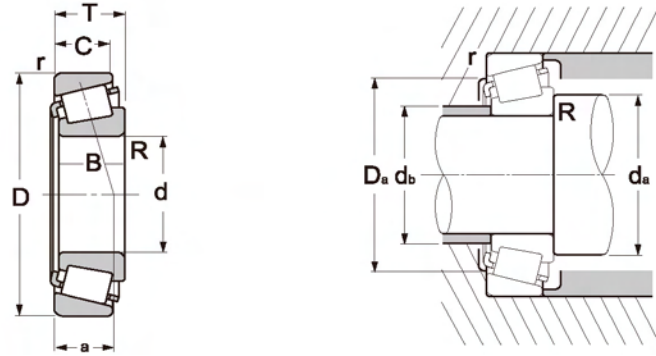


Basic Bearing No.	Nominal Bearing Dimensions						Preferred Shoulder Diameters							
	d		D		T		B		C		r1 (Min Inner Ring)		r2 (Min Out Ring)	
	mm	inch	mm	inch	mm	inch	mm	inch	mm	inch	mm	inch	mm	inch
30302	15	0.5906	42	1.6535	14.25	0.5610	13	0.5118	11	0.4331	1.0	0.039	1.0	0.039
30303	17	0.6693	47	1.8504	15.25	0.6004	14	0.5512	12	0.4724	1.0	0.039	1.0	0.039
30304	20	0.7874	52	2.0472	16.25	0.6398	15	0.5906	13	0.5118	1.5	0.059	1.5	0.059
30305	25	0.9843	62	2.4409	18.25	0.7185	17	0.6693	15	0.5906	1.5	0.059	1.5	0.059
30306	30	1.1811	72	2.8346	20.75	0.8169	19	0.7480	16	0.6299	1.5	0.059	1.5	0.059
30307	35	1.3780	80	3.1496	22.75	0.8957	21	0.8268	18	0.7087	2.0	0.079	1.5	0.059
30308	40	1.5748	90	3.5433	25.25	0.9941	23	0.9055	20	0.7874	2.0	0.079	1.5	0.059
30309	45	1.7717	100	3.9370	27.25	1.0728	25	0.9843	22	0.8661	2.0	0.079	1.5	0.059
30310	50	1.9685	110	4.3307	29.25	1.1516	27	1.0630	23	0.9055	2.5	0.098	2.0	0.079
30311	55	2.1654	120	4.7244	31.50	1.2402	29	1.1417	25	0.9843	2.5	0.098	2.0	0.079
30312	60	2.3622	130	5.1181	33.50	1.3189	31	1.2205	26	1.0236	3.0	0.118	2.5	0.098
30313	65	2.5591	140	5.5118	36.00	1.4173	33	1.2992	28	1.1024	3.0	0.118	2.5	0.098
30314	70	2.7559	150	5.9055	38.00	1.4961	35	1.3780	30	1.1811	3.0	0.118	2.5	0.098
30315	75	2.9528	160	6.2992	40.00	1.5748	37	1.4567	30	1.1811	3.0	0.118	2.5	0.098
30316	80	3.1496	170	6.6929	42.50	1.6732	39	1.5354	33	1.2992	3.0	0.118	2.5	0.098
30317	85	3.3465	180	7.0866	44.50	1.7520	41	1.6142	34	1.3386	4.0	0.157	3.0	0.118
30318	90	3.5433	190	7.4803	46.50	1.8307	43	1.6929	36	1.4173	4.0	0.157	3.0	0.118
30319	95	3.7402	200	7.8740	49.50	1.9488	45	1.7717	38	1.4961	4.0	0.157	3.0	0.118
30320	100	3.9370	215	8.4646	51.50	2.0276	47	1.8504	39	1.5354	4.0	0.157	3.0	0.118
30321	105	4.1339	225	8.8583	53.50	2.1063	49	1.9291	41	1.6142	4.0	0.157	3.0	0.118
30322	110	4.3307	240	9.4488	54.50	2.1457	50	1.9685	42	1.6535	4.0	0.157	3.0	0.118
30324	120	4.7244	260	10.2362	59.50	2.3425	55	2.1654	46	1.8110	4.0	0.157	3.0	0.118

★ We reserve the right to change specifications and other information included in this catalogue without notice.

Basic Bearing No.	Preferred Shoulder Diameters			Basic Load Ratings		Effective Load Center	Limiting Speeds		Bearing Weight (Approx.)				
	da (min)	db (max)	Da (max)	Cr	Cor		a	Grease rpm	Oil rpm	Weight lbs	Weight kg		
	mm	inch	mm	inch	mm	inch	KN	KN	mm				
30302	20.5	0.807	22.0	0.866	36.5	1.437	23.2	21.6	9.6	9900	13000	0.207	0.094
30303	22.5	0.886	24.0	0.945	41.5	1.634	28.9	27.2	10.4	9000	12000	0.284	0.129
30304	31.0	1.220	27.0	1.063	44.0	1.732	35.5	34.0	11.1	8000	11000	0.363	0.165
30305	33.5	1.319	34.0	1.339	54.0	2.126	48.5	48.1	13.0	6700	8900	0.579	0.263
30306	38.5	1.516	40.0	1.575	63.5	2.500	60.0	63.1	15.3	5700	7600	0.851	0.387
30307	45.0	1.772	45.0	1.772	71.5	2.815	75.3	82.6	16.8	5000	6700	1.133	0.515
30308	50.0	1.969	52.0	2.047	81.5	3.209	91.5	107.6	19.5	4400	5900	1.643	0.747
30309	55.0	2.165	59.0	2.323	91.5	3.602	111.0	129.8	21.3	4000	5300	2.165	0.984
30310	62.0	2.441	65.0	2.559	100.0	3.937	133.0	152.0	23.0	3600	4800	2.882	1.310
30311	67.0	2.638	71.0	2.795	110.0	4.331	155.0	179.0	24.5	3300	4400	3.652	1.660
30312	74.0	2.913	77.0	3.031	118.0	4.646	183.0	214.0	26.5	3000	4000	4.532	2.060
30313	79.0	3.110	83.0	3.268	128.0	5.039	203.0	238.0	28.5	2800	3700	5.610	2.550
30314	84.0	3.307	89.0	3.504	138.0	5.433	230.0	272.0	30.0	2600	3500	6.732	3.060
30315	89.0	3.504	95.0	3.740	148.0	5.827	255.0	305.0	32.0	2400	3200	7.854	3.570
30316	94.0	3.701	102.0	4.016	158.0	6.220	297.0	350.0	34.0	2300	3000	9.702	4.410
30317	103.0	4.055	107.0	4.213	166.0	6.535	305.0	365.0	35.5	2100	2900	11.440	5.200
30318	108.0	4.252	113.0	4.449	176.0	6.929	270.0	320.0	37.5	1940	2640	13.266	6.030
30319	113.0	4.449	118.0	4.646	186.0	7.323	296.0	355.0	40.0	1900	2530	15.356	6.980
30320	118.0	4.646	127.0	5.000	201.0	7.913	365.0	445.0	41.5	1800	2400	18.832	8.560
30321	126.0	4.961	133.0	5.236	211.0	8.307	455.0	565.0	43.2	1700	2300	20.988	9.520
30322	131.0	5.157	143.0	5.630	226.0	8.898	485.0	595.0	45.1	1600	2200	24.251	11.000
30324	141.0	5.551	154.0	6.063	246.0	9.685	535.0	655.0	50.0	1500	2000	30.644	13.900

32000 Series

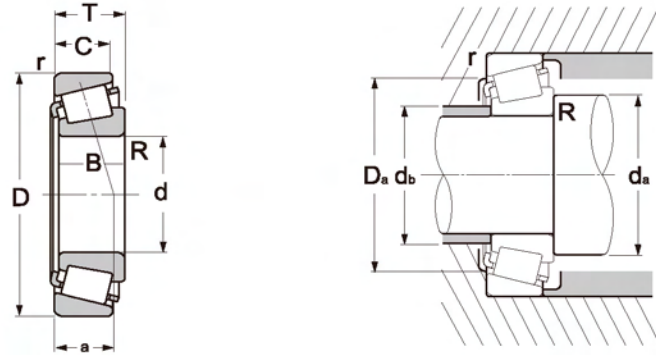


Basic Bearing No.	Nominal Bearing Dimensions						Preferred Shoulder Diameters							
	d		D		T		B		C		r1 (Min Inner Ring)		r2 (Min Out Ring)	
	mm	inch	mm	inch	mm	inch	mm	inch	mm	inch	mm	inch	mm	inch
32004	20	0.7874	42	1.6535	15	0.5906	15	0.5906	12.0	0.4724	0.6	0.024	0.6	0.024
32005	25	0.9843	47	1.8504	15	0.5906	15	0.5906	11.5	0.4528	0.6	0.024	0.6	0.024
32006	30	1.1811	55	2.1654	17	0.6693	17	0.6693	13.0	0.5118	1.0	0.039	1.0	0.039
32007	35	1.3780	62	2.4409	18	0.7087	18	0.7087	14.0	0.5512	1.0	0.039	1.0	0.039
32008	40	1.5748	68	2.6772	19	0.7480	19	0.7480	14.5	0.5709	1.0	0.039	1.0	0.039
32009	45	1.7717	75	2.9528	20	0.7874	20	0.7874	15.5	0.6102	1.0	0.039	1.0	0.039
32010	50	1.9685	80	3.1496	20	0.7874	20	0.7874	15.5	0.6102	1.0	0.039	1.0	0.039
32011	55	2.1654	90	3.5433	23	0.9055	23	0.9055	17.5	0.6890	1.5	0.059	1.5	0.059
32012	60	2.3622	95	3.7402	23	0.9055	23	0.9055	17.5	0.6890	1.5	0.059	1.5	0.059
32013	65	2.5591	100	3.9370	23	0.9055	23	0.9055	17.5	0.6890	1.5	0.059	1.5	0.059
32014	70	2.7559	110	4.3307	25	0.9843	25	0.9843	19.0	0.7480	1.5	0.059	1.5	0.059
32015	75	2.9528	115	4.5276	25	0.9843	25	0.9843	19.0	0.7480	1.5	0.059	1.5	0.059
32016	80	3.1496	125	4.9213	29	1.1417	29	1.1417	22.0	0.8661	1.5	0.059	1.5	0.059
32017	85	3.3465	130	5.1181	29	1.1417	29	1.1417	22.0	0.8661	1.5	0.059	1.5	0.059
32018	90	3.5433	140	5.5118	32	1.2598	32	1.2598	24.0	0.9449	2.0	0.079	1.5	0.059
32019	95	3.7402	145	5.7087	32	1.2598	32	1.2598	24.0	0.9449	2.0	0.079	1.5	0.059
32020	100	3.9370	150	5.9055	32	1.2598	32	1.2598	24.0	0.9449	2.0	0.079	1.5	0.059
32021	105	4.1339	160	6.2992	35	1.3780	35	1.3780	26.0	1.0236	2.5	0.098	2.0	0.079
32022	110	4.3307	170	6.6929	38	1.4961	38	1.4961	29.0	1.1417	2.5	0.098	2.0	0.079
32024	120	4.7244	180	7.0866	38	1.4961	38	1.4961	29.0	1.1417	2.5	0.098	2.0	0.079
32026	130	5.1181	200	7.8740	45	1.7717	45	1.7717	34.0	1.3386	2.5	0.098	2.0	0.079
32028	140	5.5118	210	8.2677	45	1.7717	45	1.7717	34.0	1.3386	2.5	0.098	2.0	0.079
32030	150	5.9055	225	8.8583	48	1.8898	48	1.8898	36.0	1.4173	3.0	0.118	2.5	0.098
32032	160	6.2992	240	9.4488	51	2.0079	51	2.0079	38.0	1.4961	3.0	0.118	2.5	0.098
32034	170	6.6929	260	10.2362	57	2.2441	57	2.2441	43.0	1.6929	3.0	0.118	2.5	0.098

★ We reserve the right to change specifications and other information included in this catalogue without notice.

Basic Bearing No.	Preferred Shoulder Diameters			Basic Load Ratings		Effective Load Center	Limiting Speeds		Bearing Weight (Approx.)				
	da (min)	db (max)	Da (max)	Cr	Cor		a	Grease rpm	Oil rpm	Weight lbs	Weight kg		
	mm	inch	mm	inch	mm	inch	KN	KN	mm				
32004	24.5	0.965	25	0.984	37.5	1.476	24.9	27.9	10.5	9500	13000	0.213	0.097
32005	29.5	1.161	30	1.181	42.5	1.673	27.8	33.5	12.0	8000	11000	0.251	0.114
32006	35.5	1.398	35	1.378	49.5	1.949	37.5	46.5	13.5	6900	9200	0.365	0.166
32007	40.5	1.594	40	1.575	56.5	2.224	41.5	52.5	15.5	6100	8100	0.493	0.224
32008	45.5	1.791	46	1.811	62.5	2.461	50.0	65.5	15.0	5300	7100	0.601	0.273
32009	50.5	1.988	51	2.008	69.5	2.736	57.5	76.5	16.5	4800	6400	0.761	0.346
32010	55.5	2.185	56	2.205	74.5	2.933	62.5	88.0	17.5	4400	6000	0.805	0.366
32011	63.5	2.500	63	2.480	81.5	3.209	80.5	118.0	20.0	4000	5400	1.239	0.563
32012	68.5	2.697	67	2.638	86.5	3.406	82.0	123.0	21.0	3700	5000	1.267	0.576
32013	73.5	2.894	72	2.835	91.5	3.602	83.0	128.0	22.5	3400	4600	1.386	0.630
32014	78.5	3.091	78	3.071	101.5	3.996	105.0	160.0	24.0	3200	4300	1.866	0.848
32015	83.5	3.287	83	3.268	106.5	4.193	106.0	167.0	25.5	3000	4000	2.000	0.909
32016	88.5	3.484	89	3.504	116.5	4.587	139.0	216.0	27.0	2800	3700	2.816	1.280
32017	93.5	3.681	94	3.701	121.5	4.783	142.0	224.0	28.5	2600	3600	2.970	1.350
32018	100.0	3.937	100.0	3.937	131.5	5.177	168.0	270.0	30.0	2500	3300	3.938	1.790
32019	105.0	4.134	105.0	4.134	136.5	5.374	171.0	280.0	31.5	2400	3200	4.026	1.830
32020	110.0	4.331	109.0	4.291	141.5	5.571	170.0	281.0	32.5	2200	3000	4.202	1.910
32021	120.0	4.724	115.0	4.528	150.0	5.906	204.0	340.0	34.3	2100	2800	5.467	2.480
32022	125.0	4.921	121.0	4.764	160.0	6.299	236.0	390.0	35.9	2000	2700	6.812	3.090
32024	135.0	5.315	131.0	5.157	170.0	6.693	245.0	420.0	39.7	1800	2500	7.209	3.270
32026	145.0	5.709	144.0	5.669	190.0	7.480	320.0	545.0	43.9	1700	2200	11.155	5.060
32028	155.0	6.102	152.0	5.984	200.0	7.874	330.0	580.0	46.6	1600	2100	11.729	5.320
32030	168.0	6.614	164.0	6.457	213.0	8.386	375.0	655.0	49.8	1400	2000	14.550	6.600
32032	178.0	7.008	175.0	6.890	228.0	8.976	435.0	790.0	53.0	1400	1800	17.483	7.930
32034	188.0	7.402	187.0	7.362	248.0	9.764	505.0	895.0	56.6	1300	1700	23.369	10.60

32200 Series



Basic Bearing No.	Nominal Bearing Dimensions						Preferred Shoulder Diameters							
	d		D		T		B		C		r1 (Min Inner Ring)		r2 (Min Out Ring)	
	mm	inch	mm	inch	mm	inch	mm	inch	mm	inch	mm	inch	mm	inch
32203	17	0.6693	40	1.5748	17.25	0.6791	16	0.6299	14	0.5512	1.0	0.039	1.0	0.039
32204	20	0.7874	47	1.8504	19.25	0.7579	18	0.7087	15	0.5906	1.0	0.039	1.0	0.039
32205	25	0.9843	52	2.0472	19.25	0.7579	18	0.7087	16	0.6299	1.0	0.039	1.0	0.039
32206	30	1.1811	62	2.4409	21.25	0.8366	20	0.7874	17	0.6693	1.0	0.039	1.0	0.039
32207	35	1.3780	72	2.8346	24.25	0.9547	23	0.9055	19	0.7480	1.5	0.059	1.5	0.059
32208	40	1.5748	80	3.1496	24.75	0.9744	23	0.9055	19	0.7480	1.5	0.059	1.5	0.059
32209	45	1.7717	85	3.3465	24.75	0.9744	23	0.9055	19	0.7480	1.5	0.059	1.5	0.059
32210	50	1.9685	90	3.5433	24.75	0.9744	23	0.9055	19	0.7480	1.5	0.059	1.5	0.059
32211	55	2.1654	100	3.9370	26.75	1.0531	25	0.9843	21	0.8268	2.0	0.079	1.5	0.059
32212	60	2.3622	110	4.3307	29.75	1.1713	28	1.1024	24	0.9449	2.0	0.079	1.5	0.059
32213	65	2.5591	120	4.7244	32.75	1.2894	31	1.2205	27	1.0630	2.0	0.079	1.5	0.059
32214	70	2.7559	125	4.9213	33.25	1.3091	31	1.2205	27	1.0630	2.0	0.079	1.5	0.059
32215	75	2.9528	130	5.1181	33.25	1.3091	31	1.2205	27	1.0630	2.0	0.079	1.5	0.059
32216	80	3.1496	140	5.5118	35.25	1.3878	33	1.2992	28	1.1024	2.5	0.098	2.0	0.079
32217	85	3.3465	150	5.9055	38.5	1.5157	36	1.4173	30	1.1811	2.5	0.098	2.0	0.079
32218	90	3.5433	160	6.2992	42.5	1.6732	40	1.5748	34	1.3386	2.5	0.098	2.0	0.079
32219	95	3.7402	170	6.6929	45.5	1.7913	43	1.6929	37	1.4567	3.0	0.118	2.5	0.098
32220	100	3.9370	180	7.0866	49	1.9291	46	1.8110	39	1.5354	3.0	0.118	2.5	0.098
32221	105	4.1339	190	7.4803	53	2.0866	50	1.9685	43	1.6929	3.0	0.118	2.5	0.098
32222	110	4.3307	200	7.8740	56	2.2047	53	2.0866	46	1.8110	3.0	0.118	2.5	0.098
32224	120	4.7244	215	8.4646	61.5	2.4213	58	2.2835	50	1.9685	3.0	0.118	2.5	0.098
32226	130	5.1181	230	9.0551	67.75	2.6673	64	2.5197	54	2.1260	4.0	0.157	3.0	0.118
32228	140	5.5118	250	9.8425	71.75	2.8248	68	2.6772	58	2.2835	4.0	0.157	3.0	0.118

★ We reserve the right to change specifications and other information included in this catalogue without notice.

Basic Bearing No.	Preferred Shoulder Diameters			Basic Load Ratings		Effective Load Center	Limiting Speeds		Bearing Weight (Approx.)				
	da (min)	db (max)	Da (max)	Cr	Cor		Grease rpm	Oil rpm	Weight				
	mm	inch	mm	inch	mm	inch			KN	KN	mm	inch	
32203	22.5	0.886	23.0	0.906	34.5	1.358	27.3	28.3	11.5	9900	13200	0.224	0.102
32204	25.5	1.004	26.0	1.024	41.5	1.634	36.5	39.5	12.5	8800	12000	0.352	0.160
32205	30.5	1.201	31.0	1.220	46.5	1.831	42.0	47.0	14.0	7300	9810	0.411	0.187
32206	35.5	1.398	37.0	1.457	56.5	2.224	54.5	64.0	15.5	6300	8400	0.662	0.301
32207	43.5	1.713	43.0	1.693	63.5	2.500	72.5	87.0	17.5	5500	7400	1.005	0.457
32208	48.5	1.909	48.0	1.890	71.5	2.815	79.5	93.5	19.0	4900	6600	1.228	0.558
32209	53.5	2.106	53.0	2.087	76.5	3.012	82.0	100.0	20.0	4400	6000	1.335	0.607
32210	58.5	2.303	58.0	2.283	81.5	3.209	87.5	109.0	21.0	4000	5300	1.426	0.648
32211	65.0	2.559	63.0	2.480	91.5	3.602	108.0	134.0	22.5	3600	5000	1.927	0.876
32212	70.0	2.756	69.0	2.717	101.5	3.996	130.0	164.0	25.0	3400	4500	2.596	1.180
32213	75.0	2.953	75.0	2.953	111.5	4.390	159.0	206.0	27.0	3100	4200	3.476	1.580
32214	80.0	3.150	80.0	3.150	116.5	4.587	166.0	220.0	28.5	2900	4000	3.696	1.680
32215	85.0	3.346	85.0	3.346	121.5	4.783	168.0	224.0	30.0	2800	3800	3.828	1.740
32216	92.0	3.622	90.0	3.543	130.0	5.118	199.0	265.0	31.0	2600	3400	4.796	2.180
32217	97.0	3.819	96.0	3.780	140.0	5.512	224.0	300.0	33.5	2400	3200	6.050	2.750
32218	102.0	4.016	102.0	4.016	150.0	5.906	262.0	360.0	36.0	2200	3000	7.678	3.490
32219	109.0	4.291	108.0	4.252	158.0	6.220	299.0	415.0	39.0	2200	2800	9.460	4.300
32220	114.0	4.488	114.0	4.488	168.0	6.614	330.0	465.0	41.5	2000	2700	11.264	5.120
32221	123.0	4.843	120.0	4.724	178.0	7.008	380.0	540.0	44.8	1900	2500	13.779	6.250
32222	128.0	5.039	127.0	5.000	188.0	7.402	420.0	605.0	47.2	1800	2400	16.204	7.350
32224	138.0	5.433	137.0	5.394	203.0	7.992	460.0	680.0	52.0	1700	2200	19.842	9.000
32226	151.0	5.945	147.0	5.787	216.0	8.504	530.0	815.0	56.9	1500	2000	24.912	11.300
32228	161.0	6.339	159.0	6.260	236.0	9.291	610.0	920.0	60.5	1400	1900	31.526	14.300