

INSPIRED BY EFFICIENCY

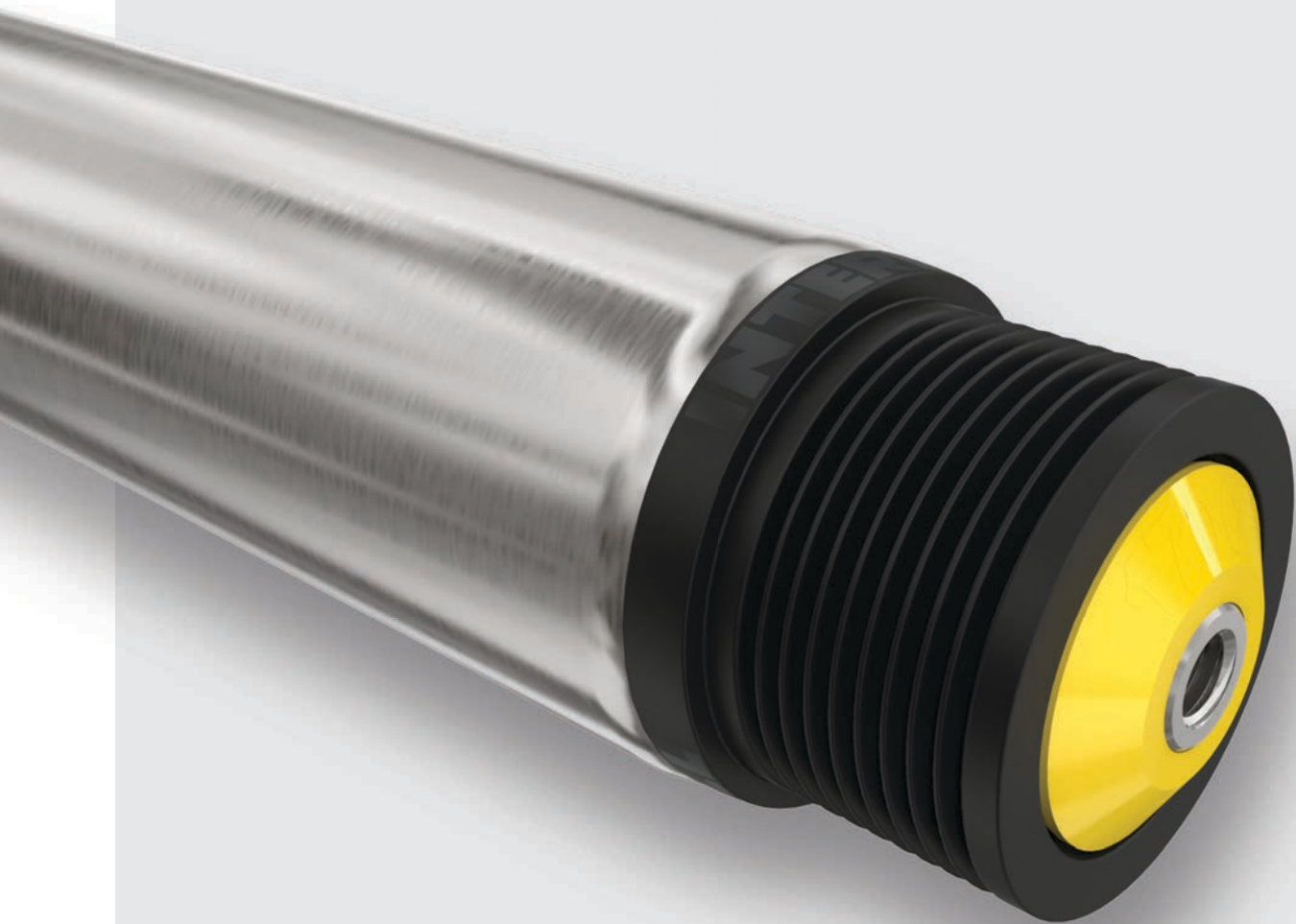


CATALOG

CONVEYOR ROLLERS

ROLLERDRIVE

CONTROLS



PRODUCT LOCATER

Products	Applications						Drive concepts					Load capacity / diameter		
	Application area		Suitable for use in deep-freeze areas	Quiet	Waterproof	Gravity	Flat belt	Round belt	Chain	Toothed belt	PolyVee belt	Max. load capacity [N]	Ø Tube [mm] (based on weight range)	Page
Products for lightweight materials 🧊🧊🧊	Gravity conveyor roller	Series 1100	Gravity conveyor application	–	●	●	–	–	–	–	–	180	16/20/30/40	40
	Slide bearing conveyor roller	Series 1500	Non-driven conveyor in moist area	●	●	●	–	–	–	–	–	50	30/50	58
	Universal conveyor roller	Series 1700 light	For universal use	●	●	–	●	–	–	–	–	150	20/30	64
	Fixed drive conveyor roller	Series 3500 light	Fixed drive conveyors	●	–	–	–	–	●	–	–	150	30	86
	Tapered fixed drive conveyor roller	Series 3500KXO light	Fixed drive curves	–	●	–	●	–	–	–	–	150	Based on 20	102
	Friction / double-friction conveyor roller	Series 3800 light	Friction conveyor	–	–	–	–	●	●	–	–	150	30	124
Products for medium-duty materials 🧊🧊🧊	Gravity conveyor roller	Series 1100	Gravity conveyor application	–	●	●	–	–	–	–	–	350	50	40
	Steel conveyor roller	Series 1200	Cold or hot environment / materials	●	–	–	●	–	–	–	–	1200	30/40/50/60/80	46
	Slide bearing conveyor roller	Series 1500	Non-driven conveyor in moist area	●	●	●	–	–	–	–	–	200	50	58
	Universal conveyor roller	Series 1700	For universal use	●	●	●	●	–	–	–	–	2000	40/50/51/60/63/80	68
	Tapered universal conveyor roller	Series 1700KXO	Curves	●	●	–	●	●	–	–	–	500	Based on 50	76
	Fixed drive conveyor roller	Series 3500	Fixed drive conveyors	●	●	●	–	●	●	●	●	2000	40/50/60/63	90
	Tapered fixed drive conveyor roller	Series 3500KXO	Fixed drive curves	●	●	–	–	●	●	–	●	500	Based on 50	106
	Adjustable / friction conveyor roller	Series 3800	Friction conveyor	–	●	–	–	●	●	●	●	3000	40/50/60	128
	Double friction conveyor roller	Series 3870	Friction conveyor for critical materials	–	●	–	–	–	●	–	–	500	50	138
Magnetic speed controller	Series MSC 50	Gravity conveyors	–	●	●	●	–	–	–	–	500	51/54	154	
Products for heavy materials 🧊🧊🧊	Heavy-duty universal conveyor roller	Series 1450	Gravity / freezer area	●	●	●	●	–	–	–	–	5000	60/80/89	52
	Universal conveyor roller	Series 1700 heavy	Universally applicable / belt idler	●	●	●	●	–	–	–	–	3000	50/51/60	82
	Fixed drive conveyor roller	Series 3500 heavy	Fixed drive conveyors	–	–	●	–	–	●	–	–	3000	60	112
	Heavy-duty conveyor roller	Series 3600	Pallet roller drive and pallet transfer	–	●	●	–	–	●	●	–	3500	80/89	118
	Double friction conveyor roller	Series 3880	Friction conveyor for critical materials	–	–	–	–	–	●	–	–	2400	80	144
	Heavy-duty conveyor roller	Series 3950	Pallet roller drive and pallet transfer	●	–	●	–	–	●	–	–	5000	80/89	148

● = suitable ● = limited suitability – = not suitable

"Inspired by Efficiency"

Smart handling of resources is mandatory for Interroll. Because we are convinced that efficiency is a fundamental value. It drives us to constantly improve products and processes. Efficiency inspires our daily activities.




"Inspired by Efficiency" means: We develop products for internal logistics that perfectly adapt to the needs of our customers.

As global market leader in technology and innovation in our industry, we believe that strengthening the business of our customers in a significant and lasting way is our responsibility. For Interroll, the key to success is the consistent pursuit of efficiency.

← **Product locator**

Product overview →

Symbols

-  Products for lightweight materials
-  Products for medium-duty materials
-  Products for heavy materials

-  Suitable for freezer area
-  Suitable for quiet applications
-  Suitable for moist areas
-  Partially suitable for freezer area
-  Partially suitable for quiet applications
-  Partially suitable for moist areas

Contents

Product overview	6
The Interroll Group	10
Interroll core products and solutions	12
General technical information	14
Rollers	40
Conveyor accessories	158
RollerDrive	200
Controls	214
Accessories	240
Planning basics	248
Index	278



www.interroll.com

The CAD drawings are available under www.interroll.com/support/cad-service.

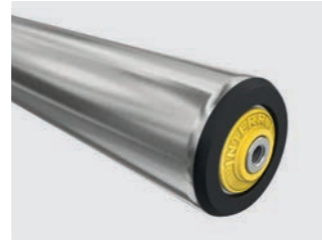
Conveyor rollers



Gravity conveyor roller
Series 1100 | page 40



Steel conveyor roller
Series 1200 | page 46



Heavy-duty universal conveyor roller
Series 1450 | page 52



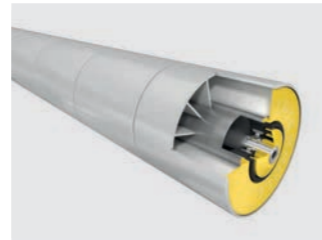
Slide bearing conveyor roller
Series 1500/1520 | page 58



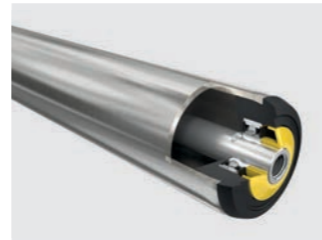
Universal conveyor roller
Series 1700 light | page 64



Universal conveyor roller
Series 1700 | page 68



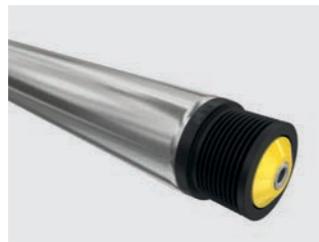
Tapered universal conveyor roller
Series 1700KXO | page 76



Universal conveyor roller
Series 1700 heavy | page 82



Fixed drive conveyor roller
Series 3500 light | page 86



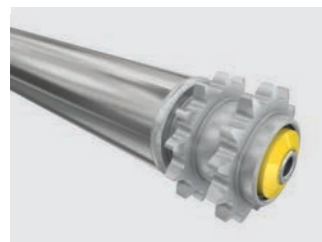
Fixed drive conveyor roller
Series 3500 | page 90



Fixed drive curve roller
Series 3500KXO light | page 102



Fixed drive curve roller
Series 3500KXO | page 106



Fixed drive conveyor roller
Series 3500 heavy | page 112



Heavy-duty conveyor roller
Series 3600 | page 118



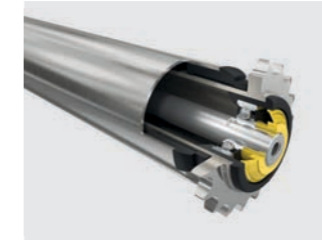
Friction conveyor roller, double friction conveyor roller
Series 3800 light | page 124



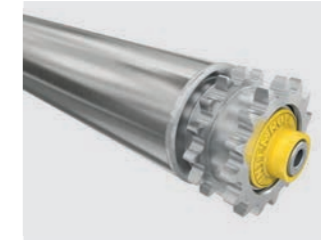
Friction conveyor roller
Series 3800 | page 128



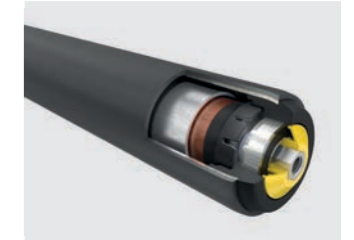
Double friction conveyor roller
Series 3870 | page 138



Double friction conveyor roller
Series 3880 | page 144



Heavy-duty conveyor roller
Series 3950 | page 148



Magnetic speed controller
Series MSC 50 | page 154

Conveyor accessories



Polymer conveyor wheel
Series 2130 | page 158



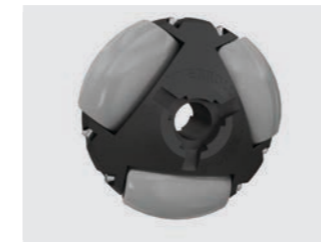
Polymer conveyor wheel
Series 2160 | page 160



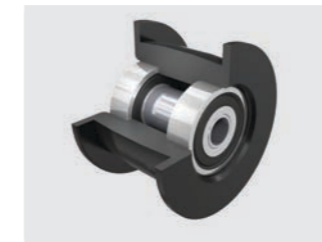
Steel conveyor wheel
Series 2200 | page 162



Polymer conveyor wheel
Series 2370 | page 164



Omniwheel
Series 2500 | page 166



Pressure roller
Series 2600 | page 168



Omnimat module
Series 2800 | page 172



Steel ball transfer unit
Series 5000 | page 174



Polymer ball transfer unit
Series 5500 | page 180



Wheel track
Floway Series | page 184



Wheel track
Series BU40 | page 186



Roller track
Series BU50 | page 192

24-V motor rollers



RollerDrive
EC310 | page 198



RollerDrive
EC310 DF | page 204



RollerDrive
EC310 IP66 | page 208

Controls for 24-V motor rollers



DriveControl 20 | page 212



DriveControl 54 | page 216



ZoneControl | page 220



ConveyorControl | page 224



MultiControl | page 230

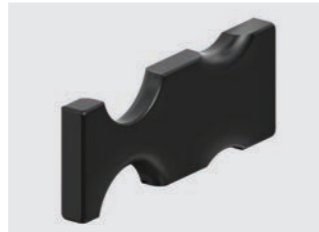


PowerControl | page 234

Accessories for rollers



PolyVee belt | page 238



PolyVee tensioning device |
page 239



PolyVee finger guard | page 239

Accessories for 24-V motor rollers



RollerDrive EC310 fastening
socket | page 240



RollerDrive EC310 extension
cable | page 240



RollerDrive EC310 counter
wrench | page 240

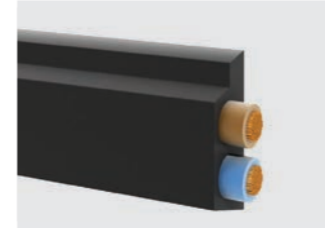


AdControl | page 245

Accessories for controls



Magnetic key | page 245



Flat cable for voltage supply |
page 241



ConveyorControl communication
cable | page 241



MultiControl communication
cable | page 242



MultiControl Y-cable | page 242



ConveyorControl termination
box | page 244

The Interroll Group is a globally leading supplier of high-quality key products and services for internal logistics. The company, which is listed on the stock exchange and has its headquarters in Switzerland, employs some 2100 people in 32 companies around the globe.



-  Holding
-  Sales, Production & Service
-  Global Competence Centers
-  Regional Competence Centers



The solutions for our customers' daily logistical challenges are based on Interroll key products that are built on a worldwide common platform.



Conveying

Versatile and reliable core products ensure a dynamic, efficient material handling across all continents and in all industries:

- Conveyor rollers
- 24 V motor rollers (RollerDrive)
- Controls for RollerDrive
- Drum motors and idler pulleys
- Pallet drive and control (Pallet Drive and Pallet Control)

They are used to convey, accumulate, feed or remove goods. Powered or with the force of gravity. With or without dynamic pressure. Easy-to-install drive solutions for new plants or for refurbishing existing plants. Excellent products that will pay for themselves and that you can rely on. In every respect.



Transporting and distributing

Millions of different individual items travel through the world's flow of goods every day and must be delivered on time to the correct destination. This is a trend that requires a performance-based logistics system with efficient material handling systems. Interroll's innovative conveyor modules and subsystems are always ready for key locations in customers' systems:

- Crossbelt sorters
- Belt curves and belt merges
- Conveyor modules with zero-pressure accumulation
- Roller conveyors
- Belt conveyors

Precisely pre-assembled and rapidly delivered for fast, simple integration into the complete system on site (plug and play). The conveyor modules and subsystems provide users with key assurances: excellent availability whilst being easy to use; outstanding efficiency even at low throughput volumes; efficient investment with a short period of return on investment; adaptability in the event of change.

Storage and picking

Economical and user-friendly: the dynamic storage solution that operates without power. It is designed for fast-moving goods (e.g. groceries) that have to be quickly picked and immediately conveyed to consumers. The principle is as simple as it is ingenious. It is known as FIFO, First In – First Out, and guarantees that what has been stored first is also picked first. Or LIFO, Last In – First Out, when the pallet stored last is picked first. It means making maximum use of minimum space. The needs of our customers are as diverse as our products, therefore our

- Pallet Flow
- Carton Flow

peripheral subsystems offer unlimited design options. The picking times can scarcely be beaten. The return on investment for the operator is two to three years and is integrated into "Just in Time".



Platforms

Interroll Conveyor Roller Series are arranged into five so-called platforms. Each platform is characterized by a certain type of bearing and certain materials – the two key factors for the operation and application possibilities of the products.

The following applies within a platform:

- The bearings and materials for the bearing housing and seal are identical
- The size of the bearings may differ
- The versions are produced by the combination of shaft / tube dimensions and drive heads as well as the materials

Platform 1100



Associated roller series		Catalog page
Gravity conveyor roller	1100	page 40
Polymer conveyor wheel	2130	page 158
Polymer conveyor wheel	2370	page 164
Wheel track	BU40 with polymer wheels	page 186

Application

- For gravity applications
- Particularly smooth operation of conveyor rollers
- Stainless steel version suitable for moist areas
- For lightweight and medium-heavy materials to be conveyed
- Not suitable for drive conveyors

Properties

Platform 1100 provides for cost-effective solutions and is particularly suitable for gravity applications under normal ambient temperatures.

For information about properties and application areas of the polymers used, please refer to the chapter Material Specification page 290.

Bearings and materials

The bearing is made of polymer with balls made of uncoated steel or stainless steel. The outer ring and inner cone of the bearing are made of polypropylene. The bearings are lubricated with a food-safe grease.

Platform 1200



Associated roller series		Catalog page
Steel conveyor roller	1200	page 46
Steel conveyor wheel	2200	page 162
Wheel track	BU40 with steel rollers	page 186

Application

- For temperature ranges outside of the limits for polymer
- For lightweight and medium-heavy materials to be conveyed
- For driven and non-driven conveyors

Properties

Platform 1200 is specifically designed for use in extreme ambient temperatures. All versions are antistatic.

Bearings and materials

The pressed steel bearing seats and internal rings of the ball bearing are hardened and galvanized zinc-plated. The shape of the ball bearing is designed specifically for conveyor rollers and tolerates greater deflection of the bearing than comparable precision ball bearings.

Platform 1450



Associated roller series		Catalog page
Heavy-duty universal conveyor roller	1450	page 52
Heavy-duty conveyor roller	3600	page 118
Double friction conveyor roller	3880	page 144
Heavy-duty conveyor roller	3950	page 148

Application

- For particularly heavy-duty loads and heavy individual loads
- Suitable for extreme temperatures with steel bearing housings
- For driven and non-driven conveyors

Properties

Platform 1450 is specifically designed for high loads caused by heavy individual weights. One version is available for freezer applications. The drive elements made of technopolymers are designed to be twist-proof with a form-fit connection with the tube. The steel drive heads and flanges are all galvanized zinc-plated after being welded to the tube for optimum corrosion protection. All of the welds run right around the tube, not just in certain areas. For information about properties and application areas of the polymers used, please refer to the chapter Material Specification page 290.

Bearings and materials

The standard version bearings are precision ball bearings 6205 2RZ or 6204 2RZ. Depending on the series, the drive elements, such as sprockets or toothed belt drive heads, are made of fiberglass-reinforced polyamide and polyoxymethylene or steel. The bearing housing on the non-driven side and the seals are made of polyamide.

Platform 1500



Associated roller series		Catalog page
Slide bearing conveyor roller	1500	page 58
Omniwheel	2500	page 166
Omnimat module	2800	page 172
Wheel track	Floway	page 184

Application

- For wet and hygienic areas
- For lightweight and medium-heavy materials to be conveyed
- For driven and non-driven conveyors

Properties

Platform 1500 is specifically designed for use in hygienic areas and in areas at risk of corrosion. All of the bearing housings are sealed internally so that liquids or other substances cannot penetrate the rollers. The conveyor rollers can be cleaned with conventional detergents. For information about properties and application areas of the polymers used, please refer to the chapter Material Specification page 290.

Bearings and materials

The bearings are designed as slide bearings and are made of polymer (polyoxymethylene with the addition of polytetrafluorethylene (PTFE)) with a stainless steel shaft pin. The materials and surfaces of the bearing pair are aligned to each other so that the bearings can run dry without lubrication. The tubes are made of polymer or stainless steel. All of the materials are completely corrosion-proof.

Platform 1700



Application

- For universal use
- For particularly quiet conveyance at high speeds
- For lightweight and medium-heavy materials to be conveyed
- For driven and non-driven conveyors

Properties

Platform 1700 is designed for high loads at very low noise levels and provides the ultimate in flexibility with its different drive options. The bearing design comprising polyamide bearing housing, precision ball bearing and a polypropylene or polyamide seal produces an extremely quiet conveyor roller, which can simultaneously carry heavy loads. Bearing housings and belt drive heads are installed in the tubes in a form-fit way (flanging for steel tube and press-in edge for polymer tube). The unique feature about this platform 1700 is the tapered shaft-shuttle, which combines the benefits of a female threaded shaft and a spring-loaded shaft (cf. shaft-shuttle shaft design page 20).

For information about properties and application areas of the polymers used, please refer to the chapter Material Specification page 290.

Bearings and materials

Sealed DIN precision ball bearings 6002 2RZ, 689 2Z and 6003 2RZ are used. They are greased with a silicon-free lubricant and have a secure bearing housing in the base of the roller thanks to a snap-on edge. In addition, the ball bearing 6002 2RZ is oiled or available in a stainless steel design. The integral polypropylene seal is fixed in the internal ring of the ball bearing and has three functions: Protection of the ball bearing against coarse dirt and splashing water, diameter compensation of shaft and internal ring as well as diverting axial forces into the ball bearing.

Associated roller series		Catalog page
Universal conveyor roller	1700 light	page 64
Universal conveyor roller	1700	page 68
Tapered universal conveyor roller	1700KXO	page 76
Universal conveyor roller	1700 heavy	page 82
Pressure roller	2600	page 168
Fixed drive conveyor roller	3500 light	page 86
Fixed drive conveyor roller	3500	page 90
Fixed drive curve roller	3500KXO light	page 102
Fixed drive curve roller	3500KXO	page 106
Fixed drive conveyor roller	3500 heavy	page 112
Friction conveyor roller, double friction conveyor roller	3800 light	page 124
Friction conveyor roller	3800	page 128
Double friction conveyor roller	3870	page 138
Roller track	BU50	page 192
Magnetic speed controller	MSC 50	page 154
RollerDrive	EC310	page 198

Platform 5000



Associated roller series		Catalog page
Steel ball transfer unit	5000	page 174
Polymer ball transfer unit	5500	page 180

Application

- For pushing, e.g. of steel or wooden plates
- For aligning medium-heavy and heavy materials

Properties

The platform 5000 is designed for omni-directional pushing or aligning of medium-heavy and heavy materials. The series differ in the following features:

- Housing design
- Fastener
- Material of housing
- Material of support balls
- Material of main balls
- Load capacities

Bearings and materials

The principle of the ball roller consists of several small support balls that support a larger main ball. The main ball can be made of polymer or steel, depending on the series. The housing can be of polyamide or steel.

Bearings

Interroll utilizes different bearings, such as slide bearings or special ball bearings made of polypropylene with steel balls. However, the following section describes only the precision ball bearings used by Interroll.

Further information on the bearing assemblies (ball bearings with bearing housings and seals) is provided in the Platforms chapter (page 14) and under Material Specification (page 290).

All precision ball bearings used are designed as 2RZ, except for type 689. The steel sealing discs form a narrow sealing gap, but are non-contacting. They ensure an optimal startup of the roller. The steel-reinforced rubber sealing lips (NBR) lie against the inner ring under external pressure and thus provide an exceptional sealing quality comparable to the 2RS version. The oil-lubricated version is characterized by its easy start and exceptional easy-running properties.

Precision ball bearings in accordance with DIN 625 have the following properties:

- Series 689, 60 and 62 standard DIN grooved ball bearings
- Excellent load capacity and operational life
- Precision ball race
- Extremely temperature-resistant
- Low-noise operation
- With stainless steel design: manufactured throughout from corrosion-proof material

All precision ball bearings are specified by Interroll beyond the requirements of DIN 625 for optimum, durable and constant operation. Interroll specifies the bearing play, lubrication and sealing etc.



Shafts

Shaft material

Interroll offers shafts made of three different materials or finishings:

- Uncoated steel
- Zinc-plated steel
- Stainless steel

All shafts are manufactured from cold-drawn steel. Interroll recommends to match the shaft material to the material of the side profile.

Zinc-plated shafts are cut from galvanized zinc-plated rod material, thus the front faces of the female threaded or spring-loaded shafts are always without zinc plating.

Male threaded shafts cannot be zinc-plated, otherwise they pose a risk of blocked threads due to the zinc layer. For this reason, Interroll recommends selecting either male threaded or flatted shafts in stainless steel to obtain adequate corrosion protection.

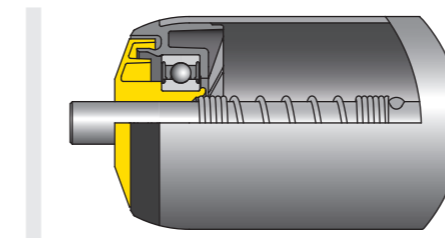
Manufacturing process

After the sawing process, the shafts are milled. Milling reduces deformations of the shaft ends or damages on the side profile during installation to a minimum. Furthermore, milling removes sharp burrs, thereby ruling out a risk of injuries. Hence, this creates not only safe, but also perfectly manageable rollers.

For threaded holes, the centering holes are drilled in a first step to ensure precisely centered threaded holes in the shaft.

Versions

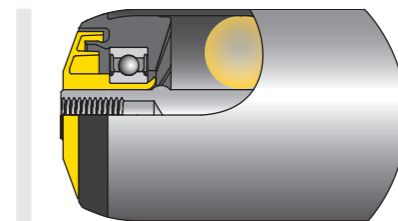
Spring-loaded shaft



Spring-loaded shafts can be manufactured from round material or hex material.

- Simple shaft design
- Very fast and simple installation and removal
- Suitable crosslinks have to be provided between the side profiles to reinforce the conveyor.
- With driven rollers, play between the shaft and the mounting hole (inevitably due to oblique installation) will create noise, particularly when starting and stopping the turning motion (especially at hex shafts).
- Depending on the selection of material pairing (shaft / side profile) and dimensions (size of hole and spring-loaded shaft), it may lead to wear of the shaft (hexagon loses its edges) or the side profile.
- Shield for zinc-plated shaft material is not zinc-plated

Female threaded shaft



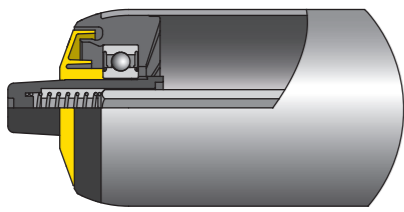
Female threaded shafts can be manufactured from round material or hex material.

- Lead to a very stable frame construction – generally, no use of crosslinks is required
- A firm connection causes a lot less noise than shafts that are not firmly screwed together.
- The roller shaft and side profile stabilize each other resulting in the conveyor rollers having a greater load capacity than loosely fitted rollers.
- Wear-free towards spring-loaded shafts due to firm connection in the side profile
- Medium-fast installation and removal
- Shield for zinc-plated shaft material not zinc-plated
- Safe discharge of static charges (anti-static design)

Interroll offers the following threads and thread depths:

Thread	Thread depths [mm]
M5	12
M6	15
M8	15
M10	20
M12	20, 25
M16	25

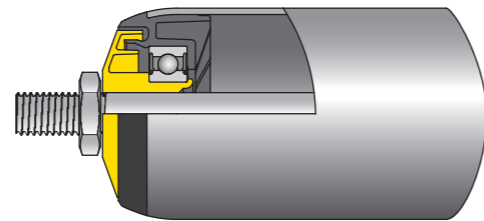
Shaft with shaft-shuttle



Shafts with shaft-shuttle are made of 8-mm hex material. Both ends are fitted with the shaft-shuttle made of polyamide. The conical shaft-shuttle reduces the hex surface towards the shaft end.

- Very fast and simple installation and removal
- Similar low noise level as female threaded shafts
- Wear-free towards spring-loaded shafts due to zero-clearance seating of the shaft free in the side profile (11 mm hex hole, +0.3 / +0.8 mm)
- Anti-static version
- Particularly suited for modernizing systems; side profiles that have been in use for a long time generally show high tolerances in the holes
- Evenly aligned, anti-rotation shuttles (positioning one side is sufficient)
- Both shaft ends can be pushed in
- Suitable crosslinks have to be provided between the side profiles to reinforce the conveyor
- No scratching of high-quality side profiles during installation and removal

Male threaded shaft

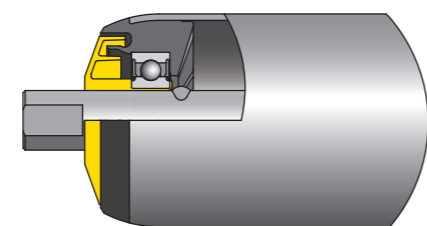


Male threaded shafts are made of round material.

Male threaded shafts feature a thread cut onto the shaft ends. In each case, a nut is screwed onto the shaft in front of the seal. The two nuts are subtracted from the dimension of the "lane width" during the production of the roller. They shorten the usable length of the roller compared to rollers with female threaded shafts.

- A firm connection causes a lot less noise than shafts that are not screwed together
- Very stable frame construction – generally, no use of crosslinks is required
- The roller shaft and side profile stabilize each other resulting in the conveyor rollers having a greater load capacity than loosely fitted rollers.
- Wear-free towards spring-loaded shafts due to firm connection in the side profile
- The two nuts at the seal and two nuts with washers for fastening are part of the scope of delivery
- Available only in the versions uncoated steel or stainless steel

Flatted shaft

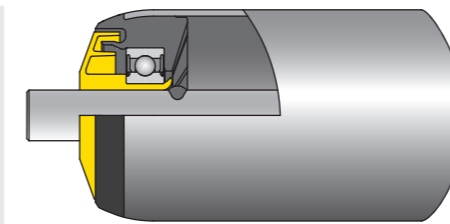


Flatted shafts are made of round material. They have two lateral, parallel milled sections at the shaft ends, which fit into corresponding side profile holes, e.g. into side profiles with open longitudinal holes.

- Very fast and simple installation and removal
- Suitable crosslinks have to be provided between the side profiles to reinforce the conveyor.
- Lower noise level than spring-loaded shafts since only minor play is required (no oblique installation)

A flat shaft can be created on both sides as well as on one side only (D shaft). The flat shaft can be defined in increments of 0.5 mm. Minimum and maximum dimensions depend on the selected shaft diameter.

Fixed shaft



Fixed shafts can be manufactured from hexagon or round material. It is possible to fit the round shafts with a flat shaft. The shafts are mostly inserted in fastening holes in the side profile that are open at the top. To rule out that the shaft turns inside the guide of the side profile, Interroll recommends the use of hexagon shafts or round flatted shafts in corresponding side profiles intended for this purpose.

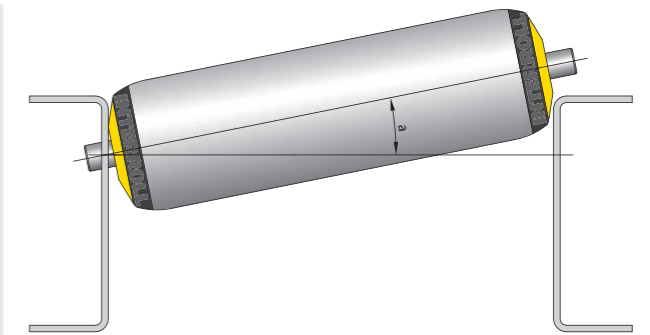
- Shields, or flat shafts if needed, are not zinc-plated for zinc-plated shaft material.
- Simple shaft design
- Very fast and simple installation and removal with fastening holes open to the top
- Suitable crosslinks have to be provided between the side profiles to reinforce the conveyor
- With driven rollers, play between the shaft and the mounting hole will create noise, particularly when starting and stopping the turning motion. For this reason, Interroll recommends the lowest play possible.

Installation instructions

The following should be considered in relation to the selection of a shaft and construction of the side profiles:

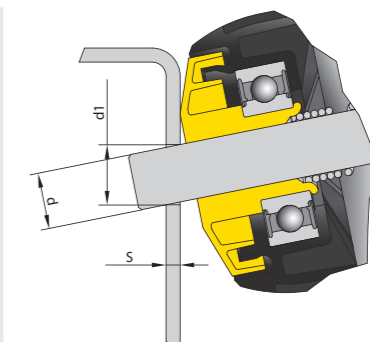
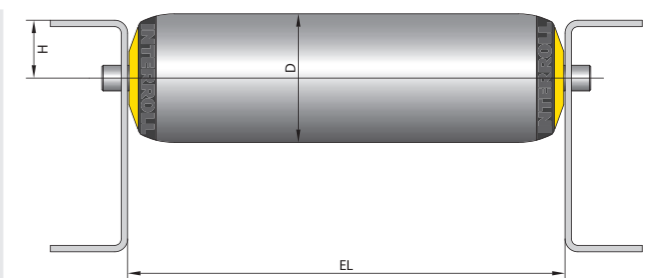
1. The hole dimension of the side profile should be as small as possible on conveyor rollers with female threaded shafts. Larger holes can lead to a higher tolerance of the roller pitch and to the height differences of several conveyor rollers. The function of the roller conveyor can be affected by the hole and screw selection.
2. For softer side profiles made out of aluminum or thick powder coatings, female threaded shafts should always be selected with the largest possible diameter and the smallest possible thread. This minimizes the risk of the shaft penetrating the aluminum profile.

3. The installation of conveyor rollers with spring-loaded shaft must be done in an oblique way. That is the spring-loaded shaft must be inserted in a hole of the side profile. Afterwards, the other roller end is moved from an oblique to a horizontal position. The spring-loaded shaft can be inserted into the hole on the opposite side only in the horizontal position. Too small a hole could make installation significantly more difficult.



The following formula and the drawings should provide support in sufficiently dimensioning the fastening hole. For this purpose, an oversize of 0.5 mm of d1 compared to the shaft diameter is sufficient in most cases.

$$d1 = \frac{S \cdot (H + D/2)}{(EL - 1)} + d$$



Scope of delivery

Material required for fastening the rollers is not part of the scope of delivery, such as washers, nuts, screws.

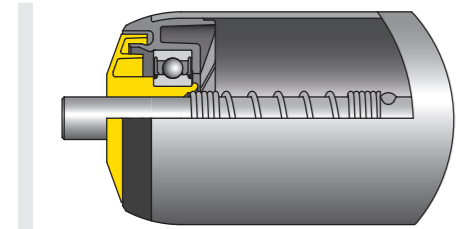
Exceptions

Product	Scope of delivery
Rollers with male threaded shafts	Nuts and washers
Rollers of series 3500KXO light	Taper disks and ball sockets

Labeling

All shafts starting with a length of 100 mm are labeled with the respective production order number. The number is located on the shaft inside the tube. It allows users to order an identical roller without having to provide information about the product, such as the length.

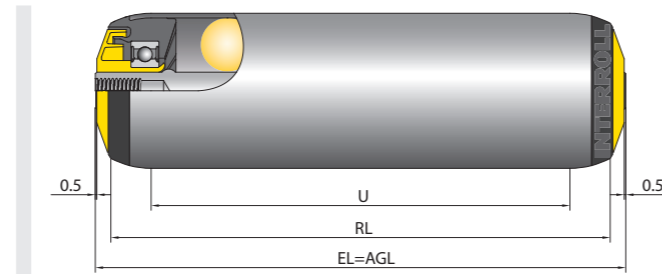
Axial play



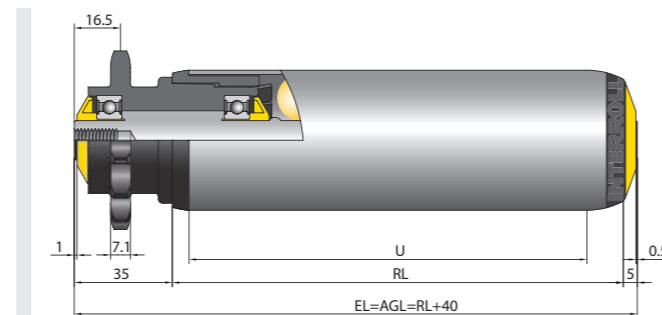
Conveyor rollers must not be warped during installation or operation. This means that play must exist between the seal of the roller and the side profile. The roller must move in axial direction under load.

The axial play must not be too high. Rollers with tapered shaft-shuttle or RollerDrive with tapered spring-loaded shaft are designed so that they have the best possible fit for the hole in the side profile, even in cases of high hole tolerances. This reduces wear and possible noise. If the axial play is too high, it may pose the risk of insufficient positioning of the hexagon in the hole, which leads to wear and noise.

The maximum play is already taken into account during the manufacture of the rollers.



Example: At the time of ordering, a lane width (EL = installation length) of 500 mm is specified for a roller of series 1700 with female threaded shaft. The dimension from seal to seal measures approx. 499 mm. Hence, the roller has an axial play of approx. 1 mm (see figure above).



The axial play under consideration depends on roller series and roller version. For example, an axial play of approx. 1 mm on the drive side and 0.5 mm on the other side is taken into account for a roller of series 3500 with sprocket head (see figure above).

The axial play stated is only a guide value. There may be slight deviations from this figure in individual cases when production tolerances are added. The function of a correctly installed and used conveyor roller is not being impacted.

Variable shaft length

A deviation of the standard shaft length is possible for all roller series. The shafts can be shortened or lengthened. The axial support of a roller via the seal must be ensured at all times. For some roller series, this requires taking appropriate measures in case of a shaft lengthening.

A length change is possible for the following shaft versions:

- Female threaded shaft
- Male threaded shaft
- Fixed shaft
- Spring-loaded shaft
- Flatted shaft

The length changes depend on the actual shaft version. Please direct any questions to your Interroll contact person. Axial support by the seal may no longer be guaranteed with a length change. With greater axial forces, e.g. where there is lateral displacement, suitable replacement structures, such as spacing tubes, may have to be fitted.

With female threaded shafts, the shaft can be lengthened only if the seal is given an axial support. Depending on the thread and shaft diameter, a retaining ring can be inserted. The retaining ring is secured via a groove incorporated in the shaft. The combination of a female threaded shaft with flatted shaft also requires a support of the seal.

In case of a shaft lengthening, the maximum load capacity of the roller is reduced compared to the values that are specified for each side.

Shaft adapter

The shaft adapter is a conductive polymer component that can be pressed onto roller shafts. It can be inserted in side profiles with open elongated holes. In this case, the roller is placed from the top. The shaft adapter significantly reduces the noise level compared to the pure steel shaft and increases the installation length of the roller. The shaft adapter is not an alternative to the tapered shaft-shuttle (page 20).

Technical data

Material	Polyoxymethylene, RAL9005 (jet black)
Temperature range	0 to + 40 °C
Suitable shafts	Fixed round shafts (Ø 8 and 10 mm)
Anti-static version	< 10 ⁶ Ω
Max. static load of a roller with the use of shaft adapters	See load capacity in the corresponding table (load capacity is not reduced by shaft adapter)

Design versions

Shaft diameter [mm]	Drawing	Longer installation length [mm]
8		+5
10		+4

- 1 Adapter 11 HEX (hexagon)
- 2 Adapter flat shaft 12

The shaft adapter can be used with the following roller series:

- Series 1100
- Series 1700
- Series 3500 (for drive heads for belts)

Tubes

Tube materials / tube diameters

Steel / stainless steel

The steel tubes used by Interroll are manufactured in accordance with DIN EN 10305-1, DIN EN 10305-3 and DIN EN 10305-7, but with stricter tolerance specifications.

The roller manufacturing and transport may result in minor scoring or scratches to appear on the tube surface. However, they do not have any effect on the functionality of the roller.

Benefits

- Highest resistance and bending stiffness
- Steel – corrosion protection through zinc-plating, chrome-plating or carbonitriding
- Stainless steel – very good and long-life corrosion protection
- Stainless steel – Application also possible in aggressive environments (not suitable for seawater)
- Sprockets and flanges can be welded on (flanges not together with stainless steel tube)
- Steel tubes can be flanged over the bearing assembly so that the bearing housing can no longer move out (not for carbonitrided or chrome-plated tube as well as tubes with a wall thickness greater than 1.5 mm)

Versions

- With grooves (not for carbonitrided and chrome-plated tube)
- Covered with PVC or PU sleeve
- With lagging
- With pushed-on tapered elements
- With flanges welded on

When used in belt conveyors, there is noise caused by the pored tube welds coming into contact with the belt. Interroll recommends testing the relevant application.

Aluminum

Aluminum tubes have slightly lower strength and only about 33 % of the flexural strength of steel tubes. However, they weigh only 36 % of the weight of comparable steel tubes.

Benefits

- Significantly lighter than steel tube
- Corrosion-resistant
- Aluminum tubes can be flanged over the bearing assembly so that the bearing housing can no longer move out

Versions

- Covered with PVC or PU sleeve
- With pushed-on tapered elements

Ø Rollers [mm]	Anodized surface	Anti-static version
16	Yes	No
20	Yes	No
50	No	Yes

PVC

Benefits

- Noise-dampening
- Highly impact-resistant
- Very lightweight
- Corrosion-resistant, no surface treatment required
- Easy to clean

Polymer tubes have a significantly lower load capacity compared with steel and aluminum tubes with the same diameter. With polymer tubes with a diameter of 30 mm and larger, the bearing assemblies are connected form-fit with the tube so that an absolutely safe seating is ensured.

An ambient temperature range from -5 to +40 °C applies to polymer tubes. With a high ambient temperature (from 30 °C) and high continuous static load (over hours), a permanent deformation of the rollers cannot be ruled out.

When dimensioning the rollers for an existing width between the side profiles (lane width), a thermal expansion must be taken into account. In case of large temperature differences, the length of the roller changes based on the following formula:

$$\Delta L T = \frac{0,08 \cdot L \cdot \Delta T}{1000}$$

- ΔLT = change in length due to temperature change (mm)
- ΔT = temperature difference (°C)
- L = tube length (mm)

A proper functioning requires that a warping of the roller at high temperature is being avoided.

Versions

- Covered with PVC or PU sleeve

Polymer tubes are available in the following colors:

Color	RAL number	Ø Tube [mm]
Stone gray	7030	16, 20, 30, 40, 50, 63
Graphite gray	7024	20
Sky blue	5015	50, 63

Tube diameter

The following overview lists all available shell diameters and their wall thicknesses. The respective shell series chapter describes which diameter is available in which material.

Ø Tube [mm]	Wall thicknesses [mm]
16	1.0
20	1.5
30	1.2; 1.8
40	1.5; 2.3
50	1.5; 2.8; 3.0
51	2.0
60	1.5; 2.0; 3.0
63	3.0
80	2.0; 3.0
89	3.0

Finishing of shell materials

Material	Surface finishing
Steel	Zinc-plating
Steel	Chrome-plating
Steel	Carbonitriding
Aluminum	Anodizing

Zinc-plating

Galvanized zinc-plating of steel tubes is a cost-efficient corrosion protection.

Application

- For dry application areas with normal temperatures
- Conditional suitability for environments with salt and humidity, e. g. installations in harbor areas or in sub-tropical countries
- Conditional suitability in applications with moist or wet materials

Besides zinc-plated tubes, Interroll also offers zinc-plated shafts and zinc-plated sprocket heads. Front sides of shafts cannot be zinc-plated.

Procedure

The surface of the steel tube material is galvanically zinc-plated (using electrolysis). The electrolysis produces an extremely even, thin sleeve. The entire process involves pre-treatment, zinc-plating, passivating and drying.

Properties

Zinc-plated tubes are suitable for flanging and applying grooves. The galvanized zinc-plating is a temporary protection of the steel tube against corrosion.

The duration of the corrosion protection is reduced by the mechanical and thermal loads to which it is subjected. Particles of the zinc layer may be carried off when transporting materials over zinc-plated steel rollers.

Zinc-plated surfaces are sensitive to scratching and abrasion. Damage can result in point corrosion.

Extreme changes in temperature must be avoided as they can cause internal tension. Furthermore, corrosion resistance becomes reduced as the temperature rises.

In order to maintain the limited protective effects of zinc-plating, special packaging must be used for sea freight, for example.

Special measures must also be employed if the materials are to be stored for a longer period of time. Zinc-plating is not food-compatible.

A zinc-plated and passivated surfaced reacts with the following substances:

- Humidity
- Acidic environment (exhaust fumes, salts, wood acid etc.)
- Alkaline substances (lime, chalk, cleaning agents, CO₂)
- Perspiration
- Solutions of other metals (copper, iron etc.)

Layer thickness	6 to 15 µm
Passivation	Additional blue passivation (chromium(IV)-free)
Standards complied with	DIN EN ISO 2081 DIN 50961 Zinc-plating according to RoHS regulations
Temperature range	-40 to +200 °C
Antistatic	Yes

The long material is zinc-plated. When the tube is sawed off, the front sides are not zinc-plated.

Chrome-plating

Bright chrome-plating of steel tubes is a corrosion protection that do not leave behind any abrasion on materials or other locations in contrast to zinc-plated tubes.

Application

- For color and abrasion-sensitive materials
- For dry application areas with normal temperatures
- The suitability for environments with salt, e.g. systems in harbor regions or subtropical countries, must be checked.
- Suitable for paper and wood industry

Procedure

The plating thickness generally measures 15 to 30 µm. The electrolysis produces an extremely even, thin sleeve.

Properties

Chrome-plated tubes are suitable for flanging or applying grooves.

The chrome-plating is a good protection of the steel tube against corrosion. The duration of the corrosion protection is reduced by the mechanical and thermal loads to which it is subjected. Damages of the chrome layer can result in point corrosion.

Extreme changes in temperature must be avoided as they can cause internal tension. In order to maintain the protective effects of chrome-plating, special packaging must be used for the rollers, e.g. for sea freight (salt water). Special measures must also be employed if the materials are to be stored for a longer period of time.

A chrome-plated surface can react with the following substances:

- Acidic environment (exhaust fumes, salts, wood acid etc.)
- Alkaline substances (lime, chalk, cleaning agents, CO₂)
- Solutions of other metals (copper, iron etc.)

Layer thickness	15 to 30 µm
Standards complied with	DIN EN ISO 1456 Chrome-plating according to RoHS regulations
Temperature range	-40 to +200 °C
Antistatic	Yes

Chrome-plating is performed on the tube section that has been cut to the correct length. This will also chrome-plate the front sides.

Carbonitriding

Carbonitriding is a wear-resistant corrosion protection for steel tubes.

Application

- For highly stressed conveyor rollers, e.g. from the transport of steel containers
- For applications where materials must be transported axially on rollers

Procedure

Carbonitriding is a thermochemical process. For this purpose, the surface of the tube is enriched with nitrogen which creates a wear-resistant ceramic coating.

Properties

Carbonitrided tubes are partially suitable (up to 1.5 mm wall thickness) for flanging, but not for the application of grooves.

The ceramic coating is a temporary protection of the steel tube against corrosion. It is resistant to scratching and chafing. Mechanical damage can result in point corrosion.

In addition, carbonitriding distinguishes itself with the following properties:

- Abrasion-resistant surfaces
- Good sliding properties
- Excellent temperature resistance
- Low warpage
- Free of scales
- Good corrosion resistance

Layer thickness	≥ 20 µm
Tube color	Aluminum color (natural)
Standards complied with	DIN 17611, DIN EN 754 / 755
Temperature range	-40 to +80 °C
Antistatic	No

The rod material is anodized. When the tube is sawed off, the front sides are not anodized.

Comparison

The different finishings of steel tube have different resisting forces compared to mechanical wear. The following table provides a factor that shows the reduction in wear of the tube surface compared to the steel zinc-plated version.

Material / finishing	Factor
Zinc-plated steel	1
Stainless steel	5
Steel chrome-plated	50
Steel carbonitrided	120

A carbonitrided surface is 120 times as resistant as a zinc-plated surface.

The ceramic coating is not food-compatible. The carbonitrided surface does not create any abrasion, but can leave color traces behind.

A carbonitrided surface can react with the following substances:

- Acidic environment (exhaust fumes, salts, wood acid etc.)
- Alkaline substances (lime, chalk, cleaning agents, CO₂)
- Perspiration
- Solutions of other metals (copper, iron etc.)

Tube color	Matt, light gray, and scale-free (no grinding necessary / possible)
Min. reference length	100 mm
Max. reference length	2000 mm
Temperature range	-40 to +80 °C
Antistatic	Yes

Carbonitriding is performed on the tube section that has already been cut to the correct length. This will also carbonitride the front sides.

Anodizing

Anodizing is a corrosion protection for aluminum tubes.

Application

- For weight-sensitive applications, e.g. shuttle systems.
- For aluminum tubes with diameters of 16 and 20 mm

Procedure

The surface of the aluminum tube is given an oxidic protective coating. Compared to galvanizing procedures, the top material layer is transformed and an oxide is formed.

Properties

The duration of the corrosion protection is reduced by the mechanical and thermal loads to which it is subjected. Particles may be carried off when transporting materials over anodized rollers.

Anodized surfaces are low-sensitive to scratching and abrasion. Mechanical damage can result in point corrosion.

An anodized surface can react with solutions of other metals, such as copper, iron, etc.

Tubes with grooves



Grooves are running grooves that can be placed in steel or aluminum tubes. They are used to guide round belts. When using the corresponding round belt, they are below the roller surface and, as such, do not contact the material.

When the round belt is moved, the conveyor roller also moves. Two options are differentiated here:

- Wrapping from roller to roller
- Wrapping of a driven shaft that is positioned below the conveyor rollers. The guide rollers required for guiding the round belts on the drive shaft are located on page 168.

Grooves can be applied for the following roller and RollerDrive series:

Roller or RollerDrive series		Catalog page
Universal conveyor roller	1700	page 68
Universal conveyor roller	1700 heavy	page 82
Tapered universal conveyor roller	1700KXO	page 76
RollerDrive	EC310	page 198

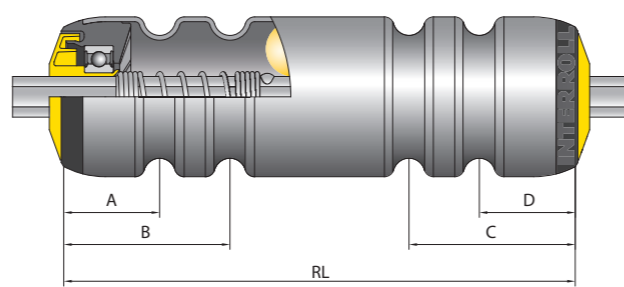
For tapered universal conveyor rollers, the tube must be longer than the tapered elements. The grooves are applied to this tube extension.

Please contact your Interroll contact person if grooves need to be applied to other roller series.

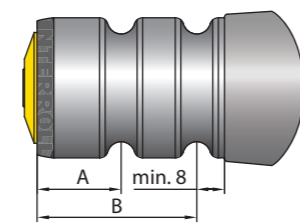
Rollers with grooves always contain an antistatic element. The maximum conveyor force of the round belt measures 300 N. The maximum load capacity per conveyor roller with groove measures 300 N due to the low conveyor force of the round belt. The load capacity information in the individual roller series refers to rollers without grooves.

The maximum load capacity of the conveyor roller is lower with tube lengths of greater than 1400 mm. Interroll recommends a shaft version that is secured against twisting for round belt drives, such as a female threaded shaft. Grooves can be applied to tubes with a wall thickness of up to 2 mm.

It is possible to apply one to four grooves for each tube. The dimensions A and up to D, as needed, must be specified accordingly at the time of ordering. Version-dependent limitations of the groove positions are located in the respective chapters of the roller and RollerDrive series.



Grooves reduce the concentric precision and load capacity of conveyor rollers. Interroll recommends conveyor rollers with round belt drive heads or PolyVee drive heads of the Series 3500 to ensure that concentric precision is adhered to (page 90).



Concentric precision

Conveyor rollers and RollerDrive are manufactured from tubes according to DIN standard. This standard allows deviations in form and straightness, which give rise to the concentric precision.

The concentric deviation is the maximum radial deviation of the diameter of the tube from a perfect circle.

Example: A concentric deviation $t = 0.3$ mm means that the maximum radial deviation of the entire tube is 0.3 mm.

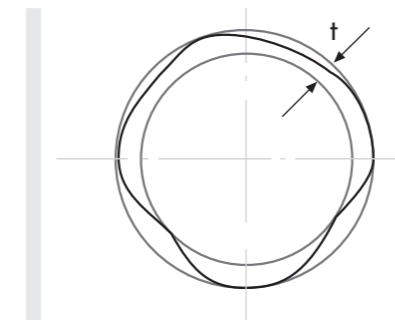
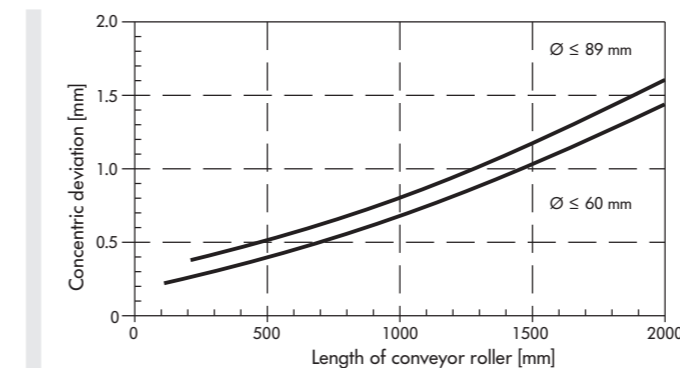


Fig.: Concentric deviation t

In principle, concentric deviation depends on the length and material of the tube. It is all the greater the longer a tube is, especially with polymer tubes.

The average concentric deviation of Interroll conveyor rollers can be found in the following diagrams.

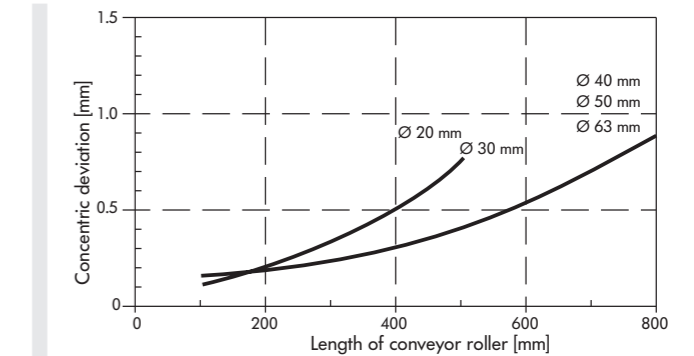
Steel tubes



Polymer tubes

With polymer tubes, the concentric deviation increases disproportionately to the length of the tube. The following lengths should not be exceeded:

Ø Tube [mm]	Max. tube length [mm]
16	300
20	400
30	500
40 / 50	600
63	800



For steel tubes ≤ 2 mm wall thickness, Interroll offers a 100 % check. In the process, the concentric precision of every roller ordered is checked and, if needed, the tube is straightened. Carbonitrided and chrome-plated tubes cannot be straightened.

Please note that DIN-compliant tubes are permitted significantly higher concentric tolerances. For this reason, the empirically determined guide values represented in the diagrams can be exceeded in individual cases.

Straightened rollers / roller lengths

In principle, the rollers manufactured by Interroll have a high concentric precision. The concentric precision is sufficient for almost all applications. On top of that, Interroll offers a 100% inspection for rollers made out of steel.

During the inspection, the concentric precision of each roller is measured. If the concentric precision falls outside the specified tolerance (page 28), the tube is straightened. The concentric deviation is corrected only if it falls outside the tolerance.

When measuring the concentric precision and also for the straightening process, the tube is the reference point. The concentricity between shaft and tube is not checked.

Technical data

Straightening is possible for tubes with a thickness up to 3 mm made of uncoated steel, zinc-plated steel, chrome-plated steel, stainless steel, aluminum and anodized aluminum.

Straightening is possible for the following tubes or tube lengths:

Ø Tube [mm]	Tube wall thickness [mm]	Min. length [mm]	Max. length [mm]
16	1	300	1000
20	1.5	490	1200
30	1.2	400	1200
40	1.5	600	1700
50	1.5	800	2000
51	2	600	1500
60	1.5	1000	2000
80	2	1500	2000

Straightening is possible for rollers with the following features:

- Rollers with grooves
- Rollers with flange
- Rollers with sleeve or lagging
- Rollers with tapered elements
- Carbonitrided and chrome-plated rollers and PVC rollers

Roller lengths

The Interroll conveyor rollers can be manufactured in different lengths utilizing millimeter increments. Most versions can be manufactured starting at a length of approx. 200 mm. The longest dimension for many series is approx. 2000 mm. The shortest and longest dimension depends on many factors, such as shaft design, tube material, production process or packaging options.

Definitions

- RL = Reference length / ordering length
- EL = Installation length, inside diameter between side profiles
- AGL = Total length of shaft
- U = Usable tube length, length without bearing housing and for flanged metal tube without length of flanging

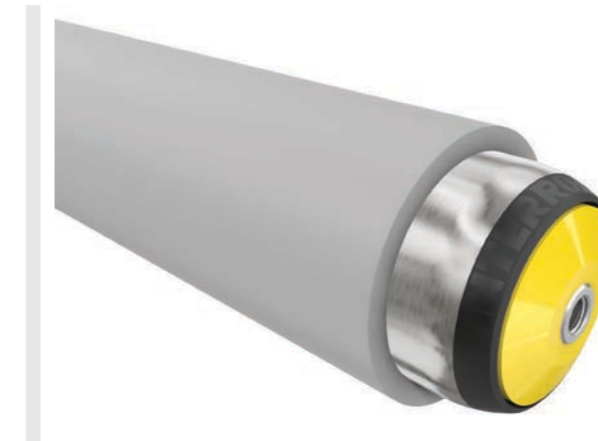
For conveyor rollers with female threaded shaft, the total shaft length corresponds to the installation length.

The installation length can be measured via the total shaft length only for rollers with female threaded shaft. For all other shaft designs, the installation length cannot be measured precisely at the conveyor roller. The axial play of approx. 0.5 mm or at the driven sides of approx. 1 mm is part of the installation length and does not allow an exact measurement of the installation length.

The reference length / ordering length has measurable reference edges on the conveyor roller for the following series:

- 1100
- 1700
- 1700 light (exception: Ø 20 mm)
- 3500 light
- 3500
- 3500 heavy
- 3800

PVC sleeve



The PVC sleeve ensures a particularly high noise reduction and offers a high level of protection for sensitive materials. An improved conveyance of materials is achieved with the higher coefficient of friction compared with a steel tube. Materials can easily be separated since the larger diameter leads to a higher speed with the same rotational speed.

Technical data

General technical data	
Min. sleeve length	50 mm
Min. installation length of the conveyor roller	100 mm
Max. installation length of the conveyor roller	2000 mm
Temperature range	-28 to + 50 °C Risk of fracture when cold starting at -30 °C
Material	
Tube	PVC, zinc-plated steel, chrome-plated steel, stainless steel, aluminum
PVC sleeve	<ul style="list-style-type: none"> • Soft PVC, RAL7030 (stone gray) • Silicone-free • RoHS-compliant • REACH-compliant • Not food-safe • Non-conductive • Not oil or gasoline-resistant
Sleeve hardness	62 + 5 Shore A (at 20 °C); the hardness increases at lower temperatures

Tapered rollers cannot be fitted with a PVC sleeve.

Design versions

Ø Tube [mm]	Sleeve material thickness [mm]	
	2	5
30	2	5
40	2	5
50	2	5
60	2	5
80	2	

The PVC sleeve is not glued onto the conveyor roller. The conveyor roller is pushed into the sleeve widened with compressed air by using a pressing machine. Then the sleeve is cut to the length of the tube or to the specified dimension.

Conveyor rollers with welded drive element can also be fitted with a PVC sleeve. This requires a drive element whose diameter is not greater than 12 mm of the tube.

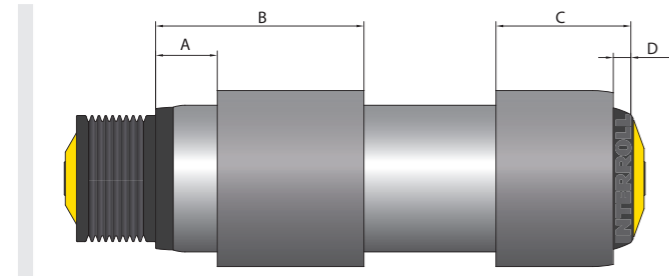
Friction rollers (Series 3800, 3800 light, 3870) can be fitted only with 2-mm PVC sleeve. Rollers with PVC sleeve are always designed with an antistatic element. The PVC sleeve is not antistatic.

Dimensions

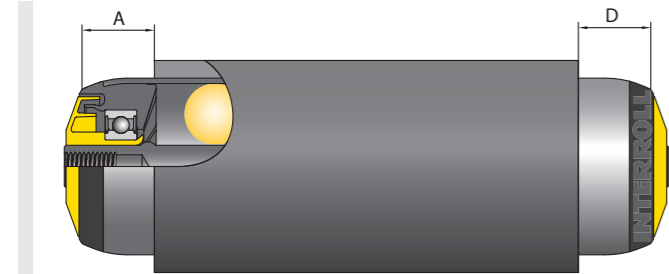
The PVC sleeve generally covers the entire tube length. It is possible not to fit sections of the roller with the PVC sleeve, e.g. the free space for grooves. A minimum length of 50 mm is required for a firm seating of the sleeve. With existing axial forces, a greater minimum length must be selected.

When ordering a roller with sleeve, always specify the dimensions A to D.

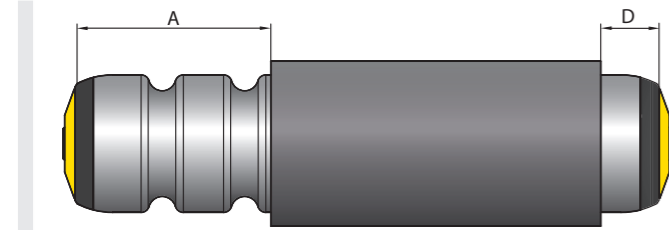
Split PVC sleeve and PolyVee drive head



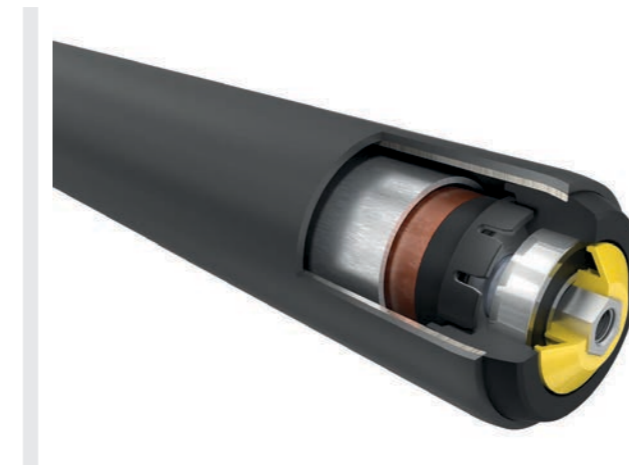
PVC sleeve with clean cuts



PVC sleeve and 2 grooves



PU sleeve



The PU sleeve ensures a high level of noise reduction, particularly for steel containers, and offers a high level of protection of sensitive materials. An improved conveyance of materials is achieved with the higher coefficient of friction compared with a steel tube. Materials can easily be separated since the larger diameter leads to a higher speed with the same rotational speed. With mechanical stress, e.g. with abrasion, it offers a higher robustness than a PVC sleeve.

Technical data

General technical data	
Min. sleeve length	50 mm
Max. installation length of the conveyor roller	1500 mm
Min. installation length of the conveyor roller	100 mm
Temperature range	-28 to +80 °C
Material	
Tube	Zinc-plated steel, chrome-plated steel, stainless steel, aluminum
PU sleeve	<ul style="list-style-type: none"> • Polyurethane, RAL9005 (jet black), gloss • Softener-free • Silicone and halogen-free • FDA-compliant • RoHS-compliant • Non-conductive • Oil or gasoline-resistant
Sleeve hardness	75 + 5 Shore A (at 20 °C); the hardness increases at lower temperatures

Tapered rollers cannot be fitted with a PU sleeve.

Design versions

Ø Tube [mm]	Sleeve material thickness [mm]
50	2
51	2

With the lower elasticity, the PU sleeve cannot be applied to any other tube diameters or tubes with welded-on elements.

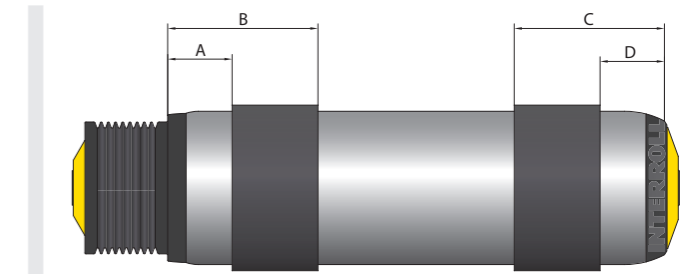
The PU sleeve is not glued onto the conveyor roller. The conveyor roller is pushed into the sleeve widened with compressed air by using a pressing machine. Then the sleeve is cut to the length of the tube or to the specified dimension. Rollers with PU sleeve are always designed with an antistatic element. The PU sleeve is not antistatic.

Dimensions

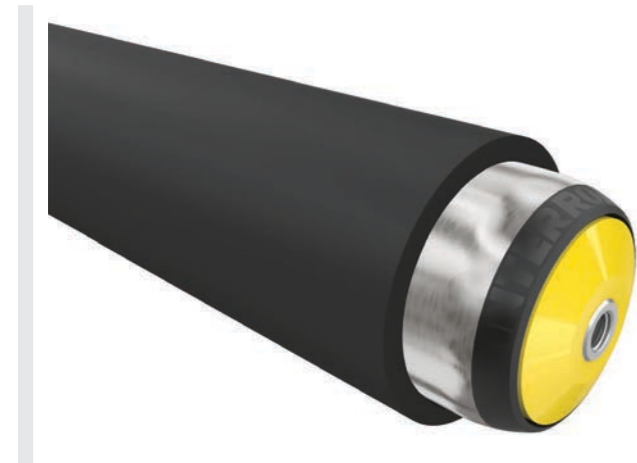
The PU sleeve generally covers the entire tube length. It is possible not to fit sections of the roller with the PU sleeve, e.g. the free space for grooves. A minimum length of 50 mm is required for a firm seating of the sleeve. With existing axial forces, a greater minimum length must be selected.

When ordering a roller with sleeve, always specify the dimensions A to D.

Split PU sleeve and PolyVee drive head



Lagging



The lagging ensures a high level of noise reduction and offers a high protection of medium-heavy to heavy materials. An improved conveyance of materials is achieved with the higher coefficient of friction compared with a steel tube. Materials can easily be separated since the larger diameter leads to a higher speed with the same rotational speed. The lagging offers a high robustness under mechanical stress and is very abrasion-proof. Compared to sleeves, that are not connected to the tube, axial forces are also allowed.

Technical data

General technical data	
Min. reference length of the roller	112 mm
Max. reference length of the roller	1350 mm
Temperature range	-30 to +80 °C
Min. installation length of the conveyor roller	110 mm
Material	
Tube	<ul style="list-style-type: none"> • Uncoated steel • Stainless steel
Black lagging	<ul style="list-style-type: none"> • Nitrile rubber • Silicone- and halogen-free • Good resistance to alkalis • RoHS-compliant • Not FDA-compliant • Not antistatic • Oil, grease or gasoline-resistant • Not resistant to aromatics • Hardness 65 ± 5 Shore A
White or blue lagging	<ul style="list-style-type: none"> • Nitrile rubber • Silicone- and halogen-free • Good resistance to alkalis • RoHS-compliant • FDA-compliant • Not antistatic • Oil, grease or gasoline-resistant • Not resistant to aromatics • Hardness 70 ± 5 Shore A

Tapered rollers cannot be fitted with a lagging. By default, rollers with lagging do not contain any antistatic element.

Design versions

For tube diameters 40, 50, 51, 60, 80 and 89, a lagging of 2 to 5 mm thickness in increments of 0.1 mm is possible.

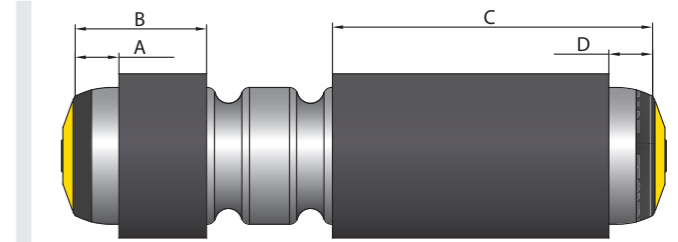
Roller series	Ø Tube [mm]	Bearing housing of drive side / non-drive side	Min. distance of lagging to left / right reference length [mm]
1450	80	Flanged / Flanged	15 / 15
1450	89	Flanged / Flanged	15 / 15
1700	40	Flanged / Flanged	16 / 16
1700	50	Flanged / Flanged	16 / 16
1700	50	Cylindrical / Cylindrical	6 / 6
1700	51	Flanged / Flanged	16 / 16
1700	51	Cylindrical / Cylindrical	6 / 6
1700	60	Flanged / Flanged	16 / 16
1700	80	Flanged / Flanged	16 / 16
1700 heavy	50	Flanged / Flanged	16 / 16
1700 heavy	51	Flanged / Flanged	16 / 16
1700 heavy	60	Flanged / Flanged	16 / 16
3500	40	Cylindrical / Flanged	0 / 16
3500	50	Flanged / Flanged	21 / 21
3500	50	Cylindrical / Flanged	6 / 16
3500	50	Cylindrical / Cylindrical	6 / 6
3600	80	Flanged / Flanged	25 / 25
3600	89	Flanged / Flanged	25 / 25
RollerDrive	50	Cylindrical / Flanged	6 / 21
RollerDrive	50	Cylindrical / Cylindrical	6 / 6

The lagging is applied through hot vulcanization and reground. This creates a high-strength joint of the lagging with the tube, resulting in a surface that is highly resistant to abrasion and very precise. For uncoated steel material, projecting tube sections are protected against corrosion with a black paint coating. For welded drive heads, the tube and drive head remain untreated.

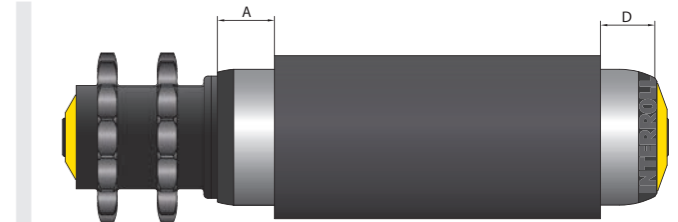
Friction rollers (Series 3800, 3800 light, 3870, 3880) can be fitted only with 2-mm lagging.

Dimensions

Stainless steel tube with 2 grooves and split lagging



Uncoated steel tube with 1/2" polymer double sprocket head with 14 teeth and lagging



Flanges



Flanges guide materials and prevent their lateral wandering. Circumferential welds ensure a high stability.

Technical data

The number of flanges and the roller pitch has to be selected in such a way that at least two flanges always guide the material at any given time.

Max. reference length	1600 mm
Material	Zinc-plated steel, uncoated steel
Max. number of flanges / rollers	4
Temperature range	Depending on roller series

Design versions

Ø Tube [mm]	Ø Flange, outside		Flange material thickness	
	d2 [mm]	s [mm]	b [mm]	
50	75	3	8.5	
60	100	3	8.5	
80	150	4	18.0	
89	150	4	18.0	

The following roller series can be delivered with flanges:

- 1200
- 1450
- 1700
- 1700 heavy
- 3500
- 3500 heavy
- 3600
- 3950

Dimensions

When ordering a roller with flange, always specify the dimensions A to D.

Flange

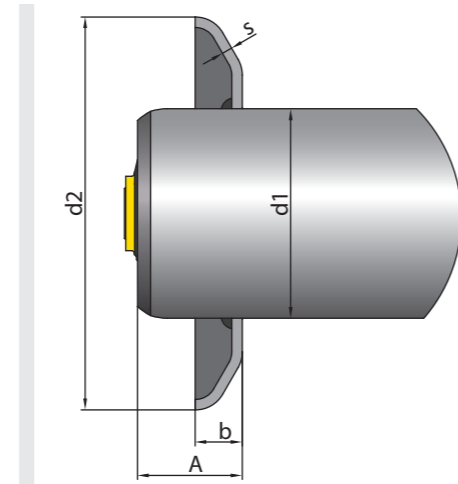


Fig.: Left flange

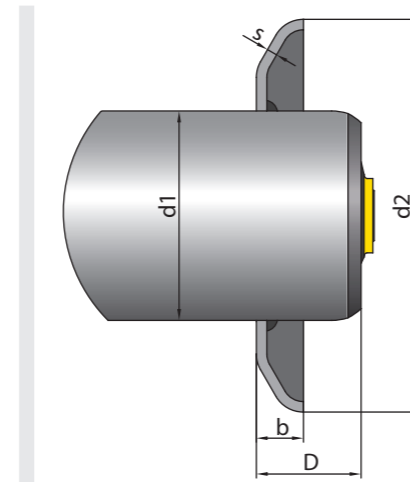
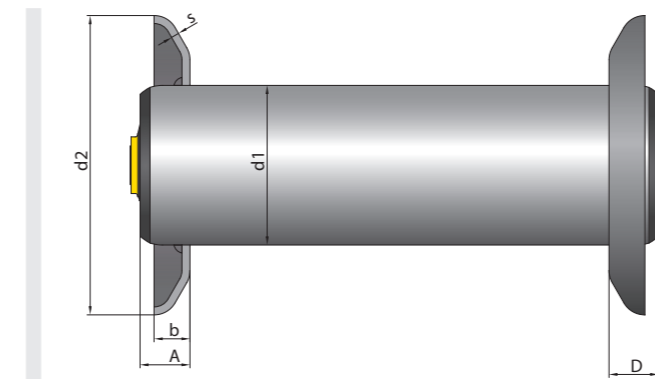


Fig.: Right flange

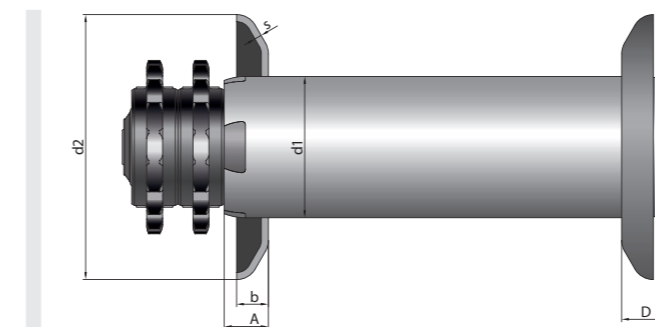
Series 1450, 1700 and 1700 heavy with 2 flanges

d1 [mm]	d2 [mm]	s [mm]	b [mm]	A _{min} [mm]	D _{min} [mm]
50	75	3	8.5	23	23
60	100	3	8.5	23	23
80/89	150	4	18	25	25



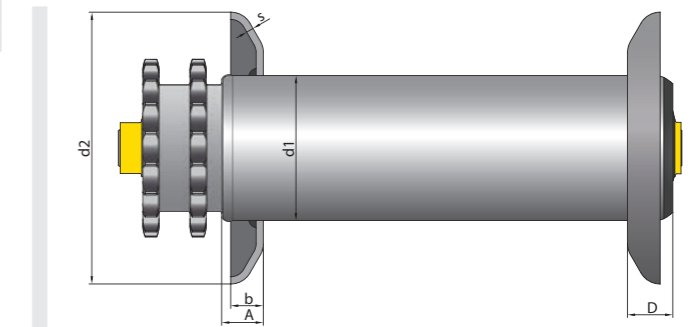
Series 3600 with 2 flanges

d1 [mm]	d2 [mm]	s [mm]	b [mm]	A _{min} [mm]	D _{min} [mm]
80/89	150	4	18	25	25



Series 3950 with 2 flanges

d1 [mm]	d2 [mm]	s [mm]	b [mm]	A _{min} [mm]	D _{min} [mm]
80/89	150	4	18	23	25



Series 1200

d1 [mm]	d2 [mm]	s [mm]	b [mm]	A _{min} [mm]	D _{min} [mm]
50	75	3	8.5	23	23
60	100	3	8.5	23	23

Series 3500

d1 [mm]	d2 [mm]	s [mm]	b [mm]	A _{min} [mm]	D _{min} [mm]
50	75	3	8.5	20	23
60	100	3	8.5	20	23

Series 3500 heavy

d1 [mm]	d2 [mm]	s [mm]	b [mm]	A _{min} [mm]	D _{min} [mm]
60	100	3	8.5	20	23

Antistatic element

The antistatic element creates a permanent electrical connection between the metal tube and the shaft of the roller. If the side profile is grounded accordingly and an electrical connection is established between the shaft of the roller and the side profile, no static charge is created on the metal tube surface.

The antistatic element can be applied for the following tube materials or tube finishings:

Material	Surface finishing
Steel	None
Steel	Zinc-plating
Steel	Chrome-plating
Steel	Carbonitriding
Stainless steel	None
Aluminum	None (no anodic oxide layer)

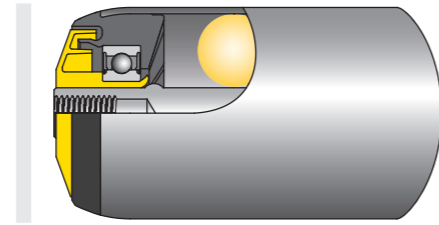
By default, the antistatic element is applied for all conveyor rollers with integrated groove or tapered elements and can be selected as an option for the following roller series:

- Series 1100
- Series 1450
- Series 1700 light
- Series 1700
- Series 1700KXO
- Series 1700 heavy
- Series 3500
- Series 3500KXO light
- Series 3500KXO
- Series 3600
- Series 3950

The antistatic element is available for the following roller diameters:

- 20 mm
- 30 mm
- 40 mm
- 50 mm
- 60 mm
- 80 mm
- 89 mm

Interroll recommends to ensure the electrical connection of the roller shaft to the side profile and to check the grounding potential on the roller surface before and after the use of the roller. Threaded shafts are best suited to establish a reliable electrical connection.



Tubes with noise reduction

Benefits

- High noise reduction, particularly with steel containers
- Reduces the frequency level and resonance when the rollers hit the end stop

Technical data

Min. reference length for attenuation	250 mm
Max. reference length for attenuation*	2000 mm
Ø Tube	50 mm
Temperature range	-28 to +80 °C
Tube Materials	Uncoated steel, zinc-plated steel, stainless steel, aluminum

* The insulating material is inserted in the tube with a maximum length of 1,000 mm. This length is sufficient for noise reduction.

Design versions

The following series can be equipped with noise reduction:

- Series 1100
- Series 1200
- Series 1500
- Series 1700
- Series 1700 heavy
- Series 3500

Rollers with noise reduction are fitted with a foam inner tube. The foam is pressed into the tube during the production process of the roller. The noise reduction is also possible for rollers with grooves.

ROLLERS SERIES 1100

Gravity conveyor roller



Application area

Internal conveyor systems, particularly suited for cost-efficient implementation of gravity or push conveyors. Can also be used in the food processing sector. The grease used in the bearings is FDA-compliant.

High corrosion resistance

The rollers consist of stainless material. Upon request, it is also possible to use stainless steel balls.

Resistant to contamination

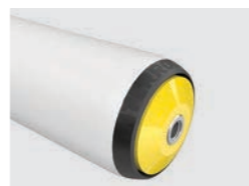
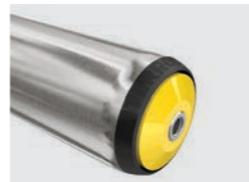
The smooth surfaces protect against dirt accumulation.

Lateral loading

The tube ends are rounded, thereby allowing materials to be easily moved on from the side.

Robust construction

For axial fixation of the bearing housing, the bearing assemblies for PVC tubes starting at a diameter of 30 mm are secured with an internal press-in edge in addition to the press fit.



ROLLERS SERIES 1100

Gravity conveyor roller



Technical data

General technical data	
Platform	1100
Max. load capacity	350 N
Max. conveyor speed	0.3 m/s
Temperature range	-5 to +40 °C PVC tube: With increased ambient temperature (from +30 °C) and high continuous static load over hours, a permanent deformation of the rollers cannot be ruled out.
Material	
Tube	Zinc-plated steel, stainless steel, aluminum PVC: RAL7030 (stone gray) RAL7024 (dark gray) for Ø 20 mm RAL5015 (sky blue) for Ø 50 mm
Shaft	Uncoated steel, zinc-plated steel, stainless steel
Bearing housing	Polypropylene: RAL9005 (jet black) RAL7024 (dark gray) for tube with Ø 20 mm
Seal	Polypropylene: RAL1021 (rape yellow) for use of carbon steel balls RAL7030 (stone gray) for use of stainless steel balls RAL7024 (dark gray) for use of stainless steel balls at Ø 20 mm
Bearing version	Special ball bearing made of polypropylene with steel balls (carbon steel or stainless steel)

Design versions

Tube sleeves	PVC sleeve (page 31) PU sleeve (page 33) Lagging (page 34)
Anti-static version	($10^6 \Omega$) Standard design for rollers with tube sleeves, cannot be used for PVC tube and tube with Ø 16 mm
Special tube surface treatment	Carbonitriding Chrome-plating
Shafts	The following are available in addition to the variants listed in the load capacity tables: <ul style="list-style-type: none"> • With spring on both sides • With variable length • Different design of both shaft ends
Noise reduction	For tube with Ø 50 mm

ROLLERS

SERIES 1100

Gravity conveyor roller



ROLLERS

SERIES 1100

Gravity conveyor roller

Load capacities of series 1100 with screw-connected installation

The load capacity table refers to a temperature range of +5 to +40 °C.
Valid for the following shaft designs: female thread or male thread.

Bearing: guided balls, no precision ball bearing.

Tube material	Ø Tube / thickness [mm]	Ø Shaft [mm]	Maximum static load [N] for installation length [mm]											
			100	200	300	400	500	600	700	800	900	1000	1100	1200
Aluminum	20 x 1.5	6	90	90	90	90	85	60	45	35	-	-	-	-
	50 x 1.5	10, 12	350	350	350	350	350	350	350	350	350	350	310	260
PVC	20 x 1.5	6	90	20	10	5	-	-	-	-	-	-	-	-
	30 x 1.8	8	120	90	35	20	15	-	-	-	-	-	-	-
	40 x 2.3	8, 10	180	180	130	70	40	25	20	15	10	-	-	-
Steel	50 x 2.8	8, 10, 11 HEX, 12	350	350	275	150	95	70	50	35	30	25	20	15
	20 x 1.5	6	90	90	90	90	90	90	90	90	75	60	50	45
Steel	30 x 1.2	8	120	120	120	120	120	120	120	120	120	120	120	120
	50 x 1.5	8, 10, 11 HEX, 12	350	350	350	350	350	350	350	350	350	350	350	350

HEX = hexagon

Load capacities of series 1100 with loose installation

The load capacity table refers to a temperature range of +5 to +40 °C.
Valid for the following shaft designs: spring-loaded shaft, fixed shaft or flatted shaft.

Bearing: guided balls, no precision ball bearing.

Tube material	Ø Tube / thickness [mm]	Ø Shaft [mm]	Maximum static load [N] for installation length [mm]											
			100	200	300	400	500	600	700	800	900	1000	1100	1200
Aluminum	16 x 1	5	50	50	50	50	30	20	15	10	-	-	-	-
	20 x 1.5	6	90	90	90	90	85	60	45	35	-	-	-	-
	50 x 1.5	8	350	350	350	350	350	345	295	260	230	210	190	180
PVC		10	350	350	350	350	350	350	350	350	350	350	310	260
		16 x 1	5	35	7	-	-	-	-	-	-	-	-	-
	20 x 1.5	6	90	20	10	-	-	-	-	-	-	-	-	-
	30 x 1.8	6, 8	120	90	35	20	15	-	-	-	-	-	-	-
	40 x 2.3	8, 10	180	180	115	65	40	25	20	15	10	-	-	-
Steel	50 x 2.8	8, 10, 11 HEX, 12	350	350	275	150	95	65	50	35	30	25	20	15
	16 x 1	5	50	50	50	50	50	50	45	35	25	20	20	15
	20 x 1.5	6	90	90	90	90	90	90	90	90	75	60	50	45
	30 x 1.2	8	120	120	120	120	120	120	120	120	120	120	120	120
	50 x 1.5	8	350	350	350	350	350	330	280	245	220	195	180	165
	10, 11 HEX, 12	350	350	350	350	350	350	350	350	350	350	350	350	350

HEX = hexagon

ROLLERS SERIES 1100

Gravity conveyor roller



ROLLERS SERIES 1100

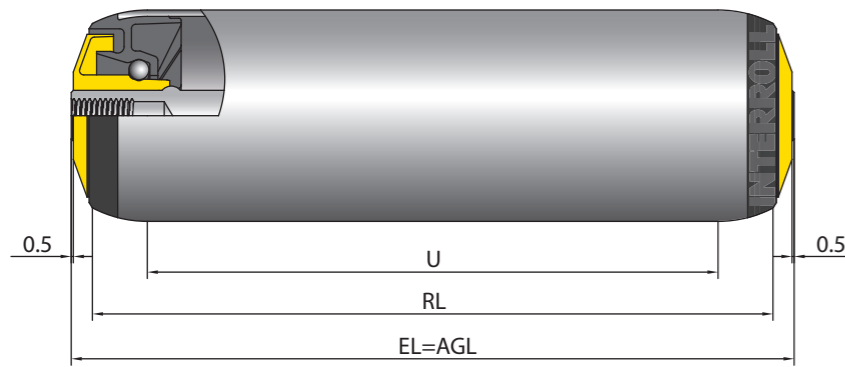
Gravity conveyor roller

Dimensions

The dimensions of the conveyor roller depend on the shaft version. A sufficient axial play is already taken into account, so that only the actual lane width between side profiles is required for ordering. Ordering dimensions for tube sleeves, e.g. PVC sleeves, see page 31.

- RL = Reference length / ordering length
- EL = Installation length, inside diameter between side profiles
- AGL = Total length of shaft
- U = Usable tube length: Length without bearing housing and for flanged metal tube without length of flanging

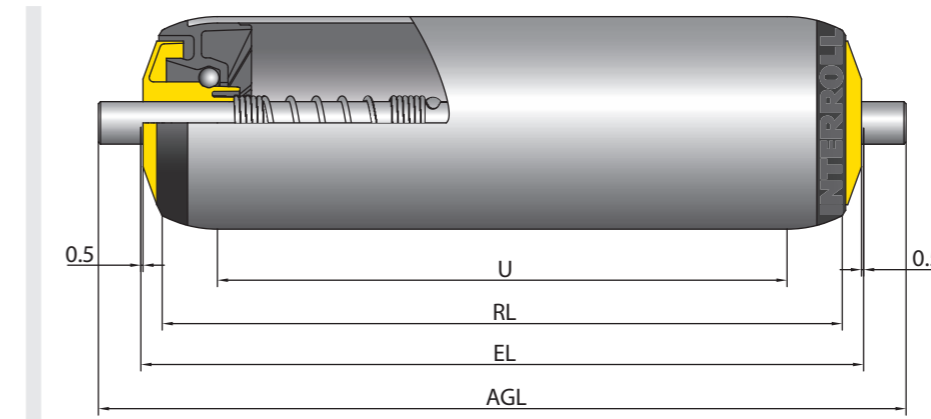
Female threaded shaft



Ø Tube [mm]	Tube material	Ø Shaft [mm]	EL [mm]	AGL [mm]	U [mm]
30 x 1.2	Steel	8	RL + 5	RL + 5	RL - 26
30 x 1.8	PVC	8	RL + 5	RL + 5	RL - 12
40 x 2.3	PVC	8, 10	RL + 10	RL + 10	RL - 12
50 x 1.5	Steel	8, 11 HEX	RL + 10	RL + 10	RL - 26
	Aluminum/Steel	10, 12			
50 x 2.8	PVC	8, 10, 11 HEX, 12	RL + 10	RL + 10	RL - 12

HEX = hexagon

Spring-loaded shaft



Ø Tube [mm]	Tube material	Ø Shaft [mm]	EL [mm]	AGL [mm]	U [mm]
16 x 1	Aluminum/PVC/Steel	5	RL + 5	RL + 17	RL - 16
20 x 1.5	Aluminum/PVC/Steel	6	RL + 5	RL + 17	RL - 16
30 x 1.2	Steel	8	RL + 5	RL + 21	RL - 26
		8		RL + 21	
40 x 2.3	PVC	8	RL + 10	RL + 26	RL - 12
		10		RL + 30	
50 x 1.5	Aluminum/Steel	8	RL + 10	RL + 26	RL - 26
		10		RL + 30	
		11 HEX		RL + 32	
50 x 2.8	PVC	12		RL + 34	
		8	RL + 10	RL + 26	RL - 12
		10		RL + 30	
		11 HEX		RL + 32	
		12		RL + 34	

HEX = hexagon

Detailed product specifications are available on request.

ROLLERS SERIES 1200

Steel conveyor roller



Application area

Driven unit handling conveying, such as transport of cardboards, containers, barrels or tires. Suitable for implementing gravity or push conveyors. The roller is designed for use in a very broad temperature range from -28 to +80 °C. The version with steel bearing housing is designed for use in freezer applications or applications with very high ambient temperature.

High reliability

The solid steel roller distinguishes itself with distinct longevity and high resilience, thanks to pressed and zinc-plated bearing shells with hardened running grooves.

Lateral loading

The tube ends are rounded, thereby allowing materials to be easily moved on from the side. Axial forces are removed through ball bearings and seals.

Particularly robust

The shape of the ball bearings used is optimized for use in conveyor rollers so that large bearing deflections are possible.



ROLLERS SERIES 1200

Steel conveyor roller



Technical data

General technical data	
Platform	1200
Max. load capacity	1200 N
Max. conveyor speed	0.8 m/s
Anti-static version (< 10 ⁹ Ω)	Yes
Temperature range	-28 to +80 °C
Material	
Tube	Zinc-plated steel, stainless steel, aluminum
Shaft	Uncoated steel, zinc-plated steel, stainless steel
Bearing housing	Zinc-plated steel
Bearing version	Steel ball bearings with hardened running grooves Oiled to Ø 40 mm, greased from Ø 50 mm

Design versions

Tube sleeves	PVC sleeve (page 31) PU sleeve (page 33) Lagging (page 34)
Shafts	The following are available in addition to the variants listed in the load capacity tables: <ul style="list-style-type: none"> • With spring on both sides • With variable length • Different design of both shaft ends
Tube	The following are available in addition to the variants listed in the load capacity tables: <ul style="list-style-type: none"> • With flanges welded on
Noise reduction	For tube with Ø 50 mm

ROLLERS

SERIES 1200

Steel conveyor roller



ROLLERS

SERIES 1200

Steel conveyor roller

Load capacities of series 1200 with screw-connected installation

The following load capacity table refers to a temperature range from -5 to +40 °C. The values may deviate for applications in other temperature ranges.

Valid for the following shaft designs: female thread or male thread.

Bearing: hardened metal ball bearing.

Tube material	Ø Tube / thickness [mm]	Ø Shaft [mm]	Maximum static load [N] for installation length [mm]													
			100	200	300	400	500	600	700	800	900	1000	1200	1400	1600	
Steel	30 x 1.2	8, 10	300	300	300	300	300	300	300	292	230	186	129	94	72	
	40 x 1.5	10, 12	800	800	800	800	800	800	800	800	685	555	385	280	215	
	50 x 1.5	10, 12	1200	1200	1200	1200	1200	1200	1200	1200	1200	1110	765	560	430	
	60 x 1.5	10, 12, 14	1200	1200	1200	1200	1200	1200	1200	1200	1200	1200	1200	1200	985	755
	80 x 2	12, 14	1200	1200	1200	1200	1200	1200	1200	1200	1200	1200	1200	1200	1200	1200

Load capacities of series 1200 with loose installation

The following load capacity table refers to a temperature range from -5 to +40 °C. The values may deviate for applications in other temperature ranges.

Valid for the following shaft designs: spring-loaded shaft, fixed shaft or flatted shaft.

Bearing: hardened metal ball bearing.

Tube material	Ø Tube / thickness [mm]	Ø Shaft [mm]	Maximum static load [N] for installation length [mm]													
			100	200	300	400	500	600	700	800	900	1000	1200	1400	1600	
Steel	30 x 1.2	8, 10	300	300	300	300	300	300	300	290	230	185	130	95	70	
		8	800	800	800	735	585	490	420	370	330	300	255	225	200	
	50 x 1.5	10, 12	800	800	800	800	800	800	800	800	685	555	385	280	215	
		8	1200	1200	975	720	575	475	410	355	320	285	240	210	185	
		10	1200	1200	1200	1200	1200	1200	1050	925	830	750	640	560	430	
	51 x 2	11 SK, 12	1200	1200	1200	1200	1200	1200	1200	1200	1200	1200	1110	765	560	430
		10	1200	1200	1200	1200	1200	1190	1025	900	805	730	615	535	475	
	60 x 1.5	12	1200	1200	1200	1200	1200	1200	1200	1200	1200	1200	1200	1055	775	590
		10	1200	1200	1200	1200	1200	1175	1010	885	790	715	600	520	460	
		12, 14	1200	1200	1200	1200	1200	1200	1200	1200	1200	1200	1200	1200	985	755
80 x 2	14	1200	1200	1200	1200	1200	1200	1200	1200	1200	1200	1200	1200	1200	1200	

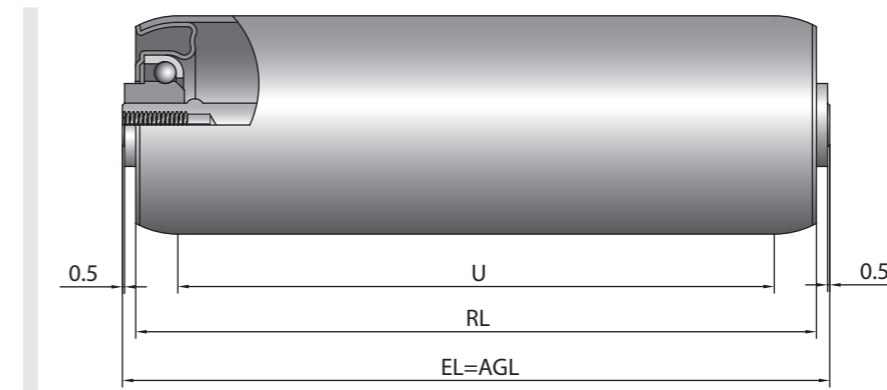
Dimensions

The dimensions of the conveyor roller depend on the shaft version. A sufficient axial play is already taken into account, so that only the actual lane width between side profiles is required for ordering.

Ordering dimensions for tube sleeves, e.g. PVC sleeves, see page 31, and for flanges see page 36.

- RL = Reference length / ordering length
- EL = Installation length, inside diameter between side profiles
- AGL = Total length of shaft
- U = Usable tube length: Length without bearing housing and for flanged metal tube without length of flanging

Female threaded shaft



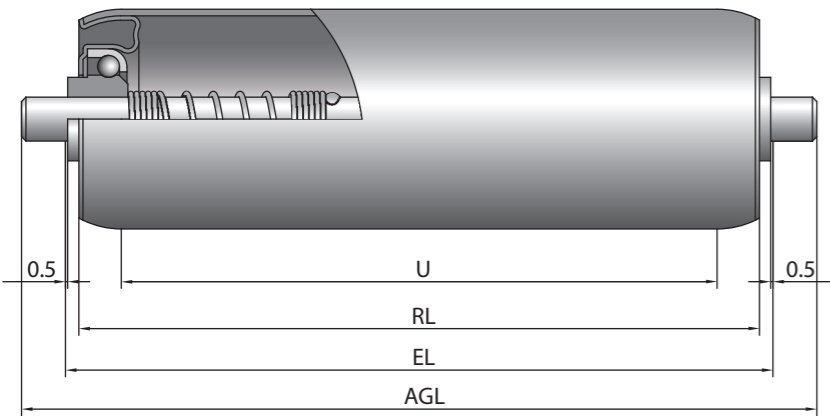
Ø Tube [mm]	Ø Shaft [mm]	EL [mm]	AGL [mm]	U [mm]
30 x 1.2	8, 10	RL + 6	RL + 6	RL - 8
40 x 1.5	10, 12	RL + 6	RL + 6	RL - 10
50 x 1.5	10, 12	RL + 6	RL + 6	RL - 12
60 x 1.5	10, 12, 14	RL + 6	RL + 6	RL - 21
80 x 2	14	RL + 3	RL + 3	RL - 21

ROLLERS SERIES 1200

Steel conveyor roller



Spring-loaded shaft



Ø Tube [mm]	Tube material	Ø Shaft [mm]	EL [mm]	AGL [mm]	U [mm]
30 x 1.2	Steel	8	RL + 6	RL + 22	RL - 8
		10		RL + 26	
40 x 1.5	Steel	8	RL + 6	RL + 22	RL - 10
		10		RL + 26	
		12		RL + 30	
50 x 1.5	Steel	8	RL + 6	RL + 22	RL - 12
		10		RL + 26	
		11 HEX		RL + 28	
		12		RL + 30	
51 x 2	Steel	10	RL + 6	RL + 26	RL - 12
		12		RL + 30	
60 x 1.5	Steel	10	RL + 6	RL + 26	RL - 21
		12		RL + 30	
		14		RL + 34	
80 x 2	Steel	14	RL + 3	RL + 31	RL - 21

HEX = hexagon

Detailed product specifications are available on request.

ROLLERS SERIES 1450

Heavy-duty universal conveyor roller



Application area

Driven and particularly non-driven conveying systems, such as transport of cardboards, containers, barrels, wheels, pallets or steel containers. Thanks to a carrying capacity of up to 5,000 N, the product can be used as universal conveyor roller for very high loads. The roller series can also be used for the implementation of gravity roller conveyors. The version with steel bearing housing is designed for use in freezer applications or applications with very high ambient temperature.

Low-noise

The use of precision ball bearings, Technopolymer bearing housings and seals result in very quiet running.

Lateral loading

The tube ends are rounded, thereby allowing materials to be easily moved on from the side.

Axial loading capacity

Forces acting in axial direction are removed through ball bearings and seals.

Robust construction

To obtain an axial fixing of bearing housing, ball bearing and seal against escaping, the bearing housing is not only pressed into the tube, but also flanged.



ROLLERS SERIES 1450

Heavy-duty universal conveyor roller



Technical data

General technical data		
Platform	1450	1450
Max. load capacity	5000 N	2500 N
Max. conveyor speed	0.8 m/s	0.8 m/s
Anti-static version	Override	(< 10 ⁶ Ω)
Temperature range	-5 to +40 °C	-28 to +80 °C
Material		
Tube	Zinc-plated steel, stainless steel	Zinc-plated steel, stainless steel
Shaft	Uncoated steel, zinc-plated steel, stainless steel	Uncoated steel, zinc-plated steel, stainless steel
Seal	Polyamide, RAL1021 (rape yellow)	Steel
Bearing housing	Polyamide, RAL9005 (jet black)	Zinc-plated steel
Bearing version	For Ø80, Ø89: Precision ball bearing steel 6205 2RZ, bearing play C3, greased For Ø60: Precision steel ball bearing 6204 2RZ, bearing play C3, greased	Precision steel ball bearing 6204 1Z, greased

Design versions

Tube sleeves	For shell with Ø 60 and 80 mm PVC tube (page 31) Lagging (page 34)
Anti-static version	(< 10 ⁶ Ω) Standard design for rollers with grooves or tube sleeves
Shafts	The following are available in addition to the variants listed in the load capacity tables: <ul style="list-style-type: none"> • With variable length • Different design of both shaft ends
Tube	The following are available in addition to the variants listed in the load capacity tables: <ul style="list-style-type: none"> • With flanges welded on • With grooves for guiding round belts (only for tube with Ø 80 x 2 mm)

ROLLERS SERIES 1450

Heavy-duty universal conveyor roller



ROLLERS SERIES 1450

Heavy-duty universal conveyor roller

Load capacities of series 1450 with screw-connected installation

The load capacity table refers to a temperature range of +5 to +40 °C.
Valid for the following shaft designs: female thread or male thread.

Bearing: 6205 2RZ.

Tube material	Ø Tube / thickness [mm]	Ø Shaft [mm]	Maximum static load [N] for installation length [mm]						
			200	1000	1200	1400	1600	1800	2000
Steel	60 x 3	20	5000	3635	2515	1840	1405	1105	895
	80 x 2	20	5000	5000	4285	3135	2395	1890	1525
	80 x 3	20	5000	5000	5000	4530	3460	2725	2205
	89 x 3	20	5000	5000	5000	5000	4815	3800	3070

Load capacities of series 1450 with screw-connected installation and freezer design

The load capacity table refers to a temperature range of -28 to +80 °C.
Valid for the following shaft designs: female thread or male thread.

Bearing: 6204 1Z.

Tube material	Ø Tube / thickness [mm]	Ø Shaft [mm]	Maximum static load [N] for installation length [mm]						
			200	1000	1200	1400	1600	1800	2000
Steel	80 x 2	20	2500	2500	2140	1565	1200	945	760
	80 x 3	20	2500	2500	2500	2265	1730	1360	1100
	89 x 3	20	2500	2500	2500	2500	2400	1900	1535

Load capacities of series 1450 with loose installation

The load capacity table refers to a temperature range of +5 to +40 °C.
Valid for the following shaft designs: fixed shaft or flatted shaft.

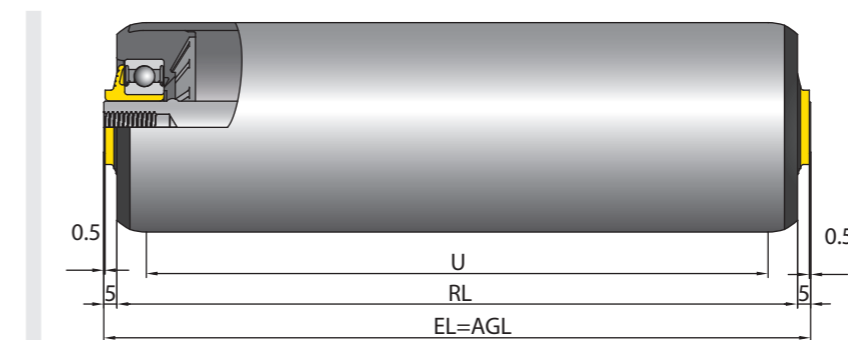
Tube material	Bearings	Ø Tube / thickness [mm]	Ø Shaft [mm]	Maximum static load [N] for installation length [mm]						
				200	1000	1200	1400	1600	1800	2000
Steel	6204 2RZ	60 x 3 standard/seamless	20	5000	3635	2515	1840	1405	1105	895
	6205 2RZ	80 x 2	20	5000	5000	4285	3135	2395	1890	1525
		80 x 3	20	5000	5000	5000	4530	3460	2725	2205
		89 x 3	20	5000	5000	5000	4465	4005	3655	3070

Dimensions

The dimensions of the conveyor roller depend on the shaft version. A sufficient axial play is already taken into account, so that only the actual lane width between side profiles is required for ordering.
Ordering dimensions for tube sleeves, e.g. PVC sleeves, see page 31, and for flanges see page 36.

- RL = Reference length / ordering length
- EL = Installation length, inside diameter between side profiles
- AGL = Total length of shaft
- U = Usable tube length: Length without bearing housing and for flanged metal tube without length of flanging

Roller, Ø 80 and Ø 89 mm, with polyamide bearing housing



Ø Tube [mm]	Ø Shaft [mm]	EL [mm]	AGL [mm]	U [mm]
80 x 2; 80 x 3; 89 x 3	20	RL + 10	RL + 10	RL - 26

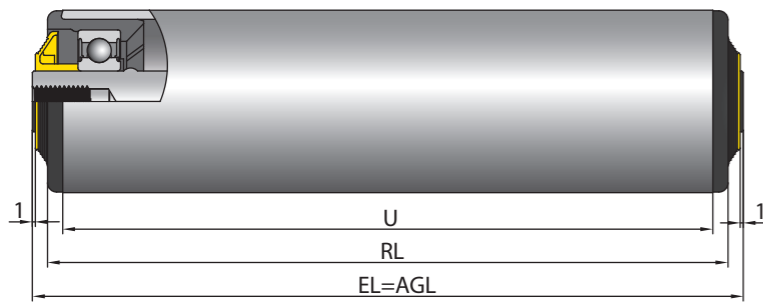
ROLLERS

SERIES 1450

Heavy-duty universal conveyor roller

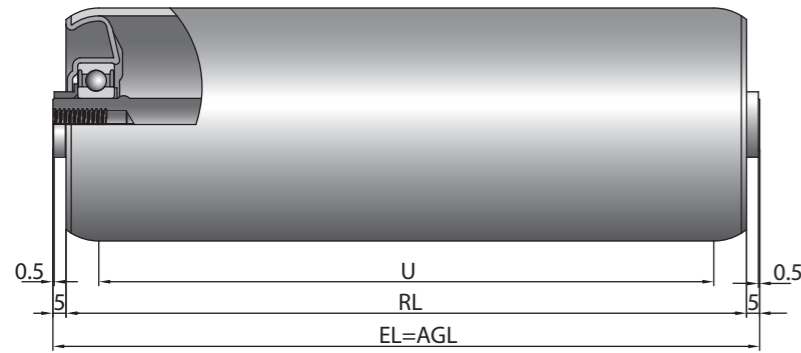


Roller, Ø 60 mm, with polyamide bearing housing



Ø Tube [mm]	Ø Shaft [mm]	EL [mm]	AGL [mm]	U [mm]
60 x 3	20	RL + 10	RL + 10	RL - 10

Roller, Ø 80 and Ø 89 mm, with steel bearing housing



Ø Tube [mm]	Ø Shaft [mm]	EL [mm]	AGL [mm]	U [mm]
80 x 2; 80 x 3; 89 x 3	20	RL + 10	RL + 10	RL - 26

Detailed product specifications are available on request.

ROLLERS

SERIES 1500/1520

Slide bearing conveyor roller



Application area

Non-driven container conveyor systems where the roller is generally used for conveying packaged or unpackaged food products. Since high levels of cleanliness requirements are met, the roller can be used in moist areas and a wet cleaning can be performed.

Long service life

Smooth-running, wear-resistant slide bearings, which do not allow any grease to be washed out, are installed in series 1500. In addition, the use of shaft pins made of stainless steel ensures a high corrosion resistance. Pressed-in bearing housings prevent foreign bodies from penetrating into the inside of the roller.

Easy cleaning

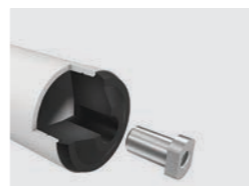
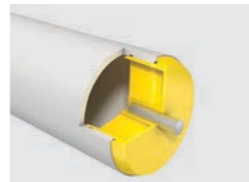
Contaminations can be removed with commercial cleaning agents. For particular thorough cleaning, the roller can easily be removed and reinstalled.

Simple installation

Slide bearing bushings allow engaging in a side profile with a maximum wall thickness of 2.5 mm and hexagon holes (does not apply to series 1520).

Robust construction

For axial fixation of the bearing housing, the bearing assemblies for PVC tubes are secured with an internal press-in edge in addition to the press fit.



ROLLERS

SERIES 1500/1520

Slide bearing conveyor roller



Technical data

General technical data		
Platform	1500	1520
Max. load capacity	120 N	1100 N
Max. conveyor speed	0.8 m/s	0.8 m/s
Anti-static version	No	No
Temperature range	-5 to +40 °C -28 to +40 °C (for steel tubes)	-5 to +40 °C -28 to +40 °C (for steel tubes)
	PVC tube: With increased ambient temperature (from +30 °C) and high continuous static load over hours, a permanent deformation of the rollers cannot be ruled out.	
Shaft release	Shaft pin, Ø 6 mm, stainless steel	Shaft pin, Ø 12 mm, stainless steel, M8 female thread
Fastening holes	Hexagon, 11 mm, +0.3/-0.8 mm	Round hole for M8 screw
Material		
Tube	Zinc-plated steel, stainless steel, aluminum PVC: RAL7030 (stone gray) RAL5015 (sky blue)	Zinc-plated steel, stainless steel, aluminum PVC: RAL7030 (stone gray) RAL5015 (sky blue)
Shaft, permanently connected to bearing housing	Yes, stainless steel	
Bearing housing	Polypropylene, RAL1023 (traffic yellow)	Polyoxymethylene, RAL9005 (jet black)
Sliding bearing bush	Polymethylene, RAL7030 (stone gray)	
Bearing version	Slide bearing	Slide bearing

Design versions

Tube sleeves	PVC sleeve (page 31) PU sleeve (page 33) Lagging (page 34)
Special tube surface treatment	Carbonitriding Chrome-plating
Series 1500	Roller with and without slide bearing bushing
Noise reduction	For tube with Ø 50 mm

ROLLERS SERIES 1500/1520

Slide bearing conveyor roller



Load capacities of series 1500 with fixed shaft

The load capacity table refers to a temperature range from -5 to $+40$ °C for PVC tubes and to a temperature range from -28 to $+20$ °C for steel tubes.

Valid for the following shaft designs: fixed shaft.

Bearing: slide bearing.

Tube material	Ø Tube / thickness [mm]	Ø Shaft [mm]	Maximum static load [N] for installation length [mm]							
			100	200	300	400	500	600	700	800
PVC	30 x 1.8	6	50	50	35	20	12	–	–	–
	50 x 2.8	6	120	120	120	120	95	65	48	35
Steel	30 x 1.2	6	50	50	50	50	50	50	50	50
	50 x 1.5	6	120	120	120	120	120	120	120	120

Load capacities of series 1520 with shaft pin

The load capacity table refers to a temperature range from -5 to $+40$ °C for PVC tubes and to a temperature range from -28 to $+20$ °C for steel tubes.

Valid for the following shaft designs: Shaft pin with female thread.

Bearing: slide bearing.

Tube material	Ø Tube / thickness [mm]	Ø Shaft pin [mm]	Maximum static load [N] for installation length [mm]							
			200	300	400	600	800	1000	1300	1600
PVC	50 x 2.8	12	500	250	150	65	36	–	–	–
Steel	50 x 1.5	12	1100	1100	1100	1100	1100	1100	650	400

Removal of a roller of series 1500

A roller of series 1500 can easily be installed in hexagon holes using the supplied slide bearing bushings. If the roller must be removed again, e.g. for cleaning, it is just as easy. Interroll recommends a 12-mm open-end wrench for the removal. The open-end wrench must be placed between the inside of the side profile and the bearing housing of the roller. It must be placed on the hexagon so that the two bracket joints of the slide bearing bushing no longer project. The bracket joints prevent the slide bearing bushings from inadvertently dropping out of the side profile. If the bracket joints are placed by the open-end wrench, the slide bearing bushing can easily be pulled out to the outside.

ROLLERS SERIES 1500/1520

Slide bearing conveyor roller



Dimensions of series 1500

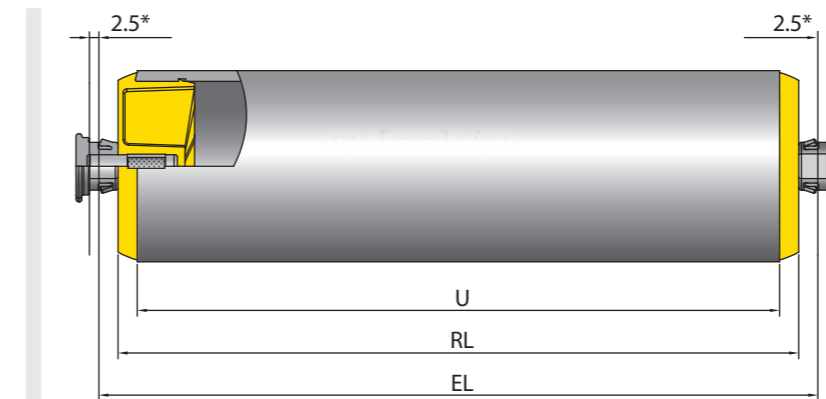
A sufficient axial play is already taken into account, so that the actual lane width between side profiles is required. Ordering dimensions for tube sleeves, e.g. PVC sleeves, see page 31.

- RL = Reference length / ordering length
- EL = Installation length, inside diameter between side profiles
- U = Usable tube length, length without bearing housing and for flanged metal tube without length of flanging

Ø Tube [mm]	Tube material	Ø Shaft [mm]	EL [mm]	U [mm]
30 x 1.2	Steel	6 Stub/11 HEX Clip	RL + 10	RL – 20
30 x 1.8	PVC	6 Stub/11 HEX Clip	RL + 10	RL – 10
50 x 1.5	Steel	6 Stub/11 HEX Clip	RL + 10	RL – 22
50 x 2.8	PVC	6 Stub/11 HEX Clip	RL + 10	RL – 10

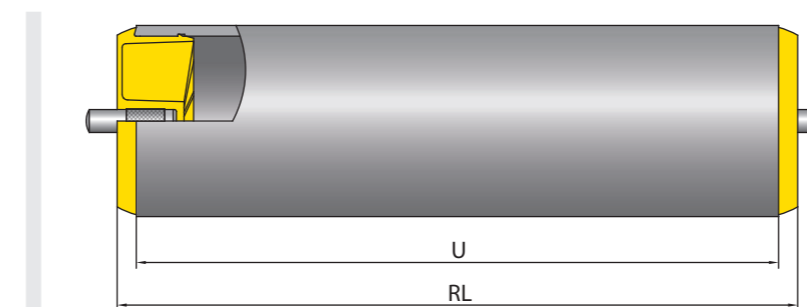
- Stub = Shaft pin
- HEX = hexagon

PVC tube with slide bearing bushing



* Maximum profile width

PVC tube without slide bearing bushing



ROLLERS

SERIES 1500/1520

Slide bearing conveyor roller



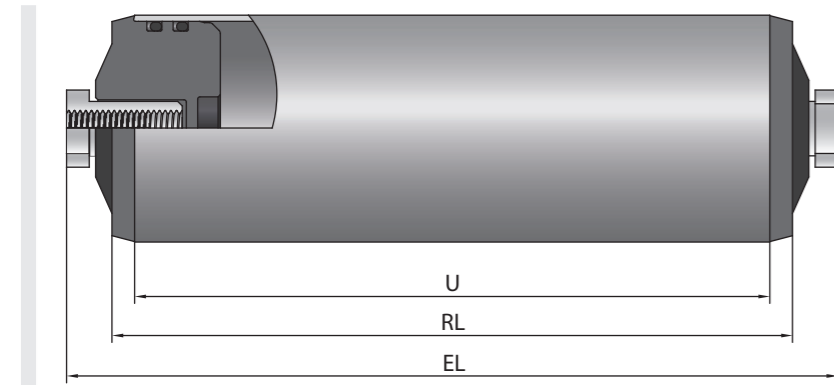
Dimensions of series 1520

A sufficient axial play is already taken into account, so that the actual lane width between side profiles is required. Ordering dimensions for tube sleeves, e.g. PVC sleeves, see page 31.

- RL = Reference length / ordering length
- EL = Installation length, inside diameter between side profiles
- U = Usable tube length, length without bearing housing and for flanged metal tube without length of flanging

Steel tube and female threaded shaft pin

Ø Tube [mm]	Tube material	Ø Shaft [mm]	EL [mm]	U [mm]
50 x 1.5	Steel	Shaft pin, M8 female thread	RL + 20	RL - 22
50 x 2.8	PVC	Shaft pin, M8 female thread	RL + 20	RL - 10



ROLLERS

SERIES 1700 LIGHT

Universal conveyor roller



ROLLERS

SERIES 1700 LIGHT

Universal conveyor roller



Application area

Internal transport of small materials as well as use for assembly machines or packaging machines. Suitable for implementing gravity roller conveyors.

Low-noise

The use of precision ball bearings, Technopolymer bearing housings and seals result in very quiet running.

Lateral loading

The tube ends are rounded, thereby allowing materials to be easily moved on from the side. Axial forces are removed through ball bearings and seals.

Small roller pitches

Small roller pitches can be implemented by using rollers with a diameter of 20 or 30 mm.

Robust construction

To achieve a high axial load capacity, particularly of bearing housings, ball bearings and seal, the bearing housing is not only pressed into the tube for the versions with metal tube, but also flanged. The bearing assemblies of the PVC tubes with a diameter of 30 mm are secured not only with a press fit, but also with an internal press-in edge.



Technical data

General technical data	
Platform	1700
Max. load capacity	150 N
Max. conveyor speed	1.5 m/s
Temperature range	-28 to +40 °C PVC tube: With increased ambient temperature (from +30 °C) and high continuous static load over hours, a permanent deformation of the rollers cannot be ruled out.
Material	
Tube	Zinc-plated steel, stainless steel, aluminum PVC: RAL7030 (stone gray) RAL7024 (dark gray) for tube with Ø 20 mm
Shaft	Uncoated steel, zinc-plated steel, stainless steel
Bearing housing	Polyamide, RAL9005 (jet black)
Seal	Polypropylene, RAL1021 (rape yellow) for tube with Ø 20 mm Polyamide, RAL1021 (rape yellow) for tube with Ø 30 mm
Bearing version	Sealed precision ball bearing, steel 689 2Z, bearing play C0

Design versions

Tube sleeves	PVC sleeve for rollers with zinc-plated tubes or stainless steel tubes (page 31)
Anti-static version	($10^6 \Omega$) Standard design for rollers with grooves or tube sleeves, cannot be used for PVC tube
Special tube surface treatment	Carbonitriding
Lubrication options for ball bearing	Greased for an ambient temperature from -28 to +40 °C (standard)
Shafts	The following are available in addition to the variants listed in the load capacity tables: <ul style="list-style-type: none"> • With spring on both sides • With variable length • Different design of both shaft ends

ROLLERS

SERIES 1700 LIGHT

Universal conveyor roller



ROLLERS

SERIES 1700 LIGHT

Universal conveyor roller

Load capacities of series 1700 light with screw-connected installation

The load capacity table refers to a temperature range of +5 to +40 °C.
The maximum static load at -28 °C to -6 °C measures 40 N.

Valid for the following shaft designs: female thread or male thread.

Bearing: 689 2Z.

Tube material	Ø Tube / thickness [mm]	Ø Shaft [mm]	Maximum static load [N] for installation length [mm]					
			100	200	300	400	500	600
PVC	20 x 1.5	8	80	19	-	-	-	-
	30 x 1.8	8	150	80	35	20	-	-
Aluminum	20 x 1.5	8	150	150	150	129	82	57
Steel	20 x 1.5; 30 x 1.2	8	150	150	150	150	150	150

Load capacities of series 1700 light with loose installation

The load capacity table refers to a temperature range of +5 to +40 °C.
The maximum static load at -28 °C to -6 °C measures 40 N.

Valid for the following shaft designs: spring-loaded shaft, fixed shaft or flatted shaft.

Bearing: 689 2Z.

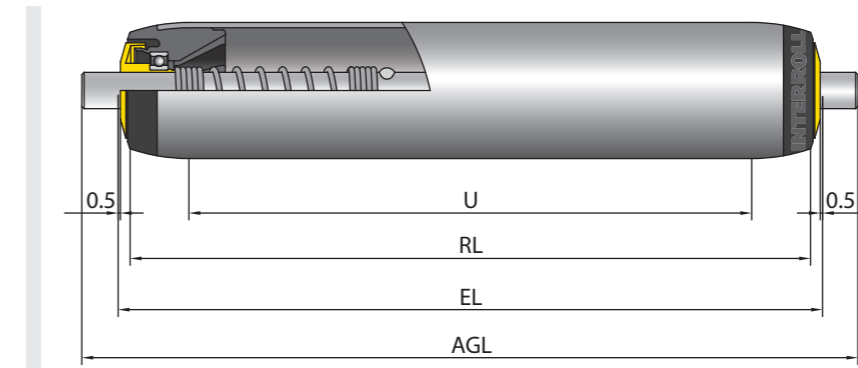
Tube material	Ø Tube / thickness [mm]	Ø Shaft [mm]	Maximum static load [N] for installation length [mm]					
			100	200	300	400	500	600
PVC	20 x 1.5	6, 8	80	19	-	-	-	-
	30 x 1.8	6, 8	150	80	35	20	12	-
Aluminum	20 x 1.5	6	150	150	150	129	82	57
Steel	20 x 1.5; 30 x 1.2	6, 8	150	150	150	150	150	150

Dimensions

The dimensions of the conveyor roller depend on the shaft version. A sufficient axial play is already taken into account, so that only the actual lane width between side profiles is required for ordering.
Ordering dimensions for tube sleeves, e.g. PVC sleeves, see page 31.

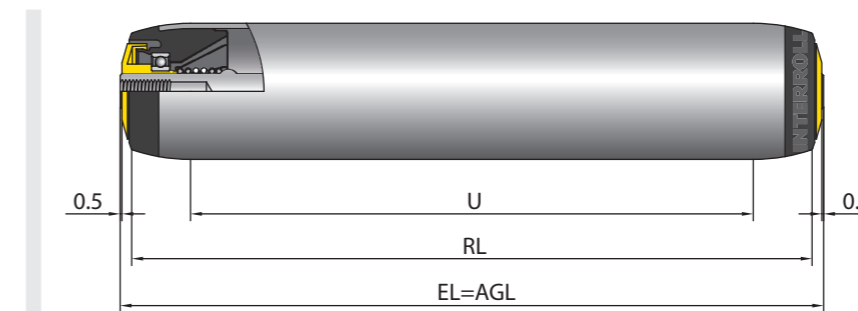
- RL = Reference length / ordering length
- EL = Installation length, inside diameter between side profiles
- AGL = Total length of shaft
- U = Usable tube length: Length without bearing housing and for flanged metal tube without length of flanging

Spring-loaded shaft



Ø Tube [mm]	Tube material	Ø Shaft [mm]	EL [mm]	AGL [mm]	U [mm]
20 x 1.5	Aluminum/PVC/Steel	6	RL + 5	RL + 15	RL - 16
		8		RL + 21	
30 x 1.2	Steel	6	RL + 5	RL + 15	RL - 26
		8		RL + 21	
30 x 1.8	PVC	6	RL + 5	RL + 15	RL - 12
		8		RL + 21	

Female threaded shaft



Ø Tube [mm]	Tube material	Ø Shaft [mm]	EL [mm]	AGL [mm]	U [mm]
20 x 1.5	Aluminum/PVC/Steel	8	RL + 5	RL + 5	RL - 16
30 x 1.2	Steel	8	RL + 5	RL + 5	RL - 26
30 x 1.8	PVC	8	RL + 5	RL + 5	RL - 12

ROLLERS SERIES 1700

Universal conveyor roller



Application area

Driven and non-driven conveying systems, such as transport of cardboards, containers, barrels, or wheels. Suitable for implementing gravity or push conveyors. Also usable as belt bearing roller (no deflection).

Highest reliability

This roller series has been proven millions of times. The roller offers a very high degree of functional dependability.

Low-noise

The use of precision ball bearings, Technopolymer bearing housings and seals result in very quiet running.

Good protection against dirt and water

The roller excels with a good protection against coarse dirt and dripping water. An integrated groove ensures that water can be rejected.

Lateral loading

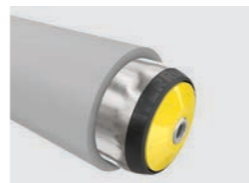
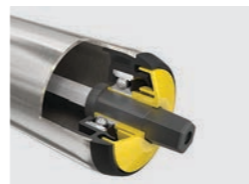
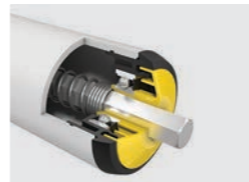
The tube ends are rounded, thereby allowing materials to be easily moved on from the side. Axial forces are removed through ball bearings and seals.

Extremely soft starting

If an oiled precision ball bearing is used, the roller will start particularly easily.

Robust construction

To achieve a high axial load capacity, particularly of bearing housings, ball bearings and seal, the bearing housing is not only pressed into the tube for the versions with metal tube, but also flanged. The bearing assemblies of the PVC tubes are secured not only with a press fit, but also with an internal press-in edge.



ROLLERS SERIES 1700

Universal conveyor roller



Technical data

General technical data	
Platform	1700
Max. load capacity	2000 N
Max. conveyor speed	2.0 m/s
Temperature range	-5 to +40 °C with greased ball bearing -28 to +20 °C with oiled ball bearing PVC tube: With increased ambient temperature (from +30 °C) and high continuous static load over hours, a permanent deformation of the rollers cannot be ruled out. - Minimum temperature: -5 °C
Material	
Tube	Zinc-plated steel, stainless steel, aluminum PVC: RAL7030 (stone gray) RAL5015 (sky blue)
Shaft	Uncoated steel, zinc-plated steel, stainless steel; tapered shaft-shuttle: Polyamide (antistatic design)
Bearing housing	Polyamide, RAL9005 (jet black)
Seal	Polypropylene, RAL1021 (rape yellow)
Bearing version	Precision steel ball bearing 6002 2RZ, precision stainless steel ball bearing 6002 2RZ, bearing play each C3

Design versions

Tube sleeves	PVC sleeve (page 31) PU sleeve (page 33) Lagging (page 34)
Anti-static version	($10^6 \Omega$) Standard design for rollers with grooves or tube sleeves, cannot be used for PVC tube
Special tube surface treatment	Carbonitriding Chrome-plating (for tube with \varnothing 50 mm)
Lubrication options for ball bearing	Greased for an ambient temperature from -5 to +40 °C Oiled for an ambient temperature from -28 to +20 °C
Shafts	The following are available in addition to the variants listed in the load capacity tables: <ul style="list-style-type: none"> • With spring on both sides • With variable length • Different design of both shaft ends
Tube	The following are available in addition to the variants listed in the load capacity tables: <ul style="list-style-type: none"> • With grooves, e.g. for guiding round belts (applies to metal tubes) • For tube with \varnothing 50 mm: Bearing housings that are not being flanged, can be used as an option • With flanges welded on
Noise reduction	For tube with \varnothing 50 mm

ROLLERS SERIES 1700

Universal conveyor roller



ROLLERS SERIES 1700

Universal conveyor roller

Load capacities of series 1700 with screw-connected installation

The following load capacity table refers to a temperature range from -5 to +40 °C and to a tube without grooves. The maximum static load at -28 °C to -6 °C measures 350 N.

Valid for the following shaft designs: female thread or male thread.

Bearing: 6002 2RZ.

Tube material	Ø Tube / thickness [mm]	Ø Shaft [mm]	Maximum static load [N] for installation length [mm]							
			200	300	400	600	800	1000	1300	1600
PVC	50 x 2.8	8, 10, 12, 14	660	275	150	65	35	-	-	-
	63 x 3.0	12, 14	1445	605	330	145	80	50	30	20
Steel	40 x 1.5	8, 10, 11 HEX, 12, 14	800	800	800	800	800	560	330	215
		8	915	885	870	860	855	850	660	430
		10	1790	1730	1700	1680	1665	1120	660	430
	50 x 3	11 HEX, 12, 14	2000	2000	2000	2000	1765	1120	660	430
		10	1790	1790	1700	1680	1665	1650	1200	790
Steel	51 x 2	12, 14	2000	2000	2000	2000	1875	1190	700	460
		10	1790	1730	1705	1680	1665	1660	1155	760
	60 x 1.5	12, 14	2000	2000	2000	2000	2000	1965	1155	760
		12, 14	2000	2000	2000	2000	2000	2000	1500	985
	60 x 3.0	12, 14	2000	2000	2000	2000	2000	2000	2000	1405
	80 x 2.0	11 HEX, 12, 14	2000	2000	2000	2000	2000	2000	2000	2000
	Aluminum	50 x 1.5	12, 14	2000	2000	2000	1060	590	375	219

HEX = hexagon

Load capacities of series 1700 with loose installation

The following load capacity table refers to a temperature range from -5 to +40 °C and to a tube without grooves. The maximum static load at -28 °C to -6 °C measures 350 N.

Valid for the following shaft designs: spring-loaded shaft, fixed shaft or flatted shaft.

Bearing: 6002 2RZ.

Tube material	Ø Tube / thickness [mm]	Ø Shaft [mm]	Maximum static load [N] for installation length [mm]							
			200	300	400	600	800	1000	1300	1600
PVC	50 x 2.8	8, 10, 11 HEX, 12	660	275	150	65	35	-	-	-
		8	835	580	330	145	80	50	-	-
	10, 11 HEX, 12	1445	605	330	145	80	50	-	-	
Steel	40 x 1.5	8	780	495	365	240	180	145	115	95
		10	800	800	800	620	475	395	320	215
		11 HEX, 12, 14	800	800	800	800	800	560	330	215
		8	735	465	340	220	165	130	100	70
	50 x 1.5	10	1630	1145	840	555	415	335	260	220
		11 HEX	2000	2000	1545	1030	785	645	515	430
		12	2000	2000	1805	1210	925	765	615	430
		14	2000	2000	2000	2000	1765	1130	660	430
	51 x 2	12	2000	2000	1770	1175	890	725	575	485
		14	2000	2000	2000	2000	1805	1510	905	595
		10	1630	1135	930	540	400	320	250	205
		11 HEX	2000	2000	1500	1155	870	700	550	460
		12	2000	2000	1750	990	745	600	470	390
		14	2000	2000	2000	2000	1700	1400	1150	790



Tube material	Ø Tube / thickness [mm]	Ø Shaft [mm]	Maximum static load [N] for installation length [mm]							
			200	300	400	600	800	1000	1300	1600
Steel	60 x 1.5	10	1630	1135	830	540	405	325	250	205
		12	2000	2000	1755	1160	870	705	555	465
		11 HEX	2000	2000	1510	995	745	605	470	390
		14	2000	2000	2000	2000	1730	1430	1155	760
	60 x 2.0	11 HEX	2000	2000	1500	980	735	590	460	380
		12	2000	2000	1740	1140	855	690	540	445
		14	2000	2000	2000	2000	1670	1365	1090	924
	60 x 3.0	10	1630	1130	825	535	400	315	245	200
		11 HEX	1000	1000	1485	970	725	580	450	370
		12	2000	2000	1725	1130	840	675	525	430
		14	2000	2000	2000	2000	1615	1310	1030	860
	80 x 2.0	11 HEX	2000	2000	1475	960	715	570	440	355
12		2000	2000	1710	1115	830	660	510	415	
14		2000	2000	2000	2000	1565	1255	975	800	
Aluminum	50 x 1.5	8	745	470	345	230	175	140	110	90
		10	1630	1200	900	610	480	375	220	145
		11 HEX	2000	2000	1750	1060	590	375	220	145
		12, 14	2000	2000	2000	1060	590	375	220	145

HEX = hexagon

Load capacities of series 1700 with tapered shaft-shuttle

Bearing: 6002 2RZ.

Tube material	Ø Tube / thickness [mm]	Ø Shaft [mm]	Maximum static load [N] for installation length [mm]							
			200	300	400	600	800	1000	1300	1600
PVC	50 x 2.8	11 – 12 HEX	350	275	150	65	35	-	-	-
Steel	50 x 1.5	11 – 12 HEX	350	350	350	350	350	-	-	-

HEX = hexagon



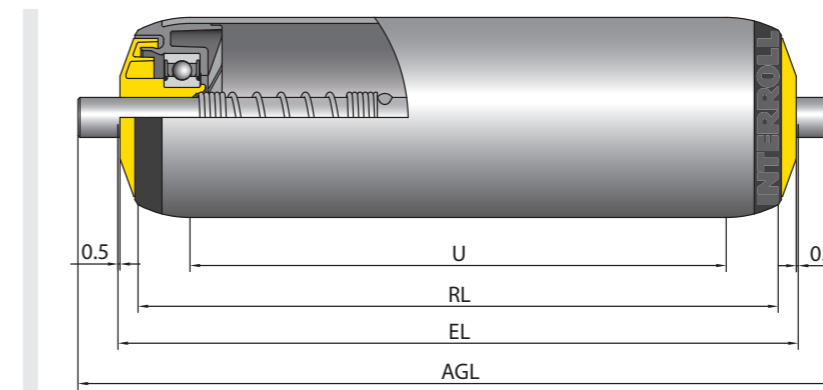
Dimensions

The dimensions of the conveyor roller depend on the shaft version. A sufficient axial play is already taken into account, so that only the actual lane width between side profiles is required for ordering. Ordering dimensions for tube sleeves, e.g. PVC sleeves, see page 31, and for flanges see page 36.

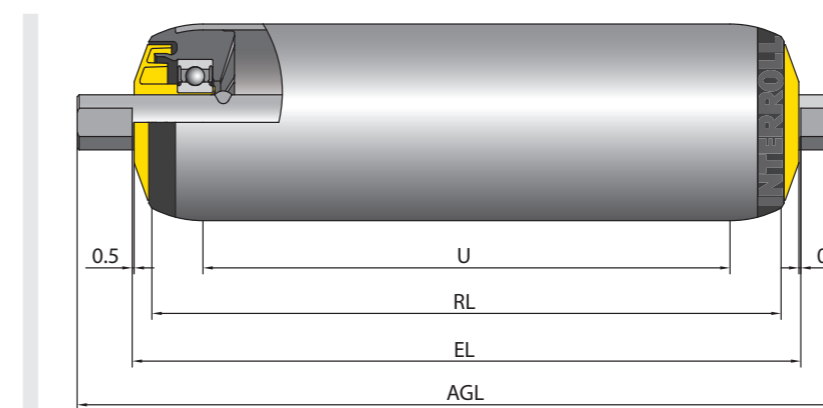
- RL = Reference length / ordering length
- EL = Installation length, inside diameter between side profiles
- AGL = Total length of shaft
- U = Usable tube length: Length without bearing housing and for flanged metal tube without length of flanging

Spring-loaded shaft and flat shaft

Spring-loaded shaft



Flat shaft



ROLLERS SERIES 1700

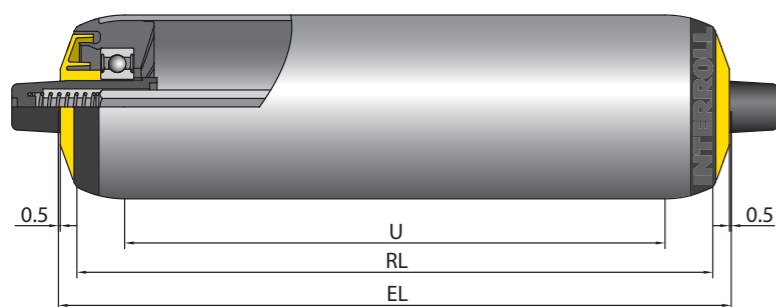
Universal conveyor roller



Ø Tube [mm]	Tube material	Ø Shaft [mm]	EL [mm]	AGL [mm]	U [mm]
50 x 2.8	PVC	8	RL + 10	RL + 26	RL - 12
		10		RL + 30	
		11 HEX		RL + 32	
		12		RL + 34	
63 x 3.0	PVC	8	RL + 10	RL + 26	RL - 12
		10		RL + 30	
		11 HEX		RL + 32	
		12		RL + 34	
40 x 1.5; 50 x 1.5	Aluminum/Steel	8	RL + 10	RL + 26	RL - 26
		10		RL + 30	
		11 HEX		RL + 32	
		12		RL + 34	
		14		RL + 38	
51 x 2	Steel	12	RL + 10	RL + 34	RL - 28
		14		RL + 38	
50 x 3; 60 x 1.5; 60 x 3.0	Steel	10	RL + 10	RL + 30	RL - 26
		11 HEX		RL + 32	
		12		RL + 34	
		14		RL + 38	
60 x 2.0; 80 x 2.0	Steel	11 HEX	RL + 10	RL + 32	RL - 26
		12		RL + 34	
		14		RL + 38	

HEX = hexagon

Tapered shaft-shuttle



ROLLERS SERIES 1700

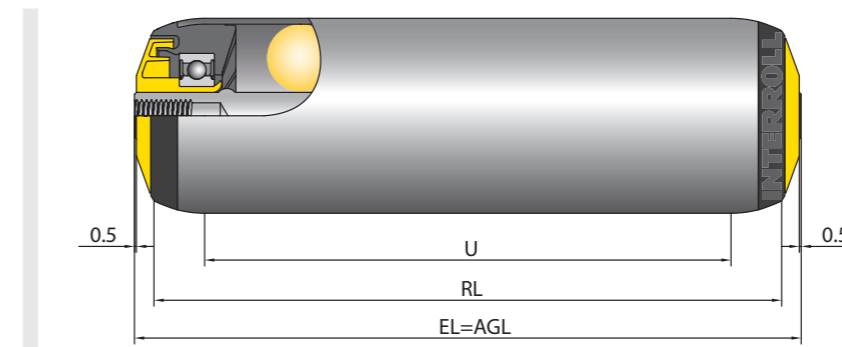
Universal conveyor roller



Ø Tube [mm]	Tube material	Ø Shaft [mm]	EL [mm]	U [mm]
50 x 2.8	PVC	11 TH	RL + 10	RL - 12
50 x 1.5	Steel	11 TH	RL + 10	RL - 26

TH = tapered hexagon

Female threaded shaft



Ø Tube [mm]	Tube material	Ø Shaft [mm]	EL [mm]	AGL [mm]	U [mm]
50 x 2.8	PVC	8, 10, 12, 14	RL + 10	RL + 10	RL - 12
63 x 3.0	PVC	12, 14	RL + 10	RL + 10	RL - 12
40 x 1.5	Steel	8, 10, 11 HEX, 12, 14	RL + 10	RL + 10	RL - 26
50 x 1.5	Aluminum/Steel	8, 10, 11 HEX, 12, 14	RL + 10	RL + 10	RL - 26
50 x 3	Steel	10, 12, 14	RL + 10	RL + 10	RL - 12
51 x 2	Steel	12, 14	RL + 10	RL + 10	RL - 28
60 x 1.5	Steel	10, 12, 14	RL + 10	RL + 10	RL - 26
60 x 2.0; 60 x 3.0	Steel	12, 14	RL + 10	RL + 10	RL - 26
80 x 2.0	Steel	11 HEX, 12, 14	RL + 10	RL + 10	RL - 26

HEX = hexagon

Detailed product specifications are available on request.

ROLLERS SERIES 1700KXO

Tapered universal conveyor roller



Application area

Driven unit handling conveying in the curve section, e.g. of cardboards, containers or tires. Suitable for implementing gravity or driven roller curves. Tight curve radii are possible if tapered elements with a conicity of 2.2° are used.

High reliability

This roller series has been proven millions of times. Contrary to conventional curve rollers, the elements are secured against shifting. This allows the roller to offer a very high degree of functional dependability.

Low-noise

The use of precision ball bearings, Technopolymer bearing housings and seals result in very quiet running.

Good protection against dirt and water

The roller excels with a good protection against coarse dirt and dripping water. An integrated groove ensures that water can be rejected.

Good running properties

The tapered elements made of polypropylene distinguish themselves with a low net weight so that good startup properties can be achieved.

Robust construction

Robust tapered elements are abrasion-proof, noise-reducing, impact-resistant and excel through a high weather-resistance.



ROLLERS SERIES 1700KXO

Tapered universal conveyor roller



Technical data

General technical data			
Differentiation of tapered elements	Conicity 1.8°	Conicity 1.8°	Conicity 2.2°
	Color Gray	Color Black	Color Gray
Inner curve radius	800/850 mm	800/850 mm	690 mm
Platform	1700	1700	1700
Max. load capacity	500 N	500 N	500 N
Max. conveyor speed	2 m/s	2 m/s	2 m/s
Anti-static version (< 10 ⁶ Ω)	No	Yes	No
Impact-resistant version	Yes	Yes	Yes
Temperature range	-5 to +40 °C with greased ball bearing -28 to +20 °C with oiled ball bearing	-5 to +40 °C with greased ball bearing -28 to +20 °C with oiled ball bearing	-5 to +40 °C with greased ball bearing -28 to +20 °C with oiled ball bearing
Material			
Tube	Zinc-plated steel, stainless steel, aluminum	Zinc-plated steel, stainless steel, aluminum	Zinc-plated steel, stainless steel, aluminum
Shaft	Uncoated steel, zinc-plated steel, stainless steel	Uncoated steel, zinc-plated steel, stainless steel	Uncoated steel, zinc-plated steel, stainless steel
Color of tapered elements	RAL7030 (stone gray)	RAL9005 (jet black)	RAL7030 (stone gray)
Tapered cone material	Polypropylene	Polypropylene	Polypropylene
Bearing housing	Polyamide, RAL9005 (jet black)	Polyamide, RAL9005 (jet black)	Polyamide, RAL9005 (jet black)
Seal	Polypropylene, RAL1021 (rape yellow)	Polypropylene, RAL1021 (rape yellow)	Polypropylene, RAL1021 (rape yellow)
End cover of the last tapered element	Polypropylene, RAL1021 (rape yellow)	Polypropylene, RAL1021 (rape yellow)	Metal disk, not completely closing element
Bearing version	Precision steel ball bearing 6002 2RZ, precision stainless steel ball bearing 6002 2RZ, bearing play each C3		

An antistatic element is always present in the tube of a roller with tapered elements.

To prevent any damages from static charging or discharging, Interroll recommends the use of black tapered elements.

ROLLERS SERIES 1700KXO

Tapered universal conveyor roller



Design versions

Lubrication options for ball bearing	Greased for an ambient temperature from -5 to +40 °C (standard) Oiled for an ambient temperature from -28 to +20 °C
Shafts	The following are available in addition to the variants listed in the load capacity tables: <ul style="list-style-type: none"> • With spring on both sides • With variable length • Different design of both shaft ends
Tube	The following are available in addition to the variants listed in the load capacity tables: <ul style="list-style-type: none"> • With grooves, e.g. for guiding round belts

Load capacities of series 1700KXO with screw-connected installation

The following load capacity table refers to a temperature range from -5 to +40 °C and to a tube without grooves. The maximum static load at -28 °C to -6 °C measures 350 N.

Valid for the following shaft designs: female thread or male thread.

Bearing: 6002 2RZ.

Tube material	Ø Tube / thickness [mm]	Ø Shaft [mm]	Maximum static load [N] for installation length [mm]						
			200	300	400	600	800	900	1000
Steel	50 x 1.5	11 HEX, 12, 14	500	500	500	500	500	500	500
Aluminum	50 x 1.5	14	500	500	500	500	500	500	500

HEX = hexagon

Load capacities of series 1700KXO with loose installation

The following load capacity table refers to a temperature range from -5 to +40 °C and to a tube without grooves. The maximum static load at -28 °C to -6 °C measures 350 N.

Valid for the following shaft designs: spring-loaded shaft, fixed shaft or flatted shaft.

Bearing: 6002 2RZ.

Tube material	Ø Tube / thickness [mm]	Ø Shaft [mm]	Maximum static load [N] for installation length [mm]						
			200	300	400	600	800	900	1000
Steel	50	8	500	465	340	220	165	145	130
		10	500	500	500	500	415	370	335
		11 HEX, 12	500	500	500	500	500	500	500

HEX = hexagon

ROLLERS SERIES 1700KXO

Tapered universal conveyor roller



Dimensions

The dimensions of the conveyor roller depend on the shaft version. A sufficient axial play is already taken into account, so that only the actual lane width between side profiles is required for ordering.

- RL = Reference length / ordering length
- EL = Installation length, inside diameter between side profiles
- AGL = Total length of shaft
- U = Usable tube length: Length of tapered elements

Reference lengths with tapered elements

Conicity: 1.8°, color: gray (not antistatic)			Conicity: 1.8°, color: black (antistatic)		
Reference length [mm]	Min. Ø [mm]	Max. Ø [mm]	Reference length [mm]	Min. Ø [mm]	Max. Ø [mm]
150	55.6	64.8	150	55.6	64.8
200	52.5	64.8	200	52.5	64.8
250	55.6	71.2	250	55.6	71.2
300	52.5	71.2	300	52.5	71.2
350	55.6	77.6	350	55.6	77.6
400	52.5	77.6	400	52.5	77.6
450	55.6	84.0	450	55.6	84.0
500	52.5	84.0	500	52.5	84.0
550	55.6	90.4	550	55.6	90.4
600	52.5	90.4	600	52.5	90.4
650	55.6	96.8	650	55.6	96.8
700	52.5	96.8	700	52.5	96.8
750	55.6	103.2	750	55.6	103.2
800	52.5	103.2	800	52.5	103.2
850	55.6	109.9	-	-	-
900	52.5	109.9	-	-	-
950	55.6	116.0	-	-	-
1000	52.5	116.0	-	-	-

ROLLERS SERIES 1700KXO

Tapered universal conveyor roller

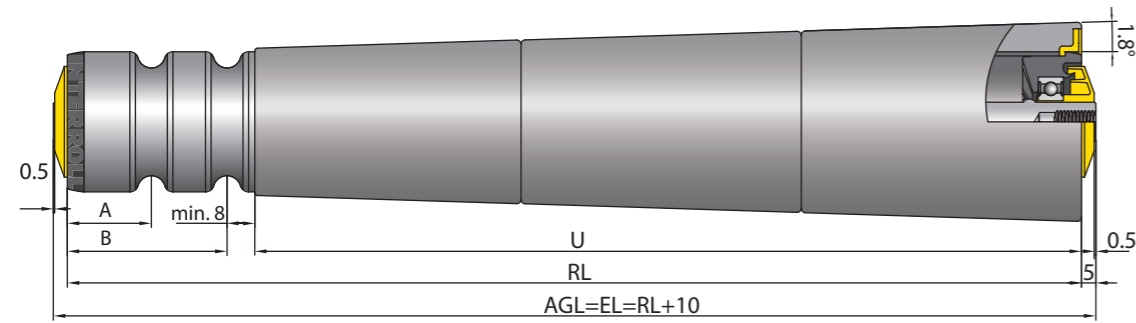


Conicity: 2.2°, color: gray (not antistatic)

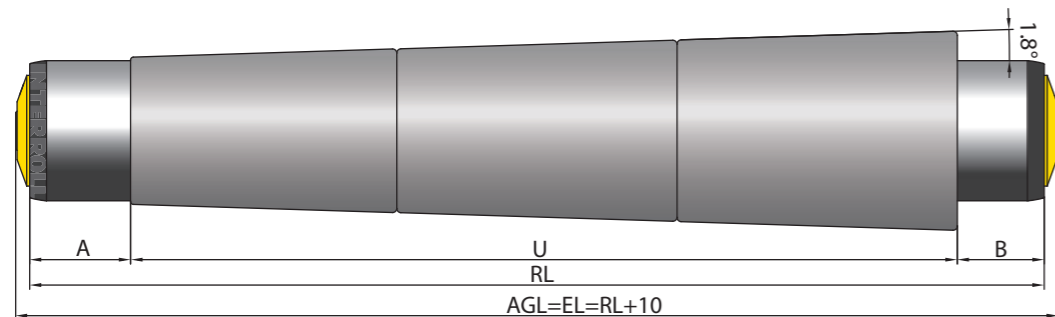
Reference length [mm]	Min. Ø [mm]	Max. Ø [mm]
190	56.0	70.6
240	56.0	74.4
290	56.0	78.3
340	56.0	82.1
440	56.0	89.8
540	56.0	97.5
640	56.0	105.2
740	56.0	112.8

For higher surface of the tube with respect to the tapered elements, it is also possible to obtain different reference lengths. The specified minimum diameters refer to the smallest diameter of the first tapered element. The reference lengths 150 mm and 200 mm as well as 950 mm and 1,000 mm do not receive an end cover.

Tapered elements with 1.8° female threaded shaft and 2 grooves



Tapered elements with 1.8° and tube projection on the right

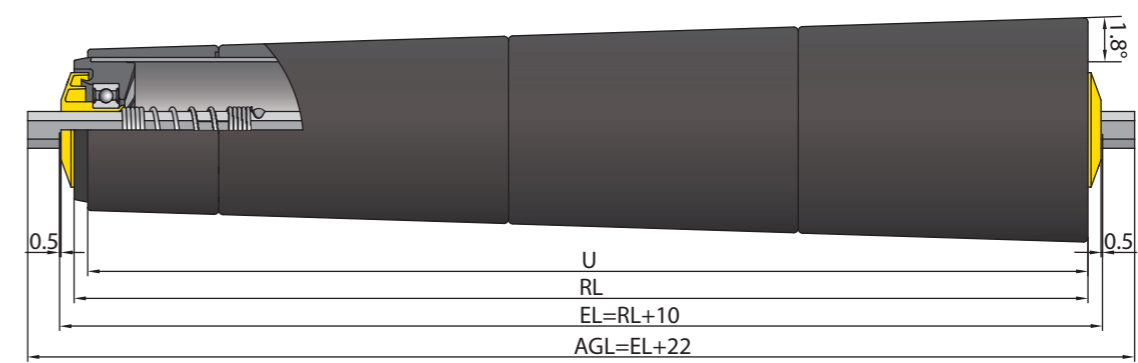


ROLLERS SERIES 1700KXO

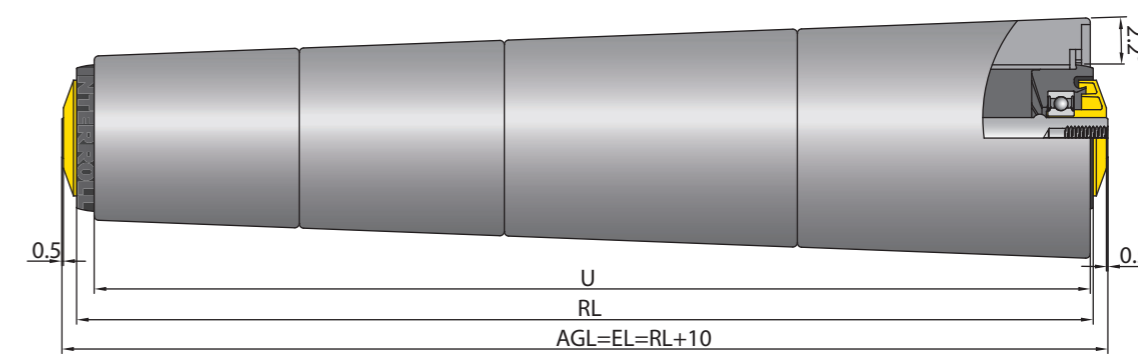
Tapered universal conveyor roller



Tapered elements with 1.8° and spring-loaded shaft



Tapered elements with 2.2°



ROLLERS

SERIES 1700 HEAVY

Universal conveyor roller



ROLLERS

SERIES 1700 HEAVY

Universal conveyor roller



Application area

Driven unit handling conveying and particularly driven conveyor systems, transport of medium-heavy to heavy materials, e.g. cardboards, containers, barrels, pallets or rims. Suitable for implementing gravity or gravity roller conveyors. Also usable for mechanical engineering applications. The version with steel tube and dimension 60 x 3 mm can also be used as belt idler.

Highest reliability

This roller series has been proven millions of times. The roller offers a very high degree of functional dependability.

Low-noise

The use of precision ball bearings, Technopolymer bearing housings and seals result in very quiet running.

Lateral loading

The tube ends are rounded, thereby allowing materials to be easily moved on from the side. Axial forces are removed through ball bearings and seals.

Robust construction

To obtain an axial fixing of bearing housing, ball bearing and seal against escaping, the bearing housing is not only pressed into the tube, but also flanged.



Technical data

General technical data	
Platform	1700
Max. load capacity	3000 N
Max. conveyor speed	2 m/s
Temperature range	-28 to +40 °C
Material	
Tube	Zinc-plated steel, stainless steel
Shaft	Uncoated steel, zinc-plated steel, stainless steel
Bearing housing	Polyamide, RAL9005 (jet black)
Seal	Polyamide, RAL1021 (rape yellow)
Bearing version	Precision steel and stainless steel ball bearing 6003 2RZ, bearing play C3, greased

Design versions

Tube sleeves	PVC sleeve (page 31) PU sleeve (page 33) Lagging (page 34)
Anti-static version	($10^6 \Omega$) Standard design for rollers with grooves or tube sleeves
Special tube surface treatment	Carbonitriding (only for tube with $\varnothing 50 \times 1.5$ mm)
Shafts	The following are available in addition to the variants listed in the load capacity tables: <ul style="list-style-type: none"> • With variable length • Different design of both shaft ends
Tube	The following are available in addition to the variants listed in the load capacity tables: <ul style="list-style-type: none"> • With flanges welded on • Seamless version for tube with $\varnothing 60 \times 3$ mm, noise-optimized for use as idler pulley • With grooves, e.g. for guiding round belts (does not apply to tube with $\varnothing 60 \times 3$ mm)
Noise reduction	For tube with $\varnothing 50$ mm

ROLLERS

SERIES 1700 HEAVY

Universal conveyor roller



Load capacities of series 1700 heavy

The following load capacity table refers to a temperature range from -5 to $+40$ °C and to a tube without grooves. The maximum static load at -28 °C to -6 °C measures 600 N.

Valid for the following shaft designs: female thread or male thread.

Bearing: 6003 2RZ.

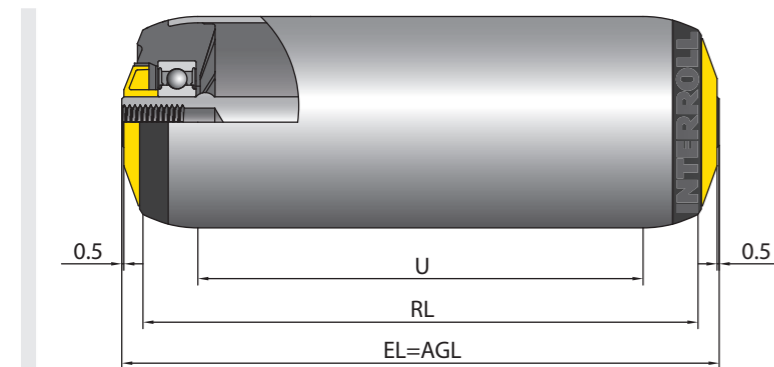
Tube material	Ø Tube / thickness [mm]	Ø Shaft [mm]	Maximum static load [N] for installation length [mm]							
			200	300	400	600	800	1000	1300	1600
Zinc-plated steel, stainless steel	50 x 1.5	17	3000	3000	3000	3000	1760	1120	655	430
	51 x 2.0	17	3000	3000	3000	3000	2420	1540	905	595
	60 x 3.0, standard/seamless	17	3000	3000	3000	3000	3000	3000	2135	1405

Dimensions

The dimensions of the conveyor roller depend on the shaft version. A sufficient axial play is already taken into account, so that only the actual lane width between side profiles is required for ordering. Ordering dimensions for tube sleeves, e.g. PVC sleeves, see page 31, and for flanges see page 36.

- RL = Reference length / ordering length
- EL = Installation length, inside diameter between side profiles
- AGL = Total length of shaft
- U = Usable tube length: Length without bearing housing and for flanged metal tube without length of flanging

Female threaded shaft



Ø Tube [mm]	Ø Shaft [mm]	EL [mm]	AGL [mm]	U [mm]
50 x 1.5; 60 x 3	17	RL + 10	RL + 10	RL - 26
51 x 2	17	RL + 10	RL + 10	RL - 28

ROLLERS SERIES 3500 LIGHT

Fixed drive conveyor roller



ROLLERS SERIES 3500 LIGHT

Fixed drive conveyor roller



Application area

Driven unit handling conveying, transport of cardboards or containers with small dimensions. Suitable in the packaging industry, in assembly machines or for implementing machine chains.

Flexible design

The product is available in numerous chain drive versions. This allows implementing wrapping and tangential chain drives.

High-quality bearing

Sealed precision ball bearings of type 689 2Z are used.

Lateral loading

The tube ends are rounded, thereby allowing materials to be easily moved on from the side. Axial forces are removed through ball bearings and seals.

Small roller pitches

Small roller pitches can be implemented by using rollers with a diameter of 30 mm.



Technical data

General technical data	
Platform	1700
Max. load capacity	150 N
Max. conveyor speed	0.5 m/s
Temperature range	-5 to +40 °C
Material	
Tube	Zinc-plated steel, stainless steel
Shaft	Uncoated steel, zinc-plated steel, stainless steel
Bearing housing	Polyamide, RAL9005 (jet black)
Drive head	Uncoated steel (the sprocket heads including tube are zinc-plated after welding them on)
Seal	Polyamide on drive side each in RAL1021 (rape yellow)
Bearing version	Precision steel ball bearing 689 2Z, greased

Design versions

Tube sleeves	PVC sleeve (page 31)
Anti-static version	($10^6 \Omega$) Standard design for rollers with grooves or tube sleeves
Shafts	The following are available in addition to the variants listed in the load capacity tables: <ul style="list-style-type: none"> • With variable length • Different design of both shaft ends

ROLLERS

SERIES 3500 LIGHT

Fixed drive conveyor roller



ROLLERS

SERIES 3500 LIGHT

Fixed drive conveyor roller

Load capacities of series 3500 light

The load capacity table refers to a temperature range of +5 to +40 °C.
Valid for the following shaft designs: female thread or male thread.

Bearing: 689 2Z.

Tube material	Ø Tube / thickness [mm]	Drive element	Ø Shaft [mm]	Maximum static load [N] for installation length [mm]		
				200	400	600
Steel	30 x 1.2	Welded steel sprocket head 3/8", T12	8	150	150	150
		Welded steel double sprocket head 3/8", T12	8	150	150	150

T = Number of teeth

Dimensions

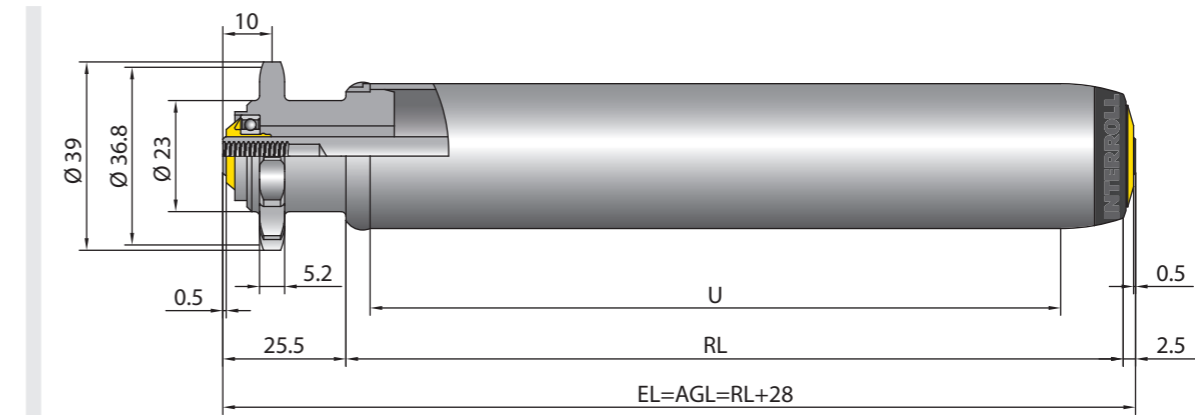
A sufficient axial play is already taken into account, so that the actual lane width between side profiles is required. The dimensions of the conveyor roller depend on the shaft version and the drive element.
Ordering dimensions for tube sleeves, e.g. PVC sleeves, see page 31.

- RL = Reference length / ordering length
- EL = Installation length, inside diameter between side profiles
- AGL = Total length of shaft
- U = Usable tube length: Length without bearing housing and for flanged metal tube without length of flanging

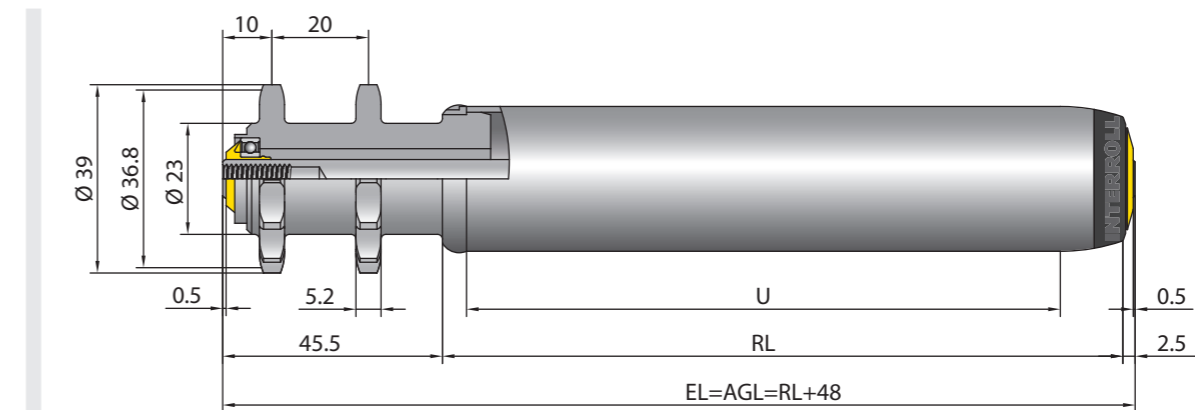
Ø Tube [mm]	Tube material	Ø Shaft [mm]	Drive element	EL [mm]	AGL [mm]	U [mm]
30 x 1.2	Steel	8	Welded steel sprocket head 3/8", T12	RL + 28	RL + 28	RL - 21
			Welded steel double sprocket head 3/8", T12	RL + 48	RL + 48	

T = Number of teeth

3/8" steel sprocket head with 12 teeth



3/8" steel double sprocket head with 12 teeth



ROLLERS SERIES 3500

Fixed drive conveyor roller



Application area

Driven unit handling conveying, such as transport of cardboards, containers, barrels or tires.

Low-noise

The use of polyamide drive heads results in very quiet running.

Lateral loading

The tube ends are rounded, thereby allowing materials to be easily moved on from the side. Axial forces are removed through ball bearings and seals.

Robust construction

An axial fixation of the bearing assembly (bearing housing, ball bearing, seal) on the non-drive side can be accomplished in several ways. For the design with steel tube, the bearing assembly is pressed into the tube and then flanged. For the design with PVC tube, it is fitted with a groove inside the tube in which the press-in edge of the bearing housing engages. For the designs with PolyVee and round belt, the drive bearing assembly is also pressed into the tube and then flanged.

Modular construction

With a permanently installed bearing housing for a tube diameter of 50 and 60 mm, insertable polyamide drive heads, such as sprocket, toothed belt and flat belt heads, are interchangeable and can also be exchanged with friction heads. Numerous drive versions are available with flat, PolyVee, round or toothed belts as well as chains.

· Round belt drive head

With the round belt drive head, the drive section is separated from the conveying section, so that materials cannot be shifted due to batching belts. Since the drive head has a higher friction because of grooves in the metal tube, the result is a higher conveyance of the round belts. If the round belts should slip because of the application, then the wear of the belts on a round belt drive head is higher.

· PolyVee drive head

The nine grooves of the drive head allow the use of 2-rib, 3-rib or 4-rib PolyVee belts. Compared with a round belt, the use of a 2-rib belt allows transferring approximately twice the torque.



ROLLERS SERIES 3500

Fixed drive conveyor roller



Technical data

General technical data	
Platform	1700
Max. load capacity	2000 N
Max. conveyor speed	2.0 m/sec (0.5 m/sec with chain)
Temperature range	-28 to +40 °C (rollers with toothed belt drive -5 to +40 °C) For rollers with PolyVee or round belt drive head in freezer area, oiled ball bearings are recommended. PVC tube: With increased ambient temperature (from +30 °C) and high continuous static load over hours, a permanent deformation of the rollers cannot be ruled out. - Minimum temperature: -5 °C
Material	
Tube	Zinc-plated steel, stainless steel, aluminum PVC: RAL7030 (stone gray) RAL5015 (sky blue)
Shaft	Uncoated steel, zinc-plated steel, stainless steel; tapered shaft-shuttle: Polyamide (antistatic design)
Bearing housing	Polyamide, RAL9005 (jet black)
Drive head	Polyamide, RAL9005 (jet black), sprockets also in uncoated steel (the sprocket heads including tube are zinc-plated after welding them on)
Seal	Polypropylene and polyamide on drive side each in RAL1021 (rape yellow)
Bearing version	Precision steel ball bearing 6002 2RZ, precision stainless steel ball bearing 6002 2RZ, bearing play each C3

ROLLERS SERIES 3500

Fixed drive conveyor roller



ROLLERS SERIES 3500

Fixed drive conveyor roller

Design versions

Tube sleeves	PVC sleeve (page 31) PU sleeve (page 33) Lagging (page 34)
Anti-static version	(<10 ⁶ Ω) Standard design for rollers with grooves or tube sleeves, not for PVC tube
Special tube surface treatment	Carbonitriding Chrome-plating
Lubrication options for ball bearing	Greased for an ambient temperature from -5 to +40 °C (standard) Oiled for an ambient temperature from -28 to +20 °C
Shafts	The following are available in addition to the variants listed in the load capacity tables: <ul style="list-style-type: none"> • With spring on both sides • With variable length • Different design of both shaft ends
Tube	The following are available in addition to the variants listed in the load capacity tables: <ul style="list-style-type: none"> • With flanges welded on
Drives	The following are available in addition to the variants listed in the load capacity tables: <ul style="list-style-type: none"> • The drive heads for round, PolyVee and toothed belt can be designed with an additional fixation for temperature-sensitive applications (freezer applications). This fixation is located inside the roller and creates a form-fit torque transfer between tube and drive head. Hence, damages to materials or collecting adhesive tape at the outside of interfering corners is being avoided.
Noise reduction	For tube with Ø 50 mm

Load capacities of series 3500 with screw-connected installation

The load capacity table refers to a temperature range of +5 to +40 °C.
The maximum static load at -28 °C to -6 °C measures 350 N.

Valid for the following shaft designs: female thread or male thread.

Bearing: 6002 2RZ.

Tube material	Ø Tube / thickness [mm]	Drive element	Ø Shaft [mm]	Maximum static load [N] for installation length [mm]						
				200	400	600	800	1000	1200	1400
Aluminum	50 x 1.5	PolyVee drive head	12, 14	350	350	350	350	350	255	190
		Round belt drive head	12, 14	350	350	350	350	350	255	190
PVC	50 x 2.8	Polymer sprocket head 1/2", T14	12	1060	185	75	40	-	-	-
		Polymer double sprocket head 1/2", T14		935	215	80	45	-	-	-
		Polymer sprocket head 1/2", T9 and T14	14	300	185	75	40	-	-	-
		Polymer sprocket head 1/2", T14		1060	185	75	40	-	-	-
		Polymer double sprocket head 1/2", T14		1475	215	80	45	-	-	-

Tube material	Ø Tube / thickness [mm]	Drive element	Ø Shaft [mm]	Maximum static load [N] for installation length [mm]						
				200	400	600	800	1000	1200	1400
	63 x 3	Polymer sprocket head 1/2", T14	14	2100	410	165	90	-	-	-
		Polymer double sprocket head 1/2", T14		1485	470	180	95	-	-	-
Steel	40 x 1.5	Polymer double sprocket head 1/2", T14	12	800	770	685	655	640	630	620
		Polymer sprocket head 1/2", T9	14	300	300	300	300	300	300	300
		Polymer toothed belt drive head 8, T18		800	800	800	800	800	800	600
Steel	50 x 1.5	Polymer sprocket head 1/2", T14	12	1320	975	915	885	870	830	600
		Polymer double sprocket head 1/2", T14		935	770	685	655	640	630	620
		PolyVee drive head		350	350	350	350	350	350	350
		Round belt drive head		350	350	350	350	350	350	350
		Polymer flat belt drive head 38 mm	14	2000	1510	1405	1360	1220	830	601
		Polymer sprocket head 1/2", T9 and T14		300	300	300	300	300	300	300
		Polymer sprocket head 1/2", T13 and T14		1500	1500	1450	1405	1215	825	600
		Polymer double sprocket head 3/8", T20		1500	1500	1450	1405	1215	825	600
		Polymer toothed belt drive head 8, T18		1500	1500	1450	1405	1215	825	600
		Polymer double sprocket head 1/2", T14		1485	1222	1090	1040	1015	860	620
		PolyVee drive head		350	350	350	350	350	350	350
		Round belt drive head		350	350	350	350	350	350	350
		Welded steel sprocket head 1/2", T14		2000	2000	2000	1760	1120	775	565
		Welded steel double sprocket head 1/2", T14		2000	2000	2000	1760	1120	775	565
		Steel	60 x 1.5	Polymer sprocket head 1/2", T14	12	1320	975	915	885	870
Polymer double sprocket head 1/2", T14				935	770	685	655	640	630	620
Polymer flat belt drive head 38 mm	14			2000	1510	1405	1360	1340	1325	1055
Polymer sprocket head 1/2", T9 and T14				300	300	300	300	300	300	300
Polymer sprocket head 1/2", T14				1500	1500	1450	1405	1385	1370	1050
Polymer double sprocket head 3/8", T20				1500	1500	1450	1405	1385	1370	1050
Polymer toothed belt drive head 8, T18				1500	1500	1450	1405	1385	1370	1050
Polymer double sprocket head 1/2", T14				1485	1220	1090	1040	1015	1000	990
Welded steel sprocket head 1/2", T14				2000	2000	2000	2000	1960	1355	990
Welded steel double sprocket head 1/2", T14				2000	2000	2000	2000	1960	1355	990

T = Number of teeth

ROLLERS SERIES 3500

Fixed drive conveyor roller



Load capacities of series 3500 with loose installation

The load capacity table refers to a temperature range of +5 to +40 °C.
The maximum static load at -28 °C to -6 °C measures 350 N.

Bearing: 6002 2RZ.

Tube material	Ø Tube / thickness [mm]	Shaft design	Drive element	Ø Shaft [mm]	Maximum static load [N] for installation length [mm]						
					200	400	600	800	1000	1200	1400
Steel	50 x 1.5	Spring-loaded shaft; fixed shaft; flatted shaft	PolyVee drive head	11 HEX	350	350	350	350	350	350	350
			Round belt drive head		350	350	350	350	350	350	350
	50 x 1.5	Tapered shaft-shuttle	PolyVee drive head	11 TH	350	350	350	350	350	350	350
			Round belt drive head		350	350	350	350	350	350	350

HEX = hexagon
TH = tapered hexagon

Dimensions

A sufficient axial play is already taken into account, so that the actual lane width between side profiles is required. The dimensions of the conveyor roller depend on the shaft version and the drive element.
Ordering dimensions for tube sleeves, e.g. PVC sleeves, see page 31, and for flanges see page 36.

RL = Reference length / ordering length
EL = Installation length, inside diameter between side profiles
AGL = Total length of shaft
U = Usable tube length: Length without bearing housing and for flanged metal tube without length of flanging

Ø Tube [mm]	Tube material	Ø Shaft [mm]	Drive element	EL [mm]	AGL [mm]	U [mm]
50 x 1.5	Aluminum	12, 14	PolyVee, round belt drive head	RL + 36	RL + 36	RL - 23
50 x 2.8	PVC	12	Polymer sprocket head 1/2", T14	RL + 40	RL + 40	RL - 12
			Polymer double sprocket head 1/2", T14	RL + 62	RL + 62	
		14	Polymer sprocket head 1/2", T9, T11 and T14	RL + 40	RL + 40	
			Polymer double sprocket head 1/2", T14	RL + 62	RL + 62	
63 x 3	PVC	14	Polymer sprocket head 1/2", T14	RL + 40	RL + 40	RL - 12
			Polymer double sprocket head 1/2", T14	RL + 62	RL + 62	
40 x 1.5	Steel	12	Polymer double sprocket head 1/2", T14	RL + 62	RL + 62	RL - 18
			14	Polymer sprocket head 1/2", T9 and T14	RL + 40	RL + 40
			Polymer toothed belt drive head T8, T18			

ROLLERS SERIES 3500

Fixed drive conveyor roller



Ø Tube [mm]	Tube material	Ø Shaft [mm]	Drive element	EL [mm]	AGL [mm]	U [mm]		
50 x 1.5	Steel	12	Polymer sprocket head 1/2", T14	RL + 40	RL + 40	RL - 19		
			Polymer double sprocket head 1/2", T14	RL + 62	RL + 62			
			PolyVee, round belt drive head	RL + 36	RL + 36	RL - 23		
			14	Polymer flat belt drive head 38 mm	RL + 40	RL + 40	RL - 19	
				Polymer sprocket head 1/2", T9, T11, T13 and T14				
				Polymer double sprocket head 3/8", T20				
				Polymer toothed belt drive head 8, T18				
		Polymer double sprocket head 1/2", T14	RL + 62	RL + 62				
		PolyVee, round belt drive head	RL + 36	RL + 36	RL - 23			
		Welded steel sprocket head 1/2", T14	RL + 40	RL + 40	RL - 23			
		Welded steel double sprocket head 1/2", T14	RL + 62	RL + 62				
		60 x 1.5	Steel	12	Polymer sprocket head 1/2", T14	RL + 40	RL + 40	RL - 19
					Polymer double sprocket head 1/2", T14	RL + 62	RL + 62	
					14	Polymer flat belt drive head 38 mm	RL + 40	RL + 40
14	Polymer sprocket head 1/2", T9, T11 and T14							
	Polymer double sprocket head 3/8", T20							
	Polymer toothed belt drive head 8, T18							
	Polymer double sprocket head 1/2", T14			RL + 62	RL + 62			
Welded steel sprocket head 1/2", T14	RL + 40	RL + 40	RL - 23					
Welded steel double sprocket head 1/2", T14	RL + 62	RL + 62						

T = Number of teeth

ROLLERS SERIES 3500

Fixed drive conveyor roller

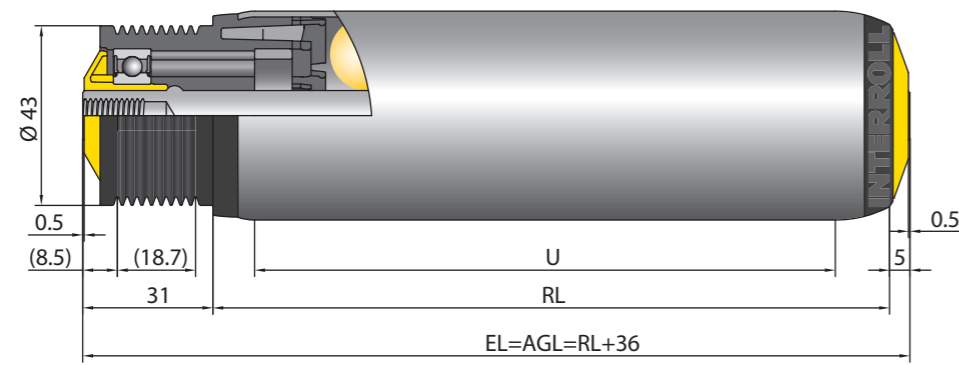


ROLLERS SERIES 3500

Fixed drive conveyor roller

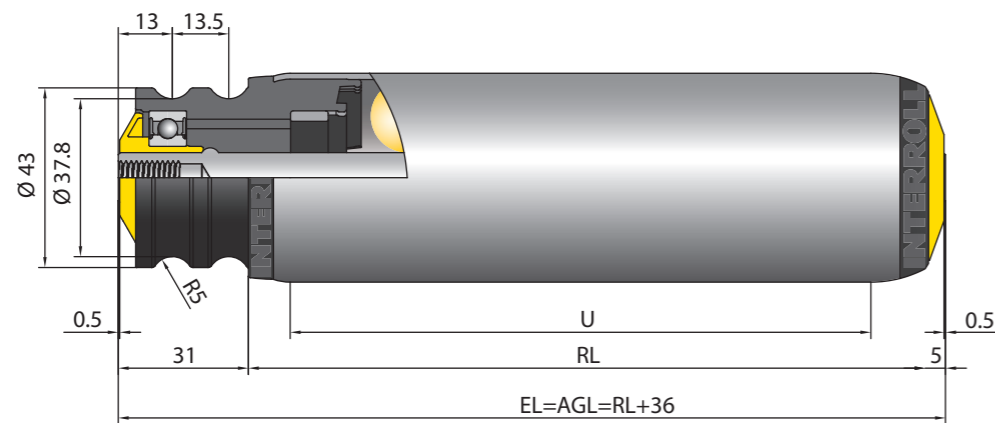


PolyVee drive head and female threaded shaft

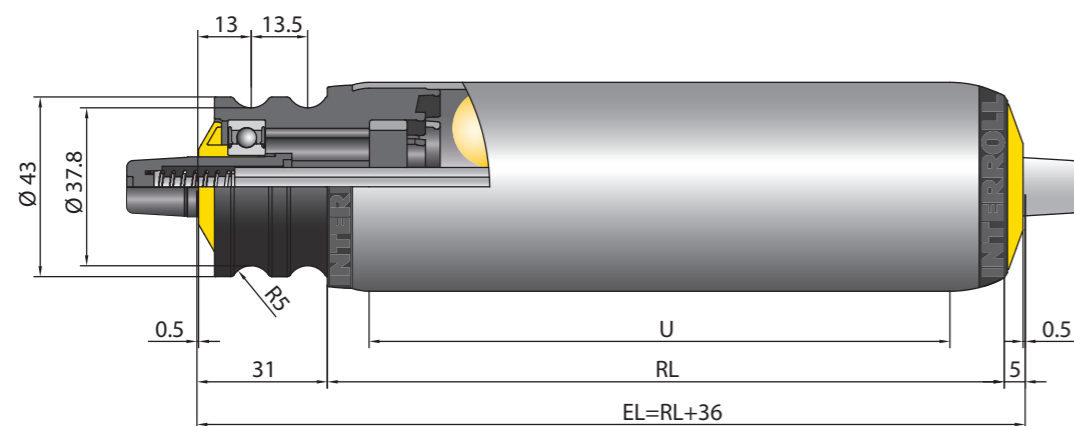


- PolyVee belt see page 238
- PolyVee tensioning device see page 239
- PolyVee finger guard see page 239

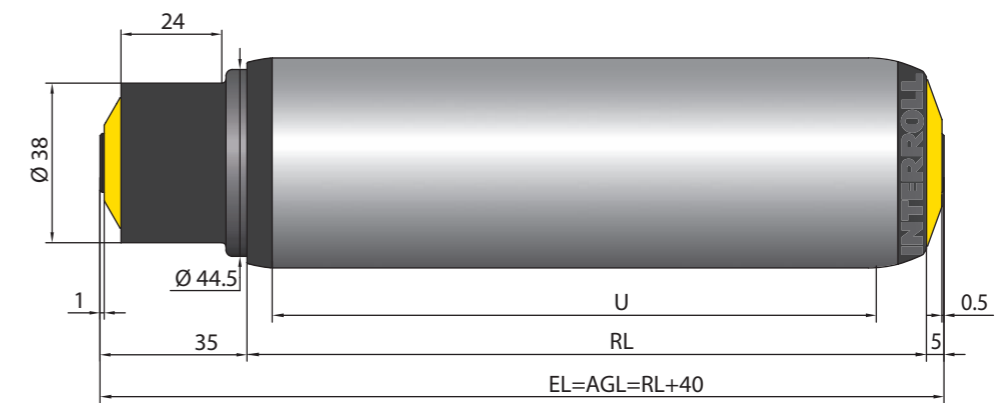
Round belt drive head and female threaded shaft



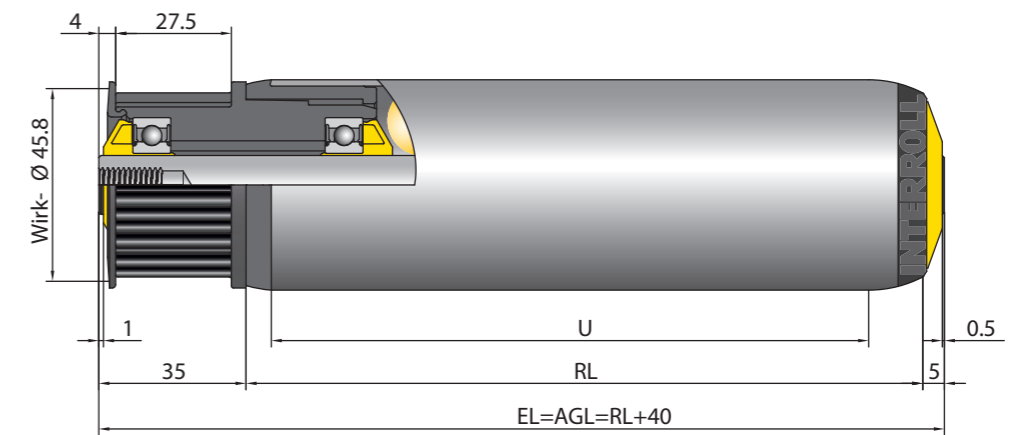
Round belt drive head and tapered shaft-shuttle



Flat belt drive head and female threaded shaft



Toothed belt drive head (8 pitch and 18 teeth)



Interroll recommends a max. belt width of 12 mm and a poly chain GT gearing.

ROLLERS SERIES 3500

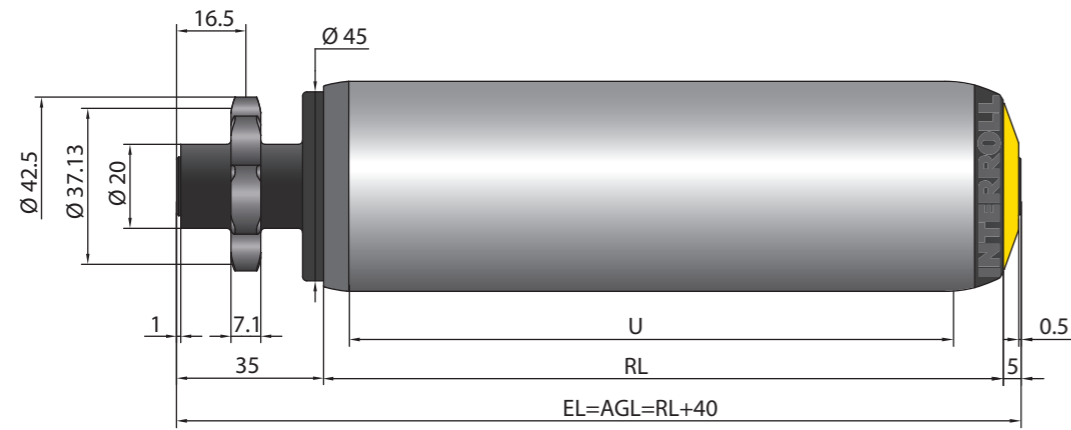
Fixed drive conveyor roller



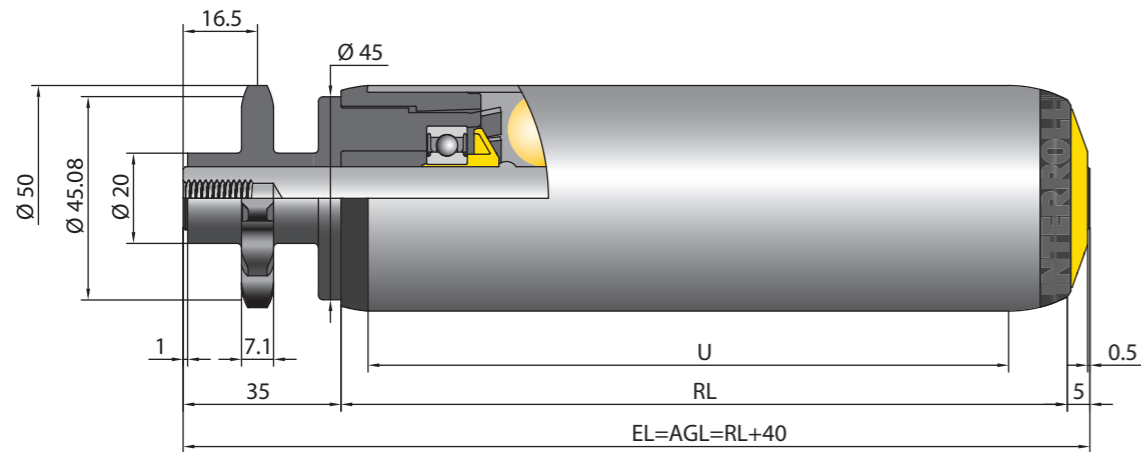
ROLLERS SERIES 3500

Fixed drive conveyor roller

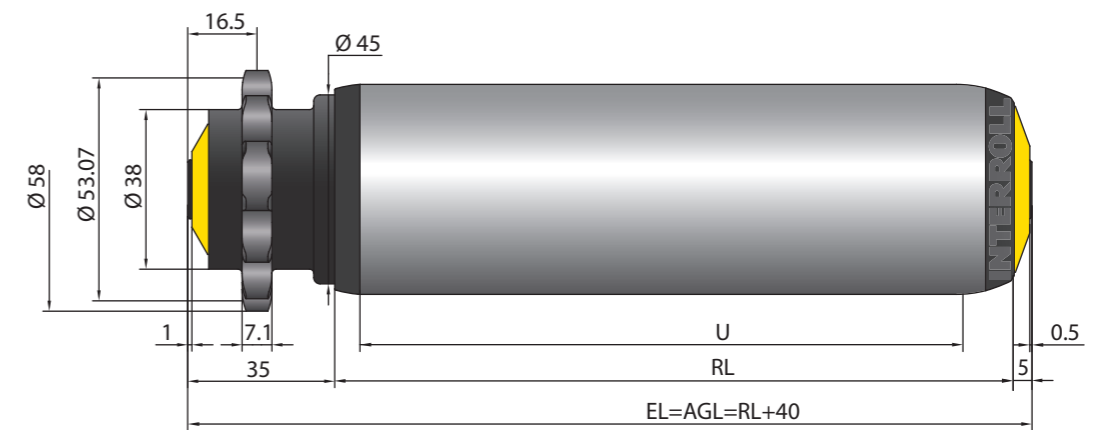
1/2" polymer sprocket head with 9 teeth



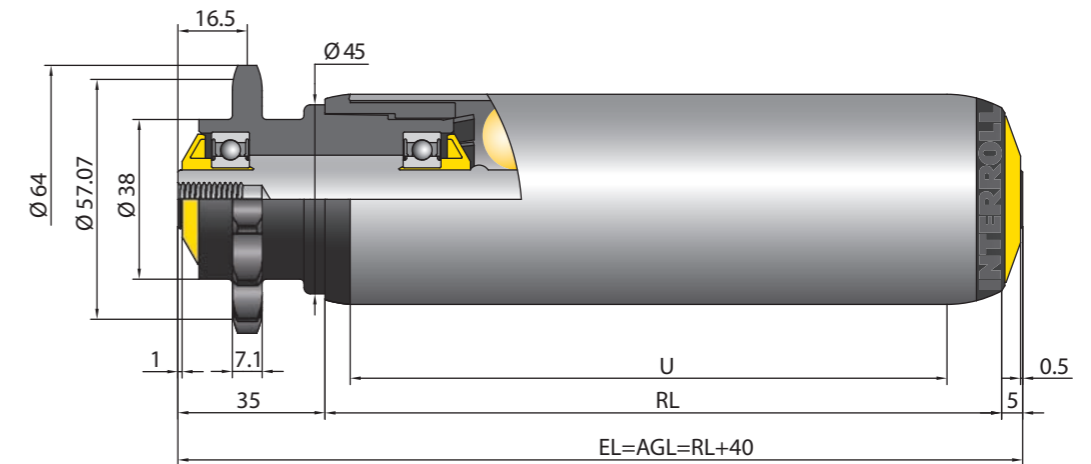
1/2" polymer sprocket head with 11 teeth



1/2" polymer sprocket head with 13 teeth



1/2" polymer sprocket head with 14 teeth



ROLLERS SERIES 3500

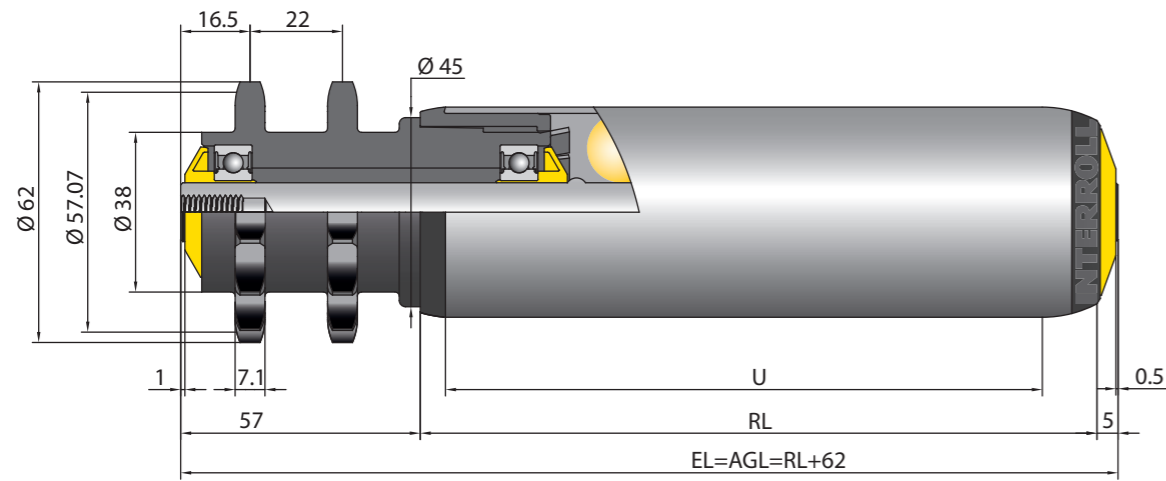
Fixed drive conveyor roller



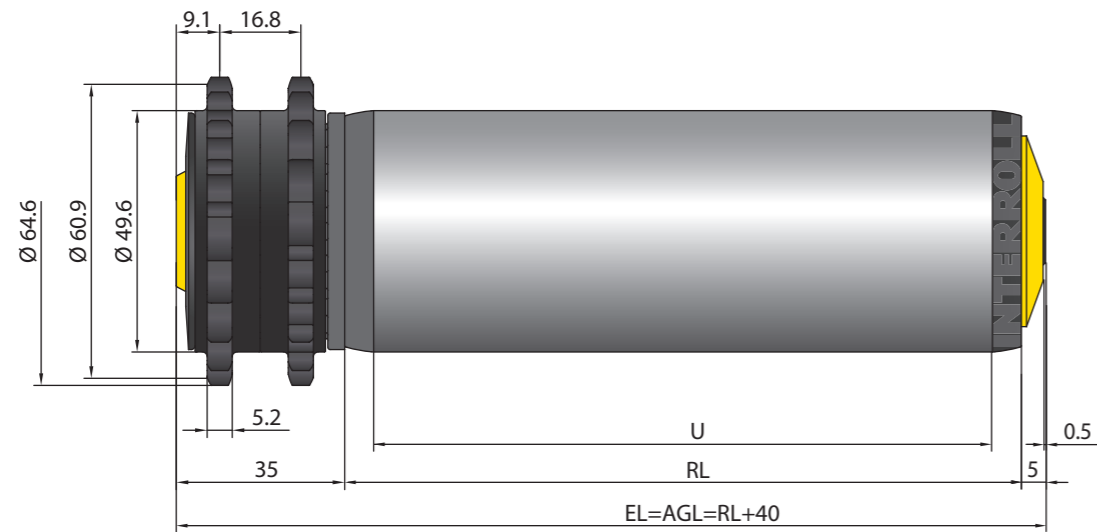
ROLLERS SERIES 3500

Fixed drive conveyor roller

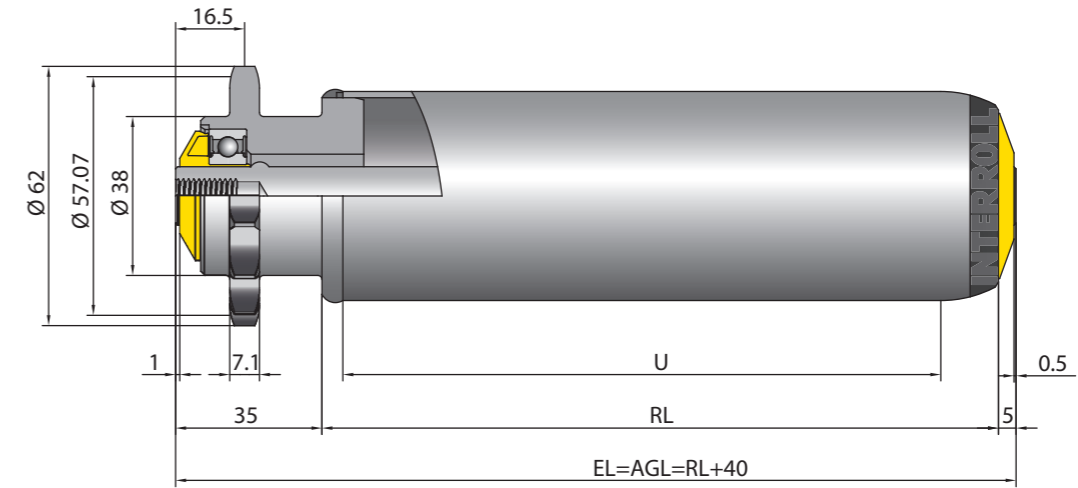
1/2" polymer double sprocket head with 14 teeth



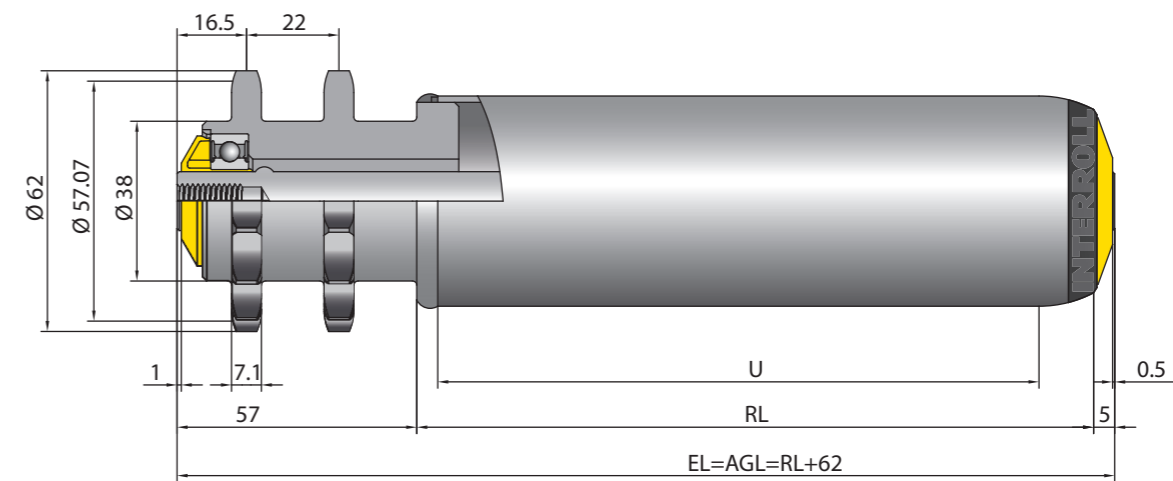
3/8" polymer double sprocket head with 20 teeth



Welded 1/2" steel sprocket head with 14 teeth



Welded 1/2" steel double sprocket head with 14 teeth



ROLLERS

SERIES 3500KXO LIGHT

Fixed drive curve roller



Application area

Driven unit handling conveying, such as transport of small cardboards or containers. Suitable for implementing driven roller curves in the packaging industry and for assembly machines as well as for implementing machine chains.

Good starting properties

Since the tapered elements are made of polypropylene, the net weight is low.

Tight curve radii

Using elements with a conicity of 1.8° allows implementing curve radii of only 357 mm.

Robust construction

The tapered elements are abrasion-proof, noise-reducing, impact-resistant and excel through a high weather-resistance.

Additional components in the scope of delivery

The rollers are delivered with four taper disks and two ball sockets so that an angle compensation can be created during fastening.



ROLLERS

SERIES 3500KXO LIGHT

Fixed drive curve roller



Technical data

General technical data	
Platform	1700
Max. load capacity	150 N
Max. conveyor speed	0.8 m/s
Anti-static version	No
Temperature range	-5 to +40 °C with greased ball bearing
Material	
Tube	Zinc-plated steel, stainless steel, aluminum
Shaft	Uncoated steel, zinc-plated steel, stainless steel
Tapered cones	Polypropylene, RAL9005 (jet black)
Bearing housing	Polyamide, RAL9005 (jet black)
Seal	Polypropylene, RAL1021 (rape yellow)
End cover	Cover from round belt guides; starting at a reference length of 300 mm, the round belt guides no longer cover the tapered element in its entirety
Drive head	Polyamide RAL 9005 (jet black)
Bearing version	Precision steel ball bearing 689 2Z, bearing play C0

An antistatic element is always present in the tube of a roller with tapered elements.

Design versions

Shaft: Ø 8 mm with M6 x 15 female thread

Reference length with tapered elements with round belt guides

Reference length [mm]	150	200	250	300	350	400	450	500	550	600
Min. Ø [mm]	23.4	23.4	23.4	23.4	23.4	23.4	23.4	23.4	23.4	23.4
Max. Ø [mm]	31.4	34.5	37.7	40.8	43.9	47.1	50.2	53.4	56.5	59.6

The specified minimum diameters refer to the smallest diameter of the first tapered element. Other lengths except the listed reference lengths are not available. A tube projection is not possible.

ROLLERS SERIES 3500KXO LIGHT

Fixed drive curve roller



ROLLERS SERIES 3500KXO LIGHT

Fixed drive curve roller

Load capacities of series 3500KXO light with screw-connected installation

The load capacity table refers to a temperature range of +5 to +40 °C.
Valid for the following shaft designs: female thread.

Bearing: 689 2Z.

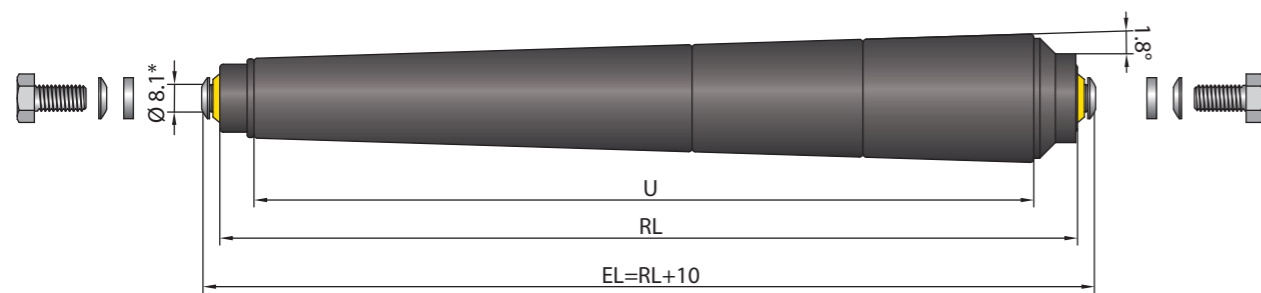
Tube material	Ø Tube / thickness [mm]	Drive element	Ø Shaft [mm]	Maximum static load [N] for installation length [mm]		
				200	400	600
Zinc-plated steel, stainless steel, aluminum	20 x 1.5	Round belt guides on large diameter	8	150	150	150

Dimensions

A sufficient axial play is already taken into account, so that the actual lane width between side profiles is required. The dimensions of the conveyor roller depend on the shaft version and the drive element.

- RL = Reference length / ordering length
- EL = Installation length, inside diameter between side profiles
- U = Usable tube length: Length of tapered elements

Fastening with angle compensation disks



* The recommended profile holes have a dimension of Ø 8.1 mm

Ø Tube [mm]	Tube material	Ø Shaft [mm]	RL [mm]	U [mm]	Min. Ø [mm]	Max. Ø [mm]
20 x 1.5	Zinc-plated steel/stainless steel/aluminum	8	150	128	23.4	31.4
			200	178	23.4	34.5
			250	228	23.4	37.7
			300	278	23.4	40.8
			350	328	23.4	43.9
			400	378	23.4	47.1
			450	428	23.4	50.2
			500	478	23.4	53.4
			550	528	23.4	56.5
			600	578	23.4	59.7

ROLLERS SERIES 3500KXO

Fixed drive curve roller



Application area

Driven unit handling conveying in the curve section, e.g. of cardboards, containers or tires. Suitable for implementing gravity or driven roller curves. Tight curve radii are possible if tapered elements with a conicity of 2.2° are used.

High reliability

This roller series has been proven millions of times. Contrary to conventional curve rollers, the elements are secured against shifting. This allows the roller to offer a very high degree of functional dependability.

Low-noise

The use of polyamide drive heads results in very quiet running.

Good running properties

The tapered elements made of polypropylene distinguish themselves with a low net weight so that good startup properties can be achieved.

Robust construction

Robust tapered elements are abrasion-proof, noise-reducing, impact-resistant and excel through a high weather-resistance.

Variants

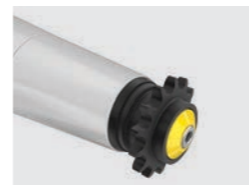
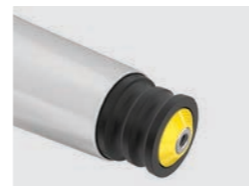
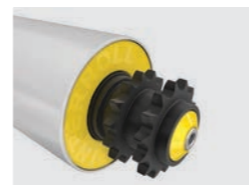
Depending on the requirement, the curve rollers can be supplied with drive heads for PolyVee belts, round belts or chains.

• Round belt drive head

With the round belt head, the drive section is separated from the conveying section, so that materials cannot be shifted due to batching belts. Since the drive head has a higher friction because of grooves in the metal tube, the result is a higher conveyance of the round belts. If the round belts should slip because of the application, then the wear of the belts on a round belt drive head is higher.

• PolyVee drive head

Compared with a round belt, the use of a 2-rib belt allows transferring approximately twice the torque. Conveying and drive technology are physically separated. A groove must remain clear between two belts so that the belts cannot touch.



ROLLERS SERIES 3500KXO

Fixed drive curve roller



Technical data

General technical data			
Differentiation of tapered elements	Conicity 1.8° Color Gray	Conicity 1.8° Color Black	Conicity 2.2° Color Gray
Platform	1700	1700	1700
Max. load capacity	500 N	500 N	500 N
Max. conveyor speed	2 m/s (chain drive 0.5 m/s)	2 m/s (chain drive 0.5 m/s)	2 m/s (chain drive 0.5 m/s)
Anti-static version (< 10 ⁶ Ω)	No	Yes	No
Impact-resistant version	Yes	Yes	Yes
Temperature range	-5 to +40 °C with greased ball bearing -28 to +20 °C with oiled ball bearing	-5 to +40 °C with greased ball bearing -28 to +20 °C with oiled ball bearing	-5 to +40 °C with greased ball bearing -28 to +20 °C with oiled ball bearing
Material			
Tube	Zinc-plated steel, stainless steel, aluminum	Zinc-plated steel, stainless steel, aluminum	Zinc-plated steel, stainless steel, aluminum
Shaft	Uncoated steel, zinc-plated steel, stainless steel	Uncoated steel, zinc-plated steel, stainless steel	Uncoated steel, zinc-plated steel, stainless steel
Color of tapered elements	RAL7030 (stone gray)	RAL9005 (jet black)	RAL7030 (stone gray)
Material of tapered cones	Polypropylene	Polypropylene	Polypropylene
Bearing housing	Polyamide, RAL9005 (jet black)	Polyamide, RAL9005 (jet black)	Polyamide, RAL9005 (jet black)
Seal	Polypropylene, RAL1021 (rape yellow)	Polypropylene, RAL1021 (rape yellow)	Polypropylene, RAL1021 (rape yellow)
End cover	Polypropylene, RAL1021 (rape yellow)	Polypropylene, RAL1021 (rape yellow)	Metal disk, not completely closing
Drive head	Polyamide, RAL 9005 (jet black), sprocket also in steel		
Bearing version	Precision steel ball bearing 6002 2RZ, precision stainless steel ball bearing 6002 2RZ, bearing play each C3		

An antistatic element is always present in the tube of a roller with tapered elements.

To prevent any damages from static charging or discharging, Interroll recommends the use of black tapered elements.

ROLLERS

SERIES 3500KXO

Fixed drive curve roller



Design versions

Lubrication options for ball bearing	Greased for an ambient temperature from -5 to +40 °C (standard) Oiled for an ambient temperature from -28 to +20 °C
Shafts	The following are available in addition to the variants listed in the load capacity tables: <ul style="list-style-type: none"> • With spring on both sides • With variable length • Different design of both shaft ends
Drives	The following are available in addition to the variants listed in the load capacity tables: <ul style="list-style-type: none"> • The drive heads for round and PolyVee belt can be designed with an additional fixation for temperature-sensitive applications (freezer applications). This fixation is located inside the roller and creates a form-fit torque transfer between tube and drive head. Hence, damages to materials or collecting adhesive tape at the outside of interfering corners is being avoided.

Load capacities of series 3500KXO with screw-connected installation

The load capacity table refers to a temperature range of +5 to +40 °C.
The maximum static load at -28 °C to -6 °C measures 350 N.

Valid for the following shaft designs: female thread or male thread.

Bearing: 6002 2RZ.

Tube material	Ø Tube / thickness [mm]	Drive element	Ø Shaft [mm]	Maximum static load [N] for installation length [mm]				
				200	400	600	800	1000
Steel	50 x 1.5	PolyVee drive head at the small diameter	12	350	350	350	350	350
		Round belt drive head at the small diameter		350	350	350	350	350
		Polymer double sprocket head 1/2", T14		500	500	500	500	500
		Steel double sprocket head 1/2", T14		500	500	500	500	500
	14	PolyVee drive head at the small diameter	14	350	350	350	350	350
		Round belt drive head at the small diameter		350	350	350	350	350
		Polymer sprocket head 1/2", T9		300	300	300	300	300
		Polymer sprocket head 1/2", T14		500	500	500	500	500
		Steel sprocket head 1/2", T14		500	500	500	500	500
		Polymer double sprocket head 3/8", T20 at the large diameter		500	500	500	500	500
		Polymer double sprocket head 1/2", T14 at the large diameter		500	500	500	500	500
		Steel double sprocket head 1/2", T14 at the large diameter		500	500	500	500	500

T = Number of teeth

ROLLERS

SERIES 3500KXO

Fixed drive curve roller



Load capacities of series 3500KXO with loose installation

The load capacity table refers to a temperature range of +5 to +40 °C.
The maximum static load at -28 °C to -6 °C measures 350 N.

Valid for the following shaft designs: spring-loaded shaft, fixed shaft or flatted shaft.

Bearing: 6002 2RZ.

Tube material	Ø Tube / thickness [mm]	Drive element	Ø Shaft [mm]	Maximum static load [N] for installation length [mm]				
				200	400	600	800	1000
Steel	50 x 1.5	PolyVee drive head at the small diameter	8, 11 HEX, 12	350	350	350	350	350
		Round belt drive head at the small diameter		350	350	350	350	350

HEX = hexagon

Dimensions

A sufficient axial play is already taken into account, so that the actual lane width between side profiles is required. The dimensions of the conveyor roller depend on the shaft version and the drive element.

RL = Reference length / ordering length

EL = Installation length, inside diameter between side profiles

AGL = Total length of shaft

U = Usable tube length: Length of tapered elements

ROLLERS

SERIES 3500KXO

Fixed drive curve roller



ROLLERS

SERIES 3500KXO

Fixed drive curve roller

Reference lengths with tapered elements

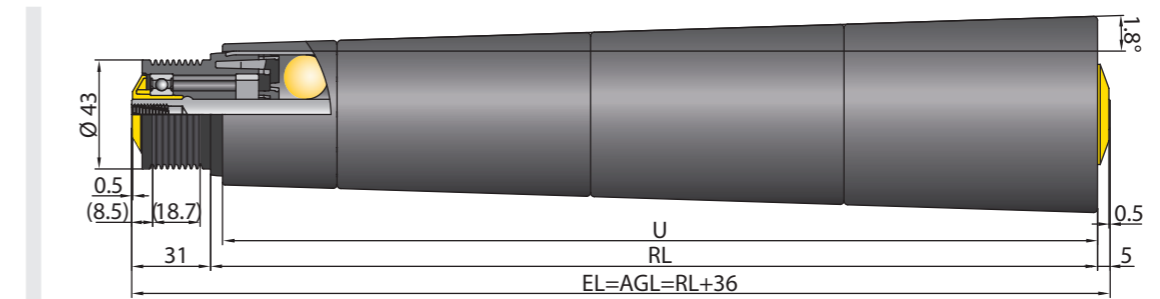
Conicity: 1.8°, color: gray (not antistatic)			Conicity: 1.8°, color: black (antistatic)		
Reference length [mm]	Min. Ø [mm]	Max. Ø [mm]	Reference length [mm]	Min. Ø [mm]	Max. Ø [mm]
150	55.6	64.8	150	55.6	64.8
200	52.5	64.8	200	52.5	64.8
250	55.6	71.2	250	55.6	71.2
300	52.5	71.2	300	52.5	71.2
350	55.6	77.6	350	55.6	77.6
400	52.5	77.6	400	52.5	77.6
450	55.6	84.0	450	55.6	84.0
500	52.5	84.0	500	52.5	84.0
550	55.6	90.4	550	55.6	90.4
600	52.5	90.4	600	52.5	90.4
650	55.6	96.8	650	55.6	96.8
700	52.5	96.8	700	52.5	96.8
750	55.6	103.2	750	55.6	103.2
800	52.5	103.2	800	52.5	103.2
850	55.6	109.9	-	-	-
900	52.5	109.9	-	-	-
950	55.6	116.0	-	-	-
1000	52.5	116.0	-	-	-

The specified minimum diameters refer to the smallest diameter of the first tapered element. The reference lengths 150 mm and 200 mm as well as 950 mm and 1,000 mm do not receive an end cover.

Conicity: 2.2°, color: gray (not antistatic)		
Reference length [mm]	Min. Ø [mm]	Max. Ø [mm]
190	56.0	70.6
240	56.0	74.4
290	56.0	78.3
340	56.0	82.1
440	56.0	89.8
540	56.0	97.5
640	56.0	105.2
740	56.0	112.8

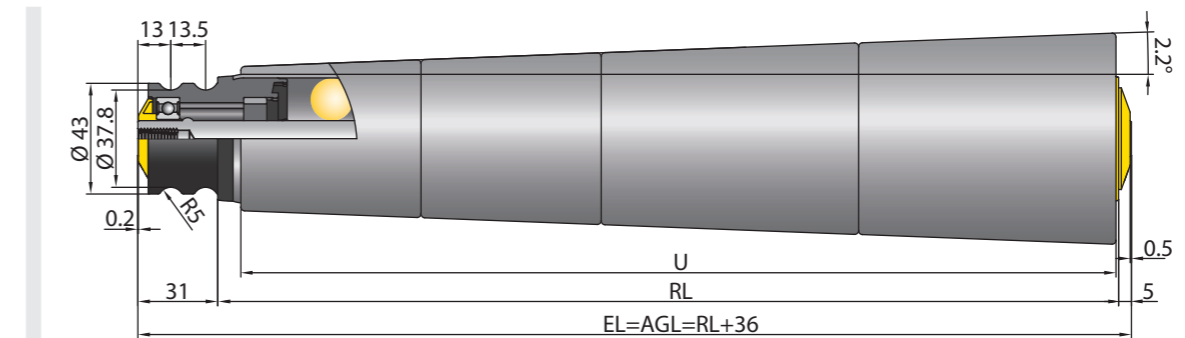
The specified minimum diameters refer to the smallest diameter of the first tapered element.

Tapered elements with 1.8° and PolyVee drive head

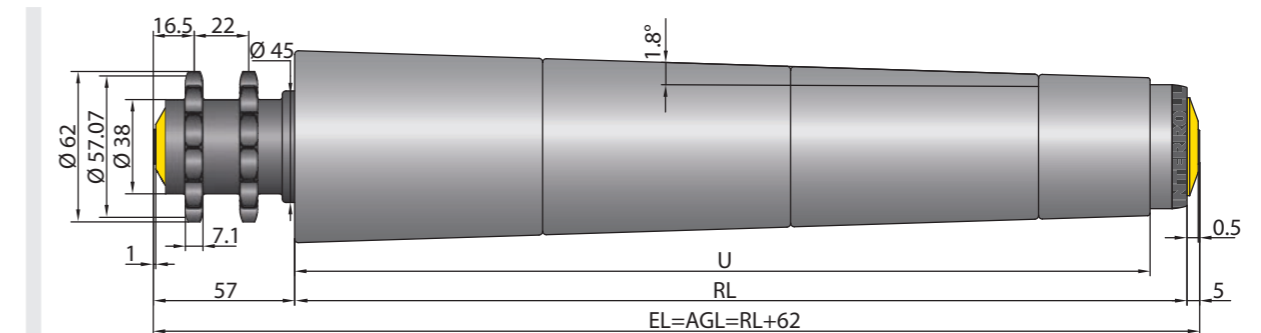


· PolyVee belt see page 238

Tapered elements with 2.2° and round belt drive head



Tapered elements with 1.8° and 1/2" polymer double sprocket head with 14 teeth



ROLLERS SERIES 3500 HEAVY

Fixed drive conveyor roller



Application area

Particularly suited for driven transport of heavy materials that require a small roller pitch, such as pallets and steel containers.

Very robust design

Welded steel sprockets and steel tube with a dimension of 60 x 3 mm enable reaching a high mechanical stability of the conveyor roller. To achieve a high axial load capacity, the bearing housing opposite of the drive side is not only pressed into the tube, but also flanged.

High load capacity

A stable, continuous female threaded shaft with $\varnothing 17$ mm ensures a high degree of reinforcement of the conveyor. Reinforced precision ball bearings of type 6003 are used. A corresponding small roller pitch is possible for the transport of very heavy goods.

High corrosion protection

After the welding process, the components consisting of tube, sprockets and flanges are individually zinc-plated, thereby achieving a high corrosion protection.

Lateral loading

The tube ends opposite the drive side are rounded, thereby allowing materials to be easily moved on from the side. Axial forces are removed through ball bearings and seals.



ROLLERS SERIES 3500 HEAVY

Fixed drive conveyor roller



Technical data

General technical data	
Platform	1700
Max. load capacity	3000 N
Max. conveyor speed	0.5 m/s
Anti-static version	Yes (via sprocket head)
Temperature range	-5 to +40 °C
Material	
Tube	Zinc-plated steel, stainless steel
Shaft	Uncoated steel, zinc-plated steel, stainless steel
Bearing housing	Polyamide, RAL9005 (jet black)
Drive head	Uncoated steel, zinc-plated steel, stainless steel
Seal	Polyamide on drive side in RAL1021 (rape yellow)
Bearing version	Precision steel ball bearing 6003 2RZ, precision stainless steel ball bearing 6003 2RZ, bearing play each C3, greased

Design versions

Tube sleeves	PVC sleeve (page 31) PU sleeve (page 33) Lagging (page 34)
Anti-static version	($10^6 \Omega$) Standard design for rollers with grooves or tube sleeves
Tube	The following are available in addition to the variants listed in the load capacity tables: • With flanges welded on

ROLLERS SERIES 3500 HEAVY

Fixed drive conveyor roller



ROLLERS SERIES 3500 HEAVY

Fixed drive conveyor roller

Load capacities of series 3500 heavy with screw-connected installation

The load capacity table refers to a temperature range of +5 to +40 °C.
Valid for the following shaft designs: female thread or male thread.

Bearing: 6003 2RZ.

Tube material	Ø Tube / thickness [mm]	Drive element	Ø Shaft [mm]	Maximum static load [N] for installation length [mm]					
				200	900	1000	1100	1300	1500
Steel	60 x 3	Welded steel sprocket head 1/2", T14	17	3000	3000	3000	3000	2135	1600
		Welded steel sprocket head 5/8", T13		3000	3000	3000	3000	2135	1600
		Welded steel double sprocket head 1/2", T14		3000	3000	3000	3000	2135	1600
		Welded steel double sprocket head 5/8", T13		3000	3000	3000	3000	2135	1600

T = Number of teeth

Dimensions

A sufficient axial play is already taken into account, so that the actual lane width between side profiles is required. The dimensions of the conveyor roller depend on the shaft version and the drive element.

Ordering dimensions for tube sleeves, e.g. PVC sleeves, see page 31, and for flanges see page 36.

RL = Reference length / ordering length

EL = Installation length, inside diameter between side profiles

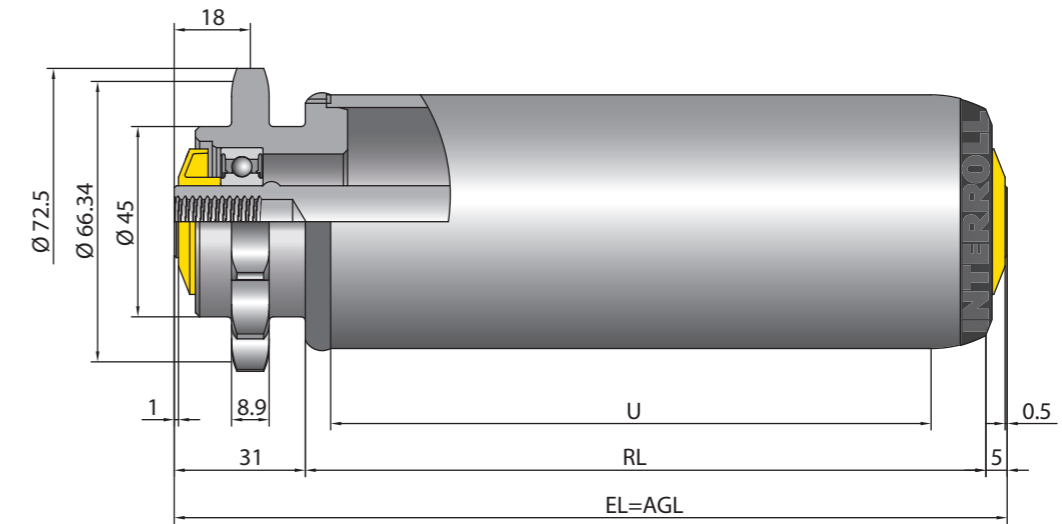
AGL = Total length of shaft

U = Usable tube length: Length without bearing housing and for flanged metal tube without length of flanging

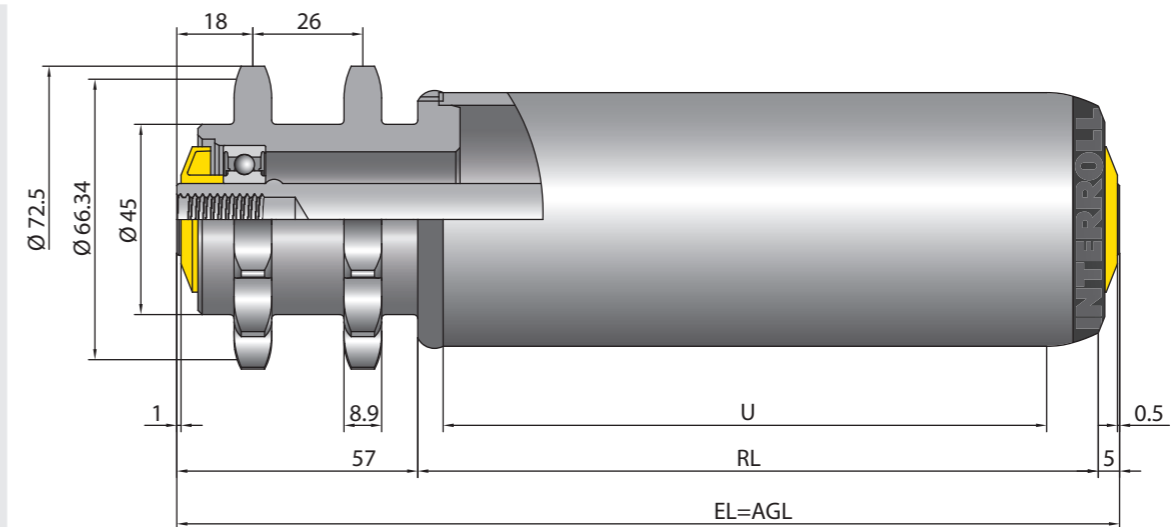
Ø Tube [mm]	Tube material	Ø Shaft [mm]	Drive element	EL [mm]	AGL [mm]	U [mm]
60 x 3	Steel	17	Welded steel sprocket head 1/2", T14	RL + 40	RL + 40	RL - 23
			Welded steel sprocket head 5/8", T13	RL + 36	RL + 36	
			Welded steel double sprocket head 1/2", T14	RL + 62	RL + 62	
			Welded steel double sprocket head 5/8", T13			

T = Number of teeth

Welded 5/8" steel sprocket head with 13 teeth



Welded 5/8" steel double sprocket head with 13 teeth



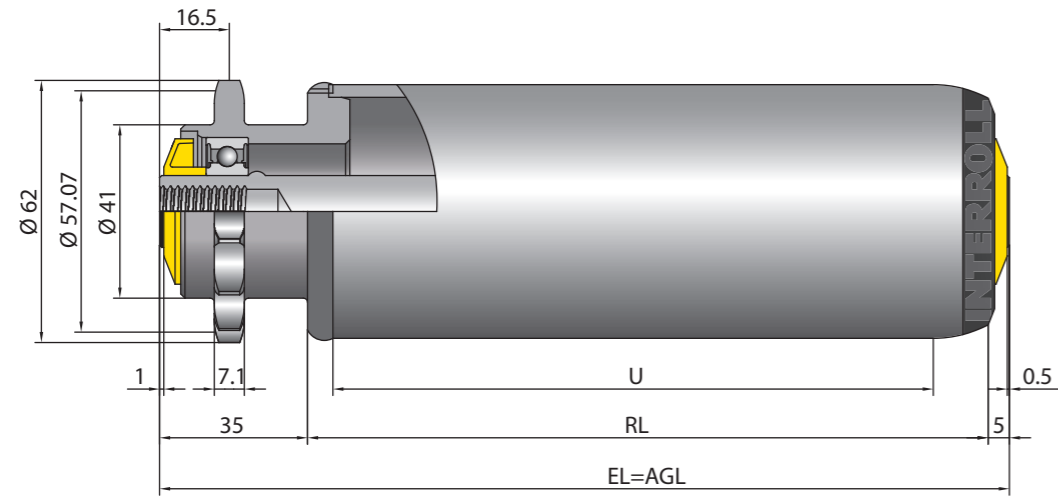
ROLLERS

SERIES 3500 HEAVY

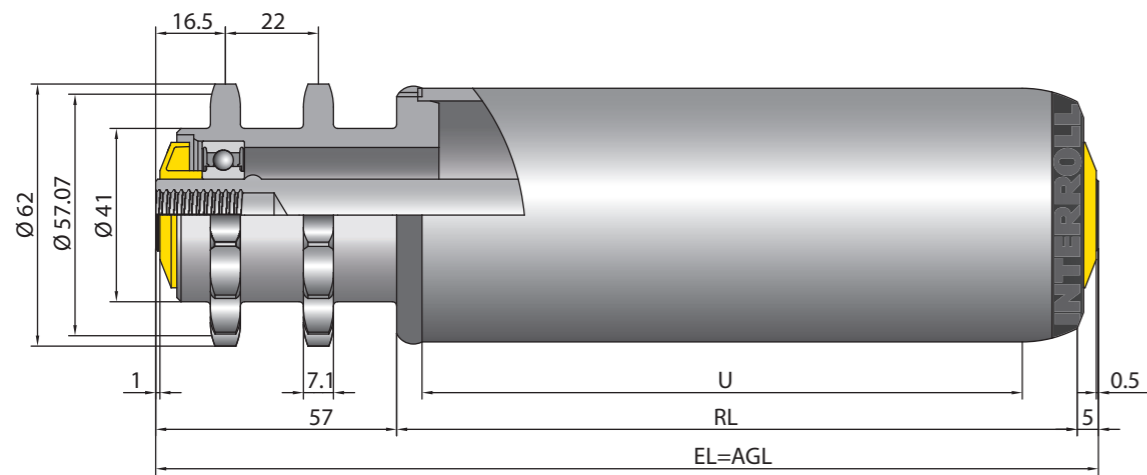
Fixed drive conveyor roller



Welded 1/2" steel sprocket head with 14 teeth



Welded 1/2" steel double sprocket head with 14 teeth



ROLLERS SERIES 3600

Heavy-duty conveyor roller



Application area

Driven unit handling conveying of heavy materials, such as transport of cardboards, containers, barrels, wheels, pallets or steel containers. Variants with toothed belt drive head are often used when zero maintenance is very important. Compared to a chain, the toothed belt does not have to be greased and, for this reason, is often used in the furniture industry.

Numerous drive types

Numerous drive types are available. The rollers can optionally be driven via chain or toothed belt from roller to roller. It is also possible to use a tangential chain drive.

Low-noise

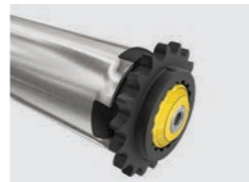
The use of fiberglass-reinforced, viscoplastic polyamide drive heads results in very quiet running.

Lateral loading

The tube ends are rounded, thereby allowing materials to be easily moved on from the side. Axial forces are removed through ball bearings and seals.

Robust construction

The form-fit connection with notches at the tube ends ensures a radial and axial fixation of the drive heads. To achieve an axial fixation of bearing housing, ball bearing and seal against escaping, the bearing housing is not only pressed into the tube, but also flanged.



ROLLERS SERIES 3600

Heavy-duty conveyor roller



Technical data

General technical data	
Platform	1450
Max. load capacity	3500 N
Max. conveyor speed	0.5 m/s
Anti-static version	Yes
Temperature range	-5 to +40 °C
Material	
Tube	Zinc-plated steel, stainless steel
Shaft	Uncoated steel, zinc-plated steel, stainless steel
Bearing housing	Polyamide, RAL9005 (jet black)
Drive head	Polyamide, RAL9005 (jet black)
Seal	Polyamide, RAL1021 (rape yellow)
Bearing version	Drive side: Precision steel ball bearing 6204 2RZ, greased Non-driven side: Precision steel ball bearing 6205 2RZ, greased

On the drive side, the seal in the internal ring of the ball bearing is not form-fit.

Design versions

Tube sleeves	For tube with Ø 80 mm and T15 sprocket head: PVC sleeve (page 31) Lagging (page 34)
Shafts	The following are available in addition to the variants listed in the load capacity tables: <ul style="list-style-type: none"> • With variable length • Different design of both shaft ends
Tube	The following are available in addition to the variants listed in the load capacity tables: <ul style="list-style-type: none"> • With flanges welded on

T = Number of teeth

ROLLERS SERIES 3600

Heavy-duty conveyor roller



ROLLERS SERIES 3600

Heavy-duty conveyor roller

Load capacities of series 3600

The load capacity table refers to a temperature range of +5 to +40 °C. Valid for the following shaft designs: female thread or male thread.

Bearing: 6204 2RZ and 6205 2RZ.

Tube material	Ø Tube / thickness [mm]	Drive element	Ø Shaft [mm]	Maximum static load [N] for installation length [mm]						
				400	600	800	1000	1200	1400	1600
Steel	80 x 2	Polymer sprocket head 5/8", T15 and T18	20	3500	3500	3500	3500	3500	3310	2510
		Polymer double sprocket head 5/8", T15 and T18		3500	3150	3005	2925	2880	2845	2600
		Polymer toothed belt drive head 8, T25		3500	3150	3005	2925	2880	2845	2600
Steel	80 x 3	Polymer sprocket head 5/8", T15 and T18	20	3500	3500	3500	3500	3500	3500	3500
		Polymer double sprocket head 5/8", T15 and T18		3500	3150	3005	2925	2880	2845	2825
		Polymer toothed belt drive head 8, T25		3500	3150	3005	2925	2880	2845	2600
Steel	89 x 3	Polymer sprocket head 5/8", T15 and T18	20	3500	3500	3500	3500	3500	3500	3500
		Polymer double sprocket head 5/8", T15 and T18		3500	3150	3005	2925	2880	2845	2825
		Polymer toothed belt drive head 8, T25		3500	3150	3005	2925	2880	2845	2825

T = Number of teeth

The width of the toothed belt drive head allows the use of two toothed belts.

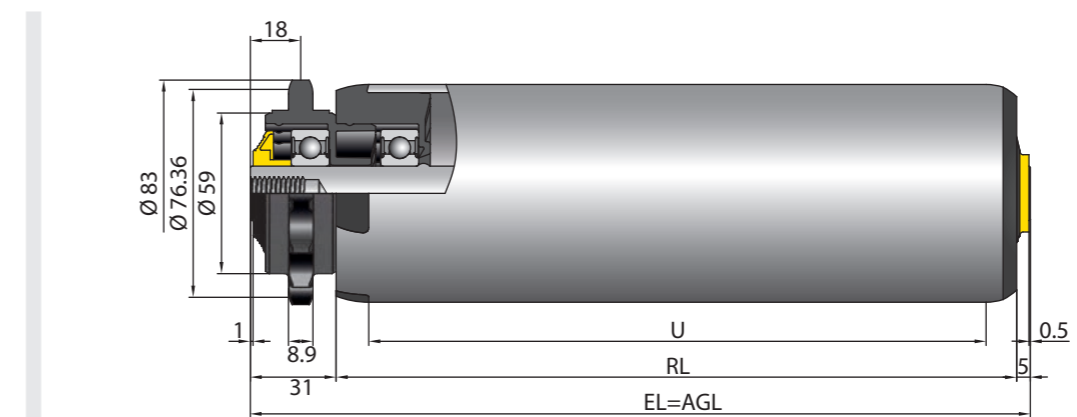
Dimensions

The dimensions of the conveyor roller depend on the shaft version. A sufficient axial play is already taken into account, so that only the actual lane width between side profiles is required for ordering. Ordering dimensions for tube sleeves, e.g. PVC sleeves, see page 31, and for flanges see page 36.

- RL = Reference length / ordering length
- EL = Installation length, inside diameter between side profiles
- AGL = Total length of shaft
- U = Usable tube length: Length without bearing housing and for flanged metal tube without length of flanging

Ø Tube [mm]	Ø Shaft [mm]	Drive element	EL [mm]	AGL [mm]	U [mm]
80 x 2	20	Polymer sprocket head 5/8", T15 and T18	RL + 36	RL + 36	RL - 24
		Polymer double sprocket head 5/8", T15 and T18	RL + 62	RL + 62	
		Polymer toothed belt drive head 8, T25			
80 x 3	20	Polymer sprocket head 5/8", T15 and T18	RL + 36	RL + 36	RL - 24
		Polymer double sprocket head 5/8", T15 and T18	RL + 62	RL + 62	
		Polymer toothed belt drive head 8, T25			
89 x 3	20	Polymer sprocket head 5/8", T15 and T18	RL + 36	RL + 36	RL - 24
		Polymer double sprocket head 5/8", T15 and T18	RL + 62	RL + 62	
		Polymer toothed belt drive head 8, T25			

5/8" polymer sprocket head with 15 teeth



ROLLERS SERIES 3600

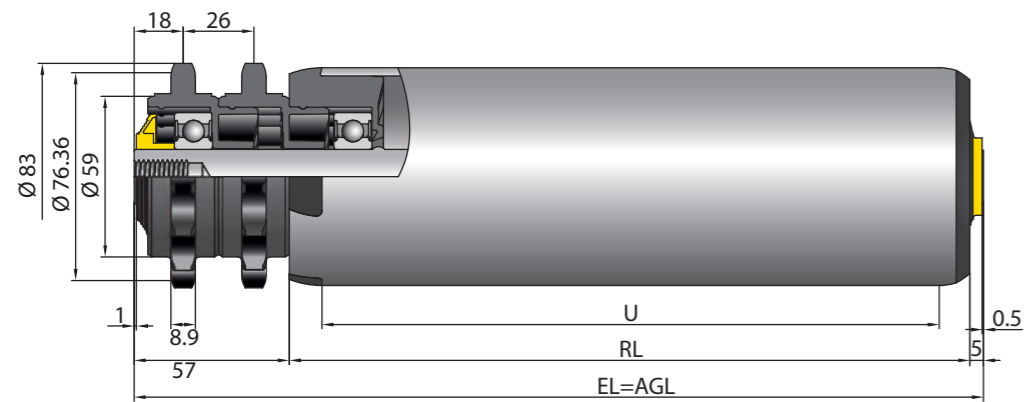
Heavy-duty conveyor roller



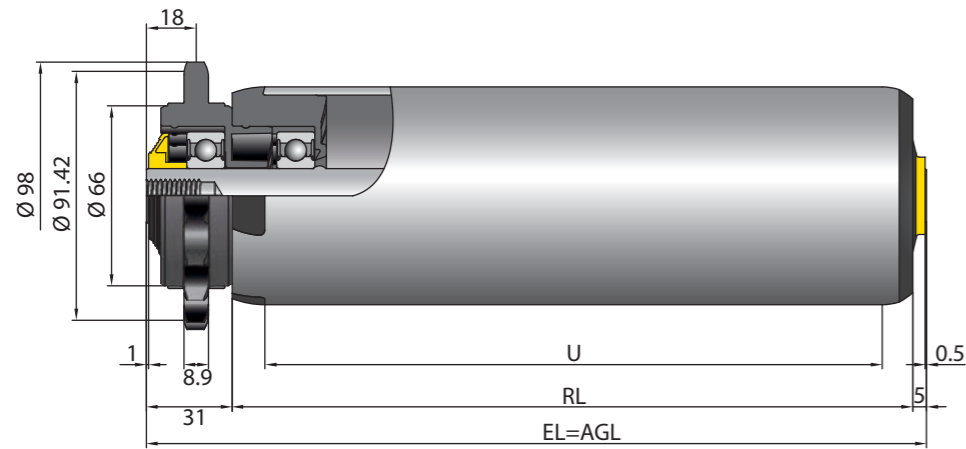
ROLLERS SERIES 3600

Heavy-duty conveyor roller

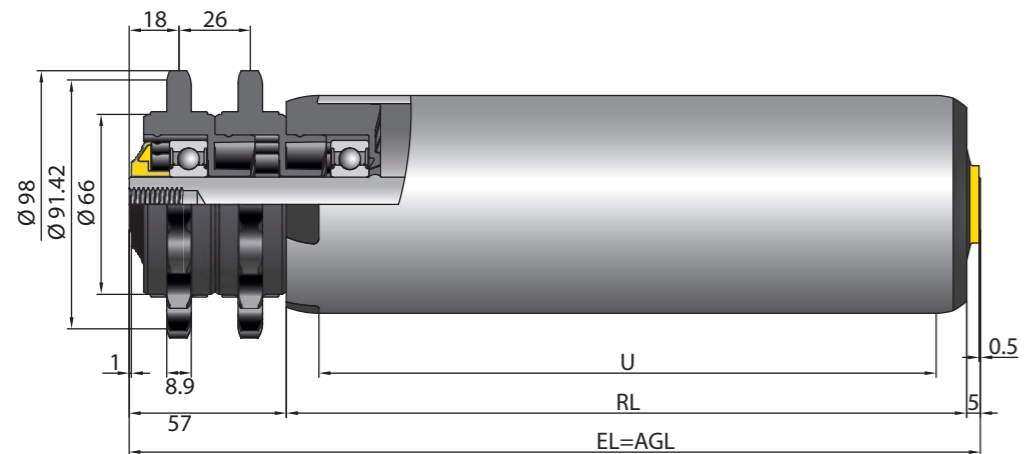
5/8" polymer double sprocket head with 15 teeth



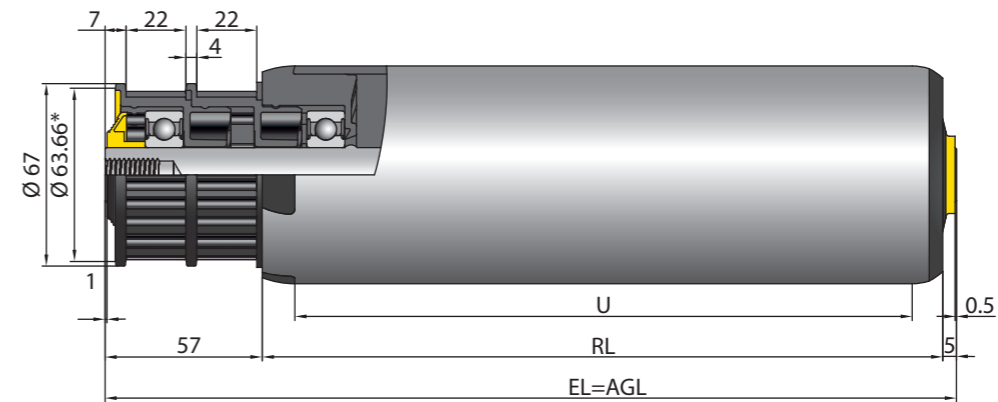
5/8" polymer sprocket head with 18 teeth



5/8" polymer double sprocket head with 18 teeth



Toothed belt drive head (8 pitch) with 25 teeth and female threaded shaft



* Effective diameter

Interroll recommends a max. belt width of 20 mm and an HTD gearing.

ROLLERS SERIES 3800 LIGHT

Friction conveyor roller
Double friction conveyor roller



Application area

Transporting and accumulating unit handling conveyor systems, such as lightweight cardboards and containers. Also suitable for implementing buffer sections and for use in the packaging industry.

Numerous drive types

Various drive variants are available. The rollers can optionally be driven with flat or round belts as well as chains with a pitch of 3/8". Wrapping or tangential chain drive is possible.

Low-noise

The flat belt drive head made of polyamide ensures very quiet running.

Low roller pitches

Small roller pitches for transporting small materials can also be implemented.

Weight-dependent

Conveyance as well as accumulation pressure depend on the weight of the materials.

Two-sided friction coupling

For the double friction roller variant, the two-sided friction couplings are connected with each other by an internal tube. Positioning materials of different widths to the friction side are not required in this case.

Note: Please read the additional important information about the use of the friction roller in the planning section, page 257.



ROLLERS SERIES 3800 LIGHT

Friction conveyor roller
Double friction conveyor roller

Technical data

General technical data	
Platform	1700
Max. load capacity	150 N
Max. conveyor speed	0.5 m/s
Temperature range	-5 to +40 °C
Material	
Tube	Zinc-plated steel, stainless steel
Shaft	Uncoated steel, zinc-plated steel, stainless steel
Bearing housing	Polyamide on drive side, polypropylene on non-drive side, each in RAL9005 (jet black)
Drive head	Flat belt drive head – polyamide, RAL9005 (jet black) Sprocket head – zinc-plated steel
Seal	Polypropylene on drive side, polyamide on non-drive side, each in RAL1021 (rape yellow)
Bearing version	Precision steel ball bearing 689 2Z, greased

Design versions

Anti-static version	< 10 ⁶ Ω
Special tube surface treatment	Carbonitriding
Operating principle	Sprocket head – single friction, flat belt drive head – double friction

Load capacities of series 3800 light

The load capacity table refers to a temperature range of +5 to +40 °C.
Valid for the following shaft designs: female thread or male thread.

Bearing: 689 2Z.

Tube material	Ø Tube / thickness [mm]	Function	Drive element	Ø Shaft [mm]	Maximum static load [N] for installation length [mm]		
					200	400	600
Steel	30 x 1.2	Single friction design	Steel sprocket head 3/8", T12	8	150	150	150
			Steel double sprocket head 3/8", T12	8	150	150	150
		Double friction design	Flat belt drive head with Ø 30 mm	8	150	150	140

T = Number of teeth

ROLLERS SERIES 3800 LIGHT

Friction conveyor roller
Double friction conveyor roller

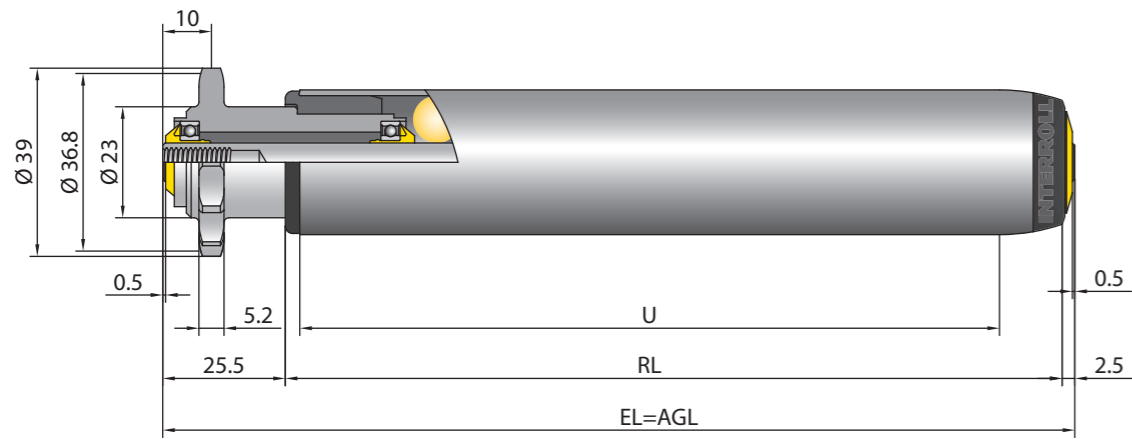


Dimensions

A sufficient axial play is already taken into account, so that the actual lane width between side profiles is required. The dimensions of the conveyor roller depend on the shaft version and the drive element.

- RL = Reference length / ordering length
- EL = Installation length, inside diameter between side profiles
- AGL = Total length of shaft
- U = Usable tube length: Length without bearing housing and for flanged metal tube without length of flanging

Single friction roller with 3/8" zinc-plated steel sprocket head and 12 teeth



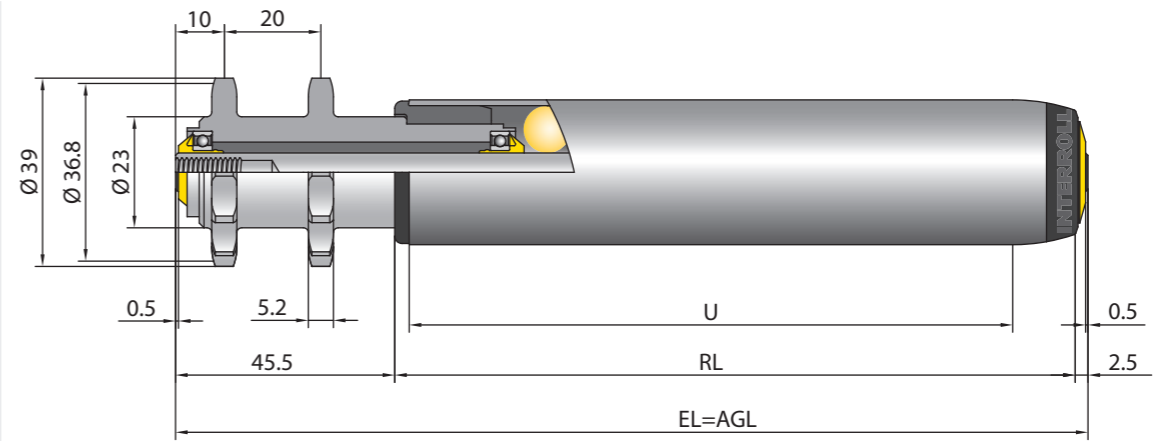
Ø Tube [mm]	Tube material	Ø Shaft [mm]	Drive element	EL [mm]	AGL [mm]	U [mm]
30 x 1.2	Steel	8	Steel sprocket head 3/8", T12	RL + 28	RL + 28	RL - 16



ROLLERS SERIES 3800 LIGHT

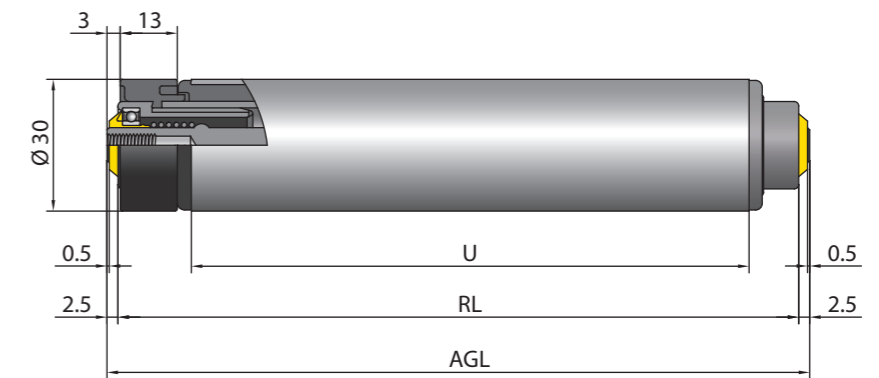
Friction conveyor roller
Double friction conveyor roller

Single friction roller with 3/8" zinc-plated steel double sprocket head and 12 teeth



Ø Tube [mm]	Tube material	Ø Shaft [mm]	Drive element	EL [mm]	AGL [mm]	U [mm]
30 x 1.2	Steel	8	Steel double sprocket head 3/8", T12	RL + 48	RL + 48	RL - 16

Double friction roller with flat belt drive head



Ø Tube [mm]	Tube material	Ø Shaft [mm]	Drive element	EL [mm]	AGL [mm]	U [mm]
30 x 1.2	Steel	8	Flat belt drive head Ø 30	RL + 5	RL + 5	RL - 28

ROLLERS SERIES 3800

Friction conveyor roller



ROLLERS SERIES 3800

Friction conveyor roller

Application area

Transporting and accumulating unit handling, such as cardboards or containers. Also suitable for implementing buffer sections.

Modular construction

The friction heads are interchangeable and can also be exchanged with fixed friction heads. A permanently pressed bearing housing allows inserting a variety of drive heads. The friction heads made of polyamide are secured against dropping out.

Low-noise

The use of polyamide or polyoxymethylene drive heads results in very quiet running.

Numerous drive types

Numerous drive types are available. Depending on the requirement profile, the rollers can be driven with flat, PolyVee or toothed belts as well as chains with a pitch of 1/2" or 3/8".

Weight-dependent

Conveyance as well as accumulation pressure depend on the weight of the materials.

Note: Please read the additional important information about the use of the friction roller in the planning section, page 257.



Technical data

General technical data	
Platform	1700
Max. load capacity	500 N
Max. conveyor speed	0.5 m/s
Temperature range	-5 to +40 °C PVC tube: With increased ambient temperature (from +30 °C) and high continuous static load over hours, a permanent deformation of the rollers cannot be ruled out.
Material	
Tube	Zinc-plated steel, stainless steel, aluminum PVC: RAL7030 (stone gray) RAL5015 (sky blue)
Shaft	Uncoated steel, zinc-plated steel, stainless steel
Bearing housing	Polyamide, RAL9005 (jet black)
Drive head	Polyamide, RAL9005 (jet black) Polyoxymethylene, RAL9005 (jet black) Steel (sprocket drive heads only)
Seal	Polypropylene on non-drive side and polyamide on drive side each in RAL1021 (rape yellow)
Bearing version	Precision steel ball bearing 6002 2RZ, precision stainless steel ball bearing 6002 2RZ, bearing play each C3

Design versions

Tube sleeves	PVC sleeve (page 31) PU sleeve (page 33) Lagging (page 34)
Anti-static version	($10^6 \Omega$) Standard design for rollers with tube sleeves, cannot be used for PVC tube
Special tube surface treatment	Carbonitriding Chrome-plating
Shafts	The following are available in addition to the variants listed in the load capacity tables: <ul style="list-style-type: none"> • With variable length • Different design of both shaft ends

ROLLERS SERIES 3800

Friction conveyor roller



ROLLERS SERIES 3800

Friction conveyor roller

Load capacities of series 3800

The load capacity table refers to a temperature range of +5 to +40 °C.
Valid for the following shaft designs: female thread or male thread.

Bearing: 6002 2RZ.

Tube material	Ø Tube / thickness [mm]	Drive element	Ø Shaft [mm]	Maximum static load [N] for installation length [mm]						
				200	400	600	800	1000	1200	1400
PVC	50 x 2.8	Polymer sprocket head 1/2", T14	12	500	185	75	40	-	-	-
		Polymer double sprocket head 1/2", T14		500	215	85	45	-	-	-
		Polymer flat belt drive head 38 mm	14	500	150	65	35	-	-	-
		Polymer sprocket head 1/2", T9 and T14		300	300	135	70	-	-	-
		Polymer sprocket head 1/2", T14		500	335	135	70	-	-	-
		Polymer double sprocket head 3/8", T20		350	185	75	40	-	-	-
		Polymer toothed belt drive head 8, T18		350	185	75	40	-	-	-
		Polymer double sprocket head 1/2", T14		500	215	80	45	-	-	-
		Steel sprocket head 1/2", T14		500	500	500	500	500	500	500
Steel	50 x 1.5	Polymer sprocket head 1/2", T14	12	500	500	500	500	500	500	500
		Steel sprocket head 1/2", T14		500	500	500	500	500	500	500
		Polymer double sprocket head 1/2", T14	14	500	500	500	500	500	500	500
		Steel double sprocket head 1/2", T14		500	500	500	500	500	500	500
		Polymer flat belt drive head 38 mm		500	500	500	500	500	500	500
		Polymer sprocket head 1/2", T9 and T14		300	300	300	300	300	300	300
		Polymer sprocket head 1/2", T14		500	500	500	500	500	500	500
		Steel sprocket head 1/2", T14		500	500	500	500	500	500	500
		Polymer double sprocket head 3/8", T20		350	350	350	350	350	350	350
		Polymer toothed belt drive head 8, T18	350	350	350	350	350	350	350	
		Polymer double sprocket head 1/2", T14	15	500	500	500	500	500	500	500
		Steel double sprocket head 1/2", T14		500	500	500	500	500	500	500
		PolyVee drive head		350	350	350	350	350	350	350
Steel sprocket head 1/2", T14	15	500	500	500	500	500	500	500		
Steel double sprocket head 1/2", T14		500	500	500	500	500	500	500		

Tube material	Ø Tube / thickness [mm]	Drive element	Ø Shaft [mm]	Maximum static load [N] for installation length [mm]						
				200	400	600	800	1000	1200	1400
Steel	60 x 1.5	Polymer double sprocket head 1/2", T14	12	500	500	500	500	500	500	500
		Polymer sprocket head 1/2", T9 and T14	14	300	300	300	300	300	300	300
		Polymer sprocket head 1/2", T14		500	500	500	500	500	500	500
		Steel sprocket head 1/2", T14	15	500	500	500	500	500	500	500
		Polymer double sprocket head 3/8", T20		350	350	350	350	350	350	350
		Polymer toothed belt drive head 8, T18		350	350	350	350	350	350	350
		Polymer double sprocket head 1/2", T14	15	500	500	500	500	500	500	500
		Steel double sprocket head 1/2", T14		500	500	500	500	500	500	500
		Steel sprocket head 1/2", T14		500	500	500	500	500	500	500
Steel double sprocket head 1/2", T14	15	500	500	500	500	500	500	500		

T = Number of teeth

Dimensions

A sufficient axial play is already taken into account, so that the actual lane width between side profiles is required. The dimensions of the conveyor roller depend on the shaft version and the drive element.
Ordering dimensions for tube sleeves, e.g. PVC sleeves, see page 31.

RL = Reference length / ordering length

EL = Installation length, inside diameter between side profiles

AGL = Total length of shaft

U = Usable tube length: Length without bearing housing and for flanged metal tube without length of flanging

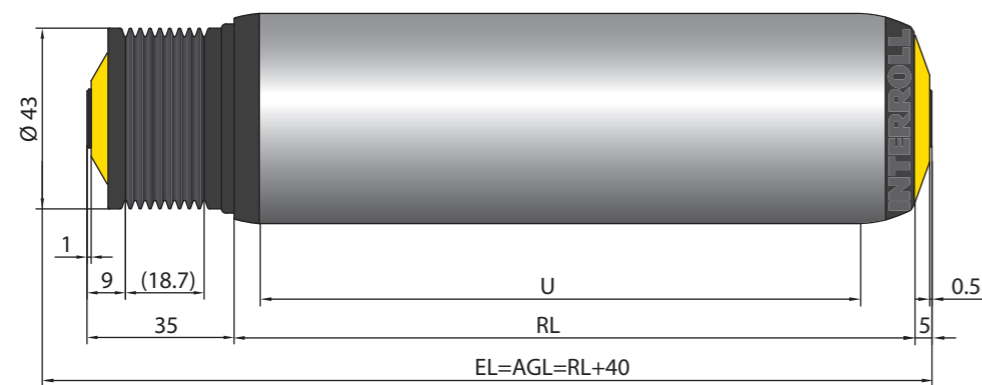
Ø Tube [mm]	Tube material	Ø Shaft [mm]	Drive element	EL [mm]	AGL [mm]	U [mm]
50 x 2.8	PVC	12	Polymer sprocket head 1/2", T14	RL + 40	RL + 40	RL - 12
			Polymer double sprocket head 1/2", T14	RL + 62	RL + 62	
		14	Polymer flat belt drive head 38 mm	RL + 40	RL + 40	
			Polymer sprocket head 1/2", T9, T11 and T14			
			Polymer double sprocket head 3/8", T20			
			Polymer toothed belt drive head 8, T18			
			Polymer double sprocket head 1/2", T14	RL + 62	RL + 62	



Ø Tube [mm]	Tube material	Ø Shaft [mm]	Drive element	EL [mm]	AGL [mm]	U [mm]			
50 x 1.5	Steel	12	Polymer sprocket head 1/2", T14	RL + 40	RL + 40	RL - 19			
			Steel sprocket head 1/2", T14						
			Polymer double sprocket head 1/2", T14	RL + 62	RL + 62				
			Steel double sprocket head 1/2", T14						
		14	Polymer flat belt drive head 38 mm	RL + 40	RL + 40				
			Polymer sprocket head 1/2", T9, T11 and T14						
			Steel sprocket head 1/2", T14						
			Polymer double sprocket head 3/8", T20						
			Polymer toothed belt drive head 8, T18						
			Polymer double sprocket head 1/2", T14	RL + 62	RL + 62				
			Steel double sprocket head 1/2", T14						
			PolyVee drive head	RL + 40	RL + 40				
			60 x 1.5	Steel	12	Polymer double sprocket head 1/2", T14	RL + 62	RL + 62	RL - 19
						Polymer sprocket head 1/2", T9, T11 and T14	RL + 40	RL + 40	
14	Steel sprocket head 1/2", T14								
	Polymer double sprocket head 3/8", T20								
	Polymer toothed belt drive head 8, T18								
	Polymer double sprocket head 1/2", T14	RL + 62			RL + 62				
Steel double sprocket head 1/2", T14									

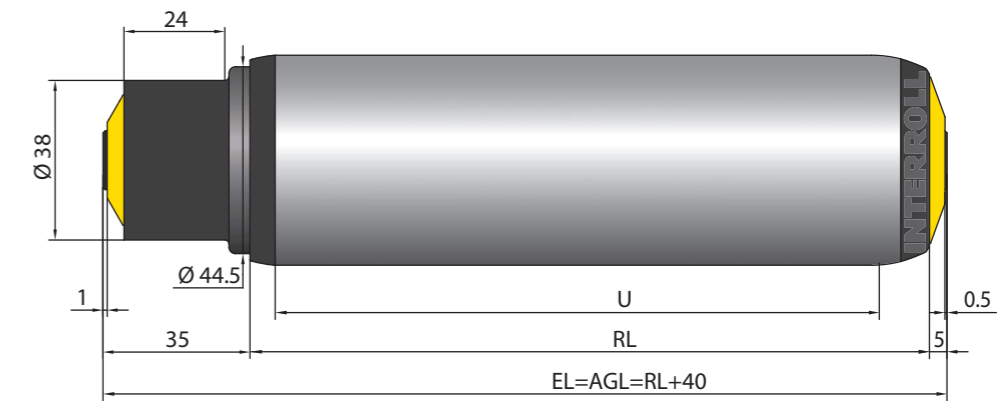
T = Number of teeth

PolyVee drive head

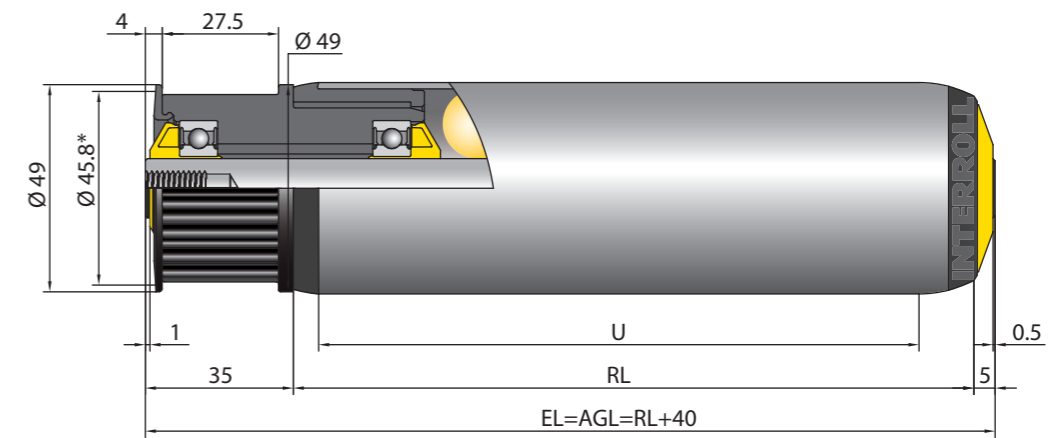


- PolyVee belt see page 238
- PolyVee tensioning device see page 239
- PolyVee finger guard see page 239

Flat belt drive head and female threaded shaft



Toothed belt drive head (8 pitch and 18 teeth) and female threaded shaft



* Effective diameter

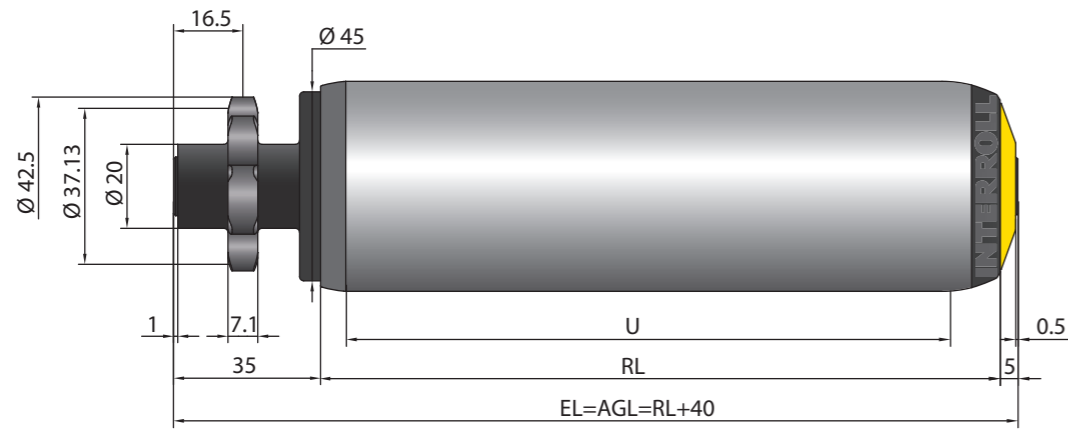
Interroll recommends a max. belt width of 12 mm and a poly chain GT gearing.

ROLLERS
SERIES 3800
 Friction conveyor roller

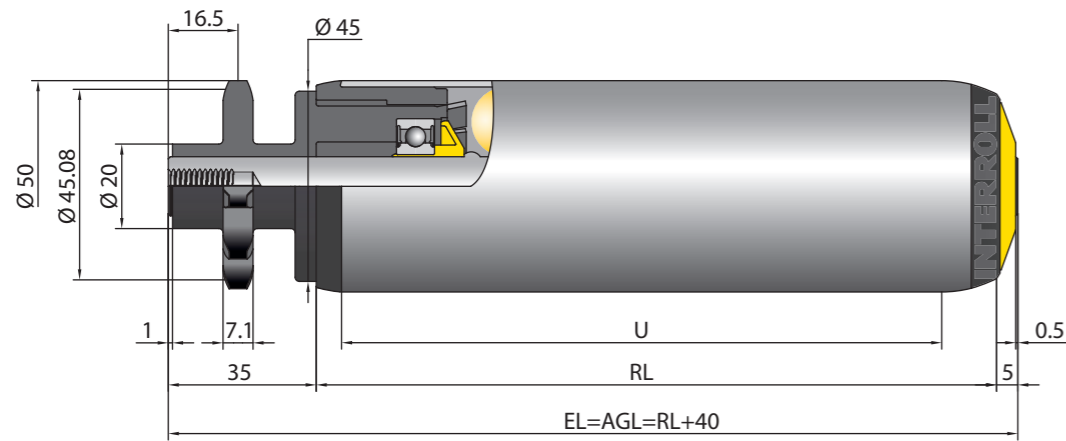


ROLLERS
SERIES 3800
 Friction conveyor roller

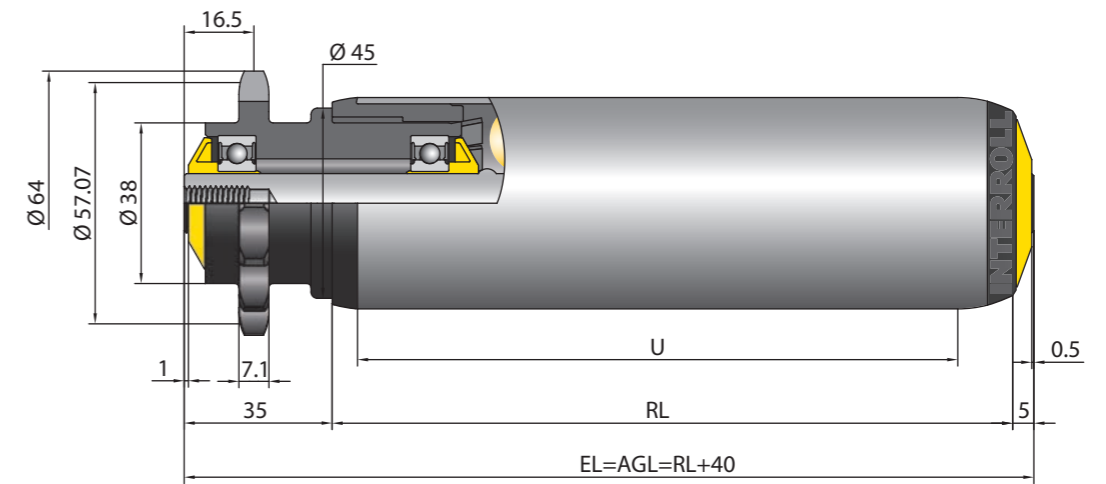
1/2" polymer sprocket head with 9 teeth



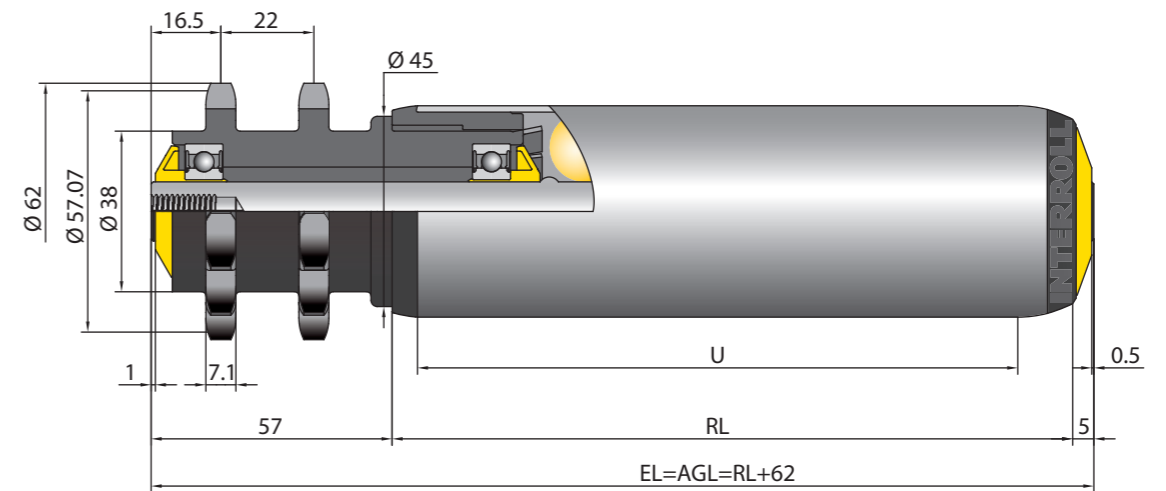
1/2" polymer sprocket head with 11 teeth



1/2" polymer sprocket head with 14 teeth



1/2" polymer double sprocket head with 14 teeth



ROLLERS SERIES 3800

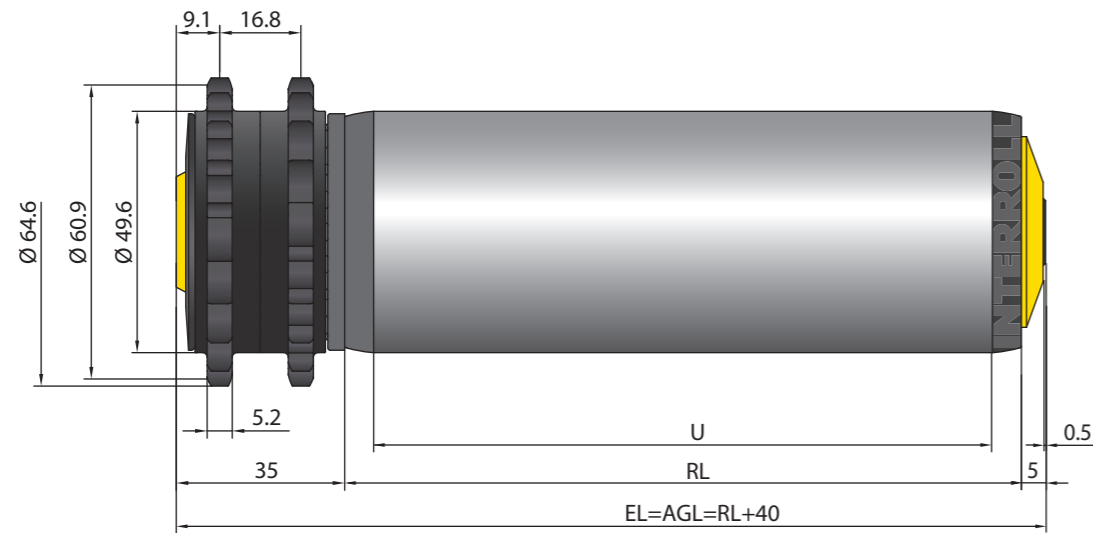
Friction conveyor roller



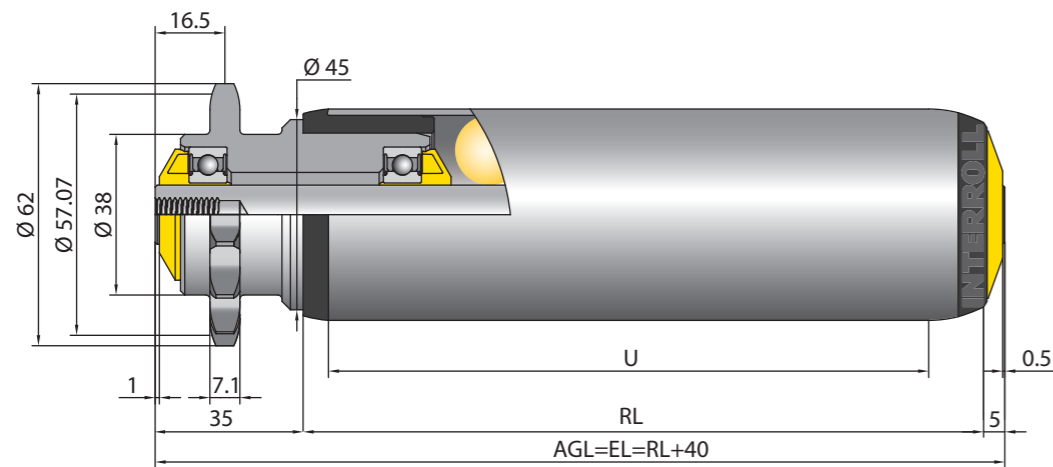
ROLLERS SERIES 3800

Friction conveyor roller

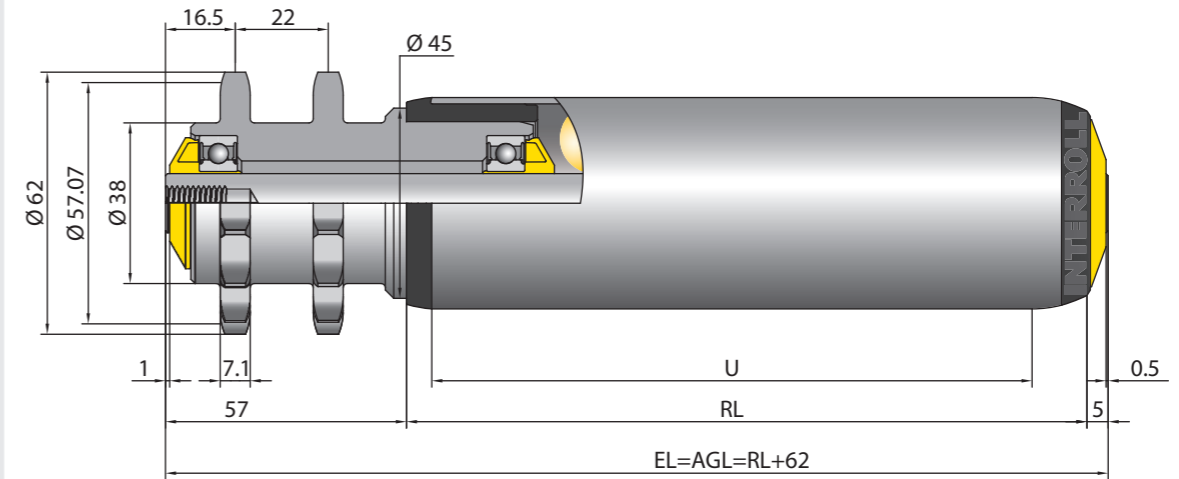
3/8" polymer double sprocket head with 20 teeth



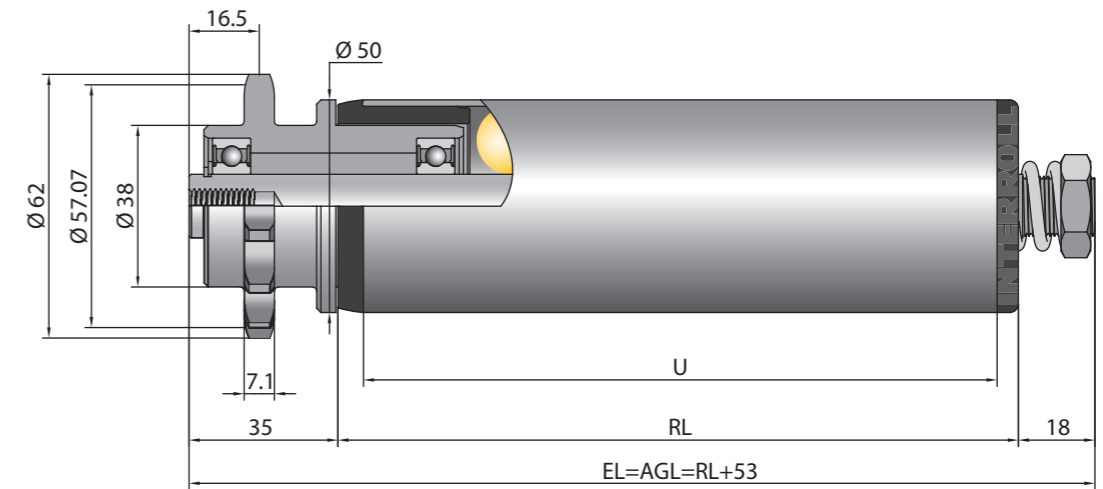
1/2" zinc-plated steel sprocket head with 14 teeth



1/2" zinc-plated steel double sprocket head with 14 teeth



1/2" zinc-plated steel sprocket head with 14 teeth and adjustable friction



ROLLERS SERIES 3870

Double friction conveyor roller



ROLLERS SERIES 3870

Double friction conveyor roller

Application area

Transporting and accumulating unit handling, such as cardboards or containers. Also suitable for implementing buffer sections.

Two-sided friction coupling

It is a double friction roller whose two-side friction couplings are connected with each other by an internal tube. Positioning materials of different widths to the friction side are not required in this case.

Robust construction

The drive heads are pressed together with the internal tube which secures them against dropping out.

Numerous drive variants

A toothed belt drive head and sprockets with different number of teeth are available so that wrapping and tangential chain drive can be implemented.

Note: Please read the additional important information about the use of the friction roller in the planning section, page 257.

Technical data

General technical data	
Platform	1700
Max. load capacity	500 N
Max. conveyor speed	0.5 m/s
Anti-static version	No
Temperature range	-5 to +40 °C
Material	
Tube	Zinc-plated steel, stainless steel, aluminum
Shaft	Uncoated steel, zinc-plated steel, stainless steel
Bearing housing	Polyamide, RAL9005 (jet black)
Drive head	Polyamide, RAL9005 (jet black)
Seal	Polyamide, RAL1021 (rape yellow)
Bearing version	Precision steel ball bearing 6002 2RZ, bearing play C3

Design versions

Tube sleeves	PVC sleeve (page 31) PU sleeve (page 33) Lagging (page 34)
Special tube surface treatment	Carbonitriding Chrome-plating



ROLLERS SERIES 3870

Double friction conveyor roller



ROLLERS SERIES 3870

Double friction conveyor roller

Load capacities of series 3870

The load capacity table refers to a temperature range of +5 to +40 °C.
Valid for the following shaft designs: female thread.

Bearing: 6002 2RZ.

Tube material	Ø Tube / thickness [mm]	Drive element	Ø Shaft [mm]	Maximum static load [N] for installation length [mm]			
				200	1100	1300	1500
Steel	50 x 1.5	Polymer sprocket head 1/2", T9, T11 and T14	14	500	500	440	280
		Polymer toothed belt drive head 8, T18		500	500	440	280
		Polymer double sprocket head 1/2", T14		500	500	440	280
	60 x 3	Polymer sprocket head 1/2", T14	14	500	500	440	280
		Polymer double sprocket head 1/2", T14		500	500	440	280

T = Number of teeth

Dimensions

A sufficient axial play is already taken into account, so that the actual lane width between side profiles is required. The dimensions of the conveyor roller depend on the shaft version and the drive element.
Ordering dimensions for tube sleeves, e.g. PVC sleeves, see page 31.

RL = Reference length / ordering length

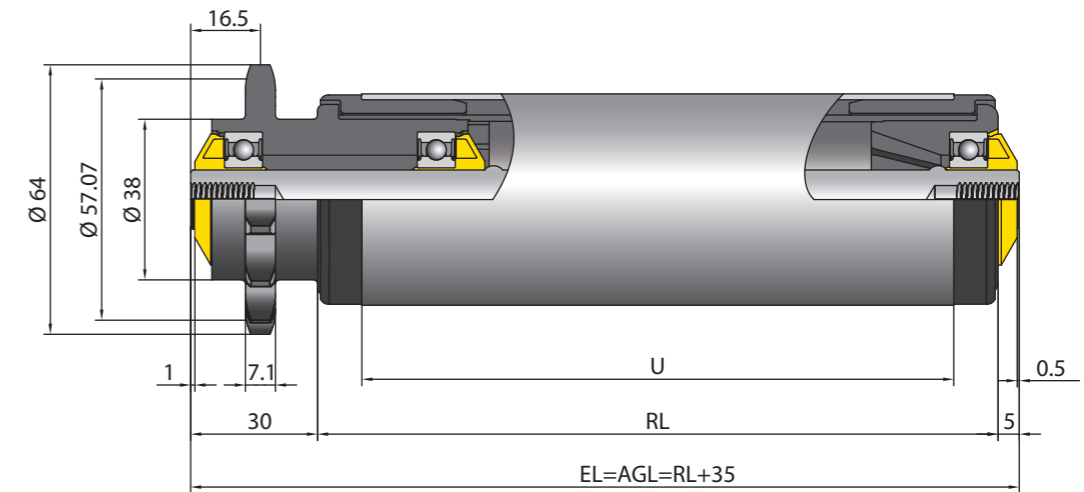
EL = Installation length, inside diameter between side profiles

AGL = Total length of shaft

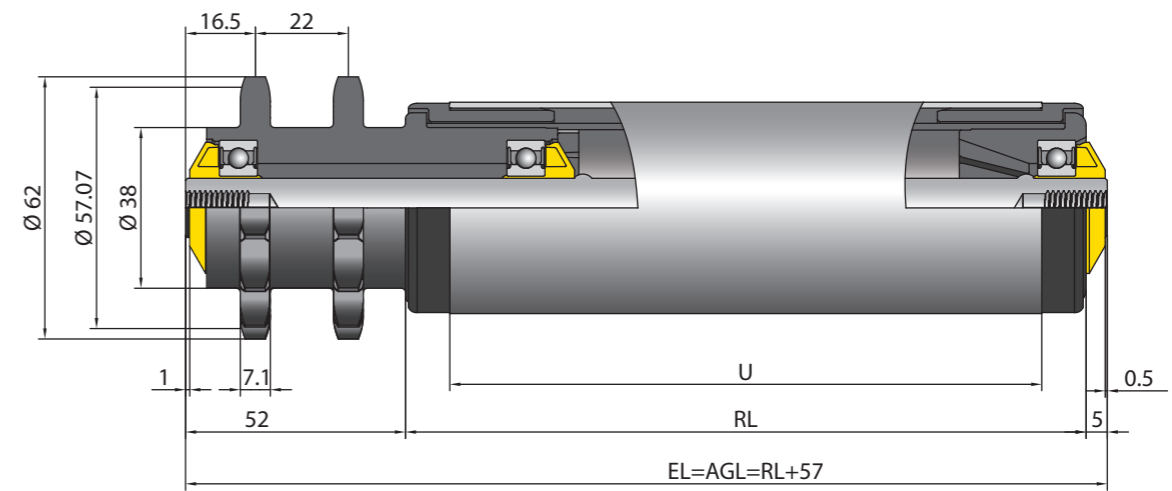
U = Usable tube length: Length without bearing housing and for flanged metal tube without length of flanging

Ø Tube [mm]	Ø Shaft [mm]	Drive element	EL [mm]	AGL [mm]	U [mm]
50 x 1.5	14	Polymer sprocket head 1/2", T9, T11 and T14	RL + 35	RL + 35	RL - 21
		Polymer toothed belt drive head 8, T18	RL + 40	RL + 40	
		Polymer double sprocket head 1/2", T14	RL + 57	RL + 57	
60 x 3	14	Polymer sprocket head 1/2", T14	RL + 35	RL + 35	RL - 34
		Polymer double sprocket head 1/2", T14	RL + 57	RL + 57	

1/2" polymer sprocket head with 14 teeth



1/2" polymer double sprocket head with 14 teeth



ROLLERS SERIES 3870

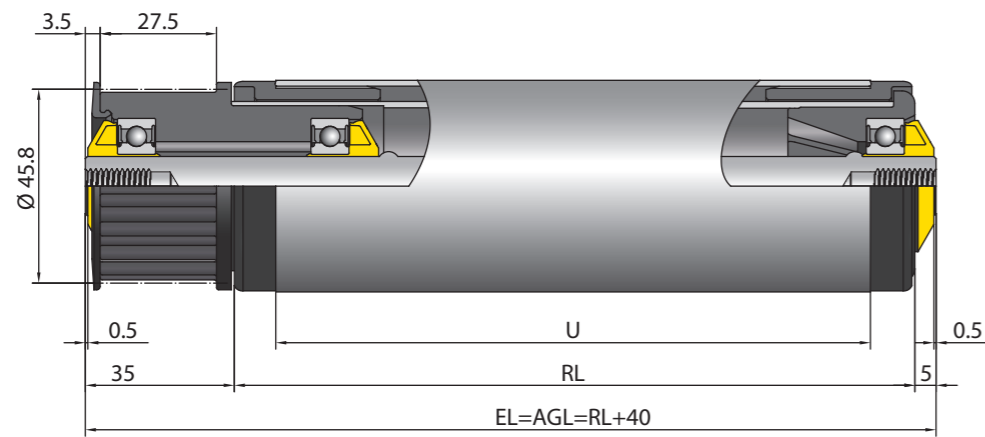
Double friction conveyor roller



ROLLERS SERIES 3870

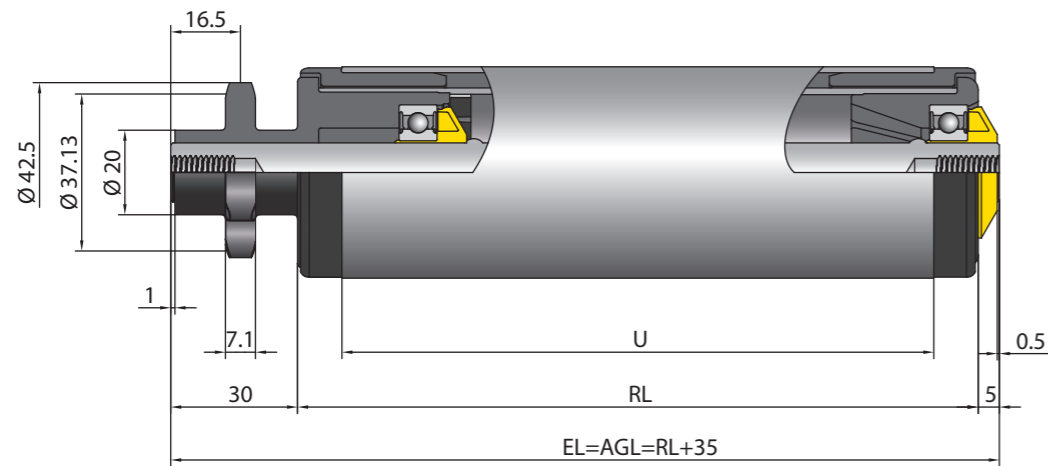
Double friction conveyor roller

Toothed belt drive head (8 pitch and 18 teeth) and female threaded shaft

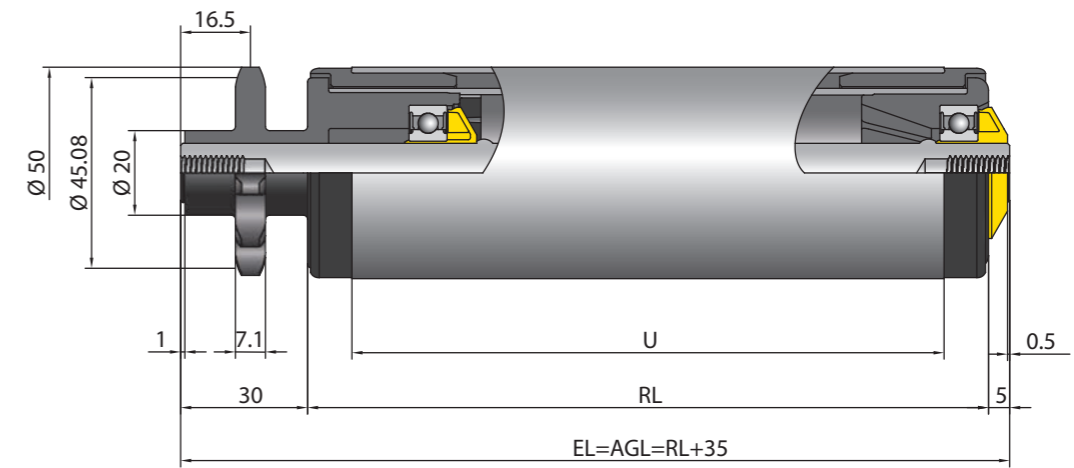


* Effective diameter

1/2" polymer sprocket head with 9 teeth



1/2" polymer sprocket head with 11 teeth



ROLLERS SERIES 3880

Double friction conveyor roller



ROLLERS SERIES 3880

Double friction conveyor roller

Application area

Transporting and accumulating unit handling conveyor systems, such as heavy containers, pallets or steel containers. Suitable for implementing buffer sections.

Robust construction

Very robust design specifically for heavy materials. The sprocket disks are welded onto the internal tube.

Weight-dependent

Conveyance as well as accumulation pressure depend on the weight of the materials.

Two-sided friction coupling

It is a double friction roller whose two-side friction couplings are connected with each other by an internal tube. Positioning materials of different widths to the friction side are not required in this case.

Note: Please read the additional important information about the use of the friction roller in the planning section, page 257.



Technical data

General technical data

Platform	1450
Max. load capacity	2400 N
Max. conveyor speed	0.5 m/s
Anti-static version	No
Temperature range	-5 to +40 °C

Material

Tube	Zinc-plated steel
Shaft	Uncoated steel, zinc-plated steel, stainless steel
Bearing housing	Polyamide, RAL9005 (jet black)
Sprocket disk	Uncoated steel (the sprocket disk including tube is zinc-plated after welding it on)
Seal	Polyamide, RAL1021 (rape yellow)
Bearing version	Precision steel ball bearing 6204 2RZ, greased

Design versions

Tube sleeves

PVC sleeve (page 31)
Lagging (page 34)

Shafts

The following are available in addition to the variants listed in the load capacity tables:

- With variable length
- Different design of both shaft ends

ROLLERS SERIES 3880

Double friction conveyor roller



ROLLERS SERIES 3880

Double friction conveyor roller

Load capacities of series 3880

The load capacity table refers to a temperature range of +5 to +40 °C.
Valid for the following shaft designs: female thread.

Bearing: 6204 2RZ.

Tube material	Ø Tube / thickness [mm]	Drive element	Ø Shaft [mm]	Maximum static load [N] for installation length [mm]							
				200	600	800	1200	1400	1600	1800	2000
Steel	80 x 2	Welded steel sprocket disk 5/8", T18	20	2400	2400	2400	2400	2090	1380	960	700
		Two welded steel sprocket disks 5/8", T18		2400	2400	2400	2400	2090	1380	960	700

T = Number of teeth

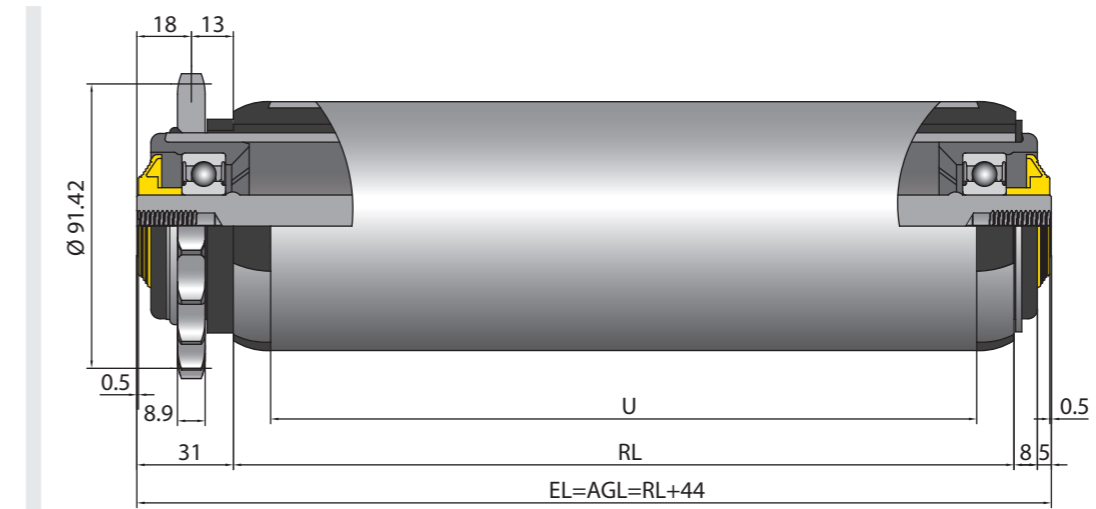
Dimensions

A sufficient axial play is already taken into account, so that the actual lane width between side profiles is required. The dimensions of the conveyor roller depend on the shaft version and the drive element.
Ordering dimensions for tube sleeves, e.g. PVC sleeves, see page 31.

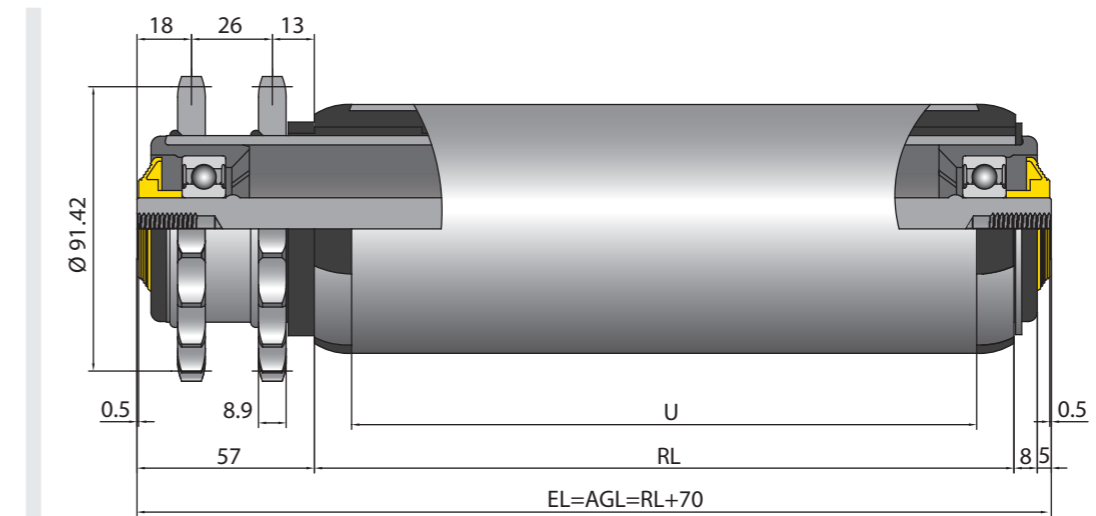
- RL = Reference length / ordering length
- EL = Installation length, inside diameter between side profiles
- AGL = Total length of shaft
- U = Usable tube length: Length without bearing housing and for flanged metal tube without length of flanging

Ø Tube [mm]	Tube material	Ø Shaft [mm]	Drive element	EL [mm]	AGL [mm]	U [mm]
80 x 2	Steel	20	Welded steel sprocket disk 5/8", T18	RL + 44	RL + 44	RL - 24
			Two welded steel sprocket disks 5/8", T18	RL + 70	RL + 70	

Double friction roller with one sprocket disk 5/8" with 18 teeth



Double friction roller with two sprocket disks 5/8" with 18 teeth



ROLLERS SERIES 3950

Heavy-duty conveyor roller



Application area

Driven unit handling conveying of heavy materials, such as transport of containers, barrels, wheels, pallets or steel containers.

Robust construction

Fixed drive conveyor roller with a particularly stable, robust construction. The sprockets are made of steel and are permanently welded.

Numerous drive types

Numerous sprocket heads are available. Chains from roller to roller or tangential chain drives can optionally be used.

Lateral loading

The tube ends are rounded, thereby allowing materials to be easily moved on from the side. Axial forces are removed through ball bearings and seals.



ROLLERS SERIES 3950

Heavy-duty conveyor roller



Technical data

General technical data		
Platform	1450	1450
Max. load capacity	5000 N	2500 N
Max. conveyor speed	0.5 m/s	0.5 m/s
Anti-static version	Yes (via sprocket head)	Yes (via sprocket head)
Temperature range	-5 to +40 °C	-28 to +40 °C
Material		
Tube	Zinc-plated steel, stainless steel	Zinc-plated steel, stainless steel
Shaft	Uncoated steel, zinc-plated steel, stainless steel	Uncoated steel, zinc-plated steel, stainless steel
Bearing housing	Polyamide, RAL9005 (jet black)	Zinc-plated steel
Drive head	Uncoated steel (the sprocket heads including tube are zinc-plated after welding them on), stainless steel	Uncoated steel (the sprocket heads including tube are zinc-plated after welding them on), stainless steel
Seal Drive side	Polyamide, RAL1021 (rape yellow)	Polyamide, RAL1021 (rape yellow) / steel
Seal on non-driven side	Polyamide, RAL1021 (rape yellow)	Zinc-plated steel
Bearing version	Precision steel ball bearing 6205 2RZ, bearing play C3, greased	Precision steel ball bearing 6205 2RZ, bearing play C3 and 6204 1Z, greased

For zinc-plated design, the tube assembly is zinc-plated by component after welding on the sprocket head.

Design versions

Tube sleeves	For tube with Ø 80 x 2 mm with sprocket head with 15 teeth: PVC sleeve (page 31) Lagging (page 34)
Anti-static version	(<10 ⁶ Ω) Standard design for rollers with tube sleeves
Tube	The following are available in addition to the variants listed in the load capacity tables: • With flanges welded on

ROLLERS SERIES 3950

Heavy-duty conveyor roller



ROLLERS SERIES 3950

Heavy-duty conveyor roller

Load capacities of series 3950

The load capacity table refers to a temperature range of +5 to +40 °C.
Valid for the following shaft designs: female thread or male thread.

Bearing: 6205 2RZ.

Tube material	Ø Tube / thickness [mm]	Drive element	Ø Shaft [mm]	Maximum static load [N] for installation length [mm]							
				200	400	600	800	1000	1200	1400	1600
Steel	80 x 2	Welded steel sprocket head 5/8", T15 and T18	20	5000	5000	5000	5000	5000	4340	3170	2420
		Welded steel double sprocket head 5/8", T15 and T18		5000	5000	5000	5000	5000	4340	3170	2420
Steel	80 x 3	Welded steel sprocket head 5/8", T15 and T18	20	5000	5000	5000	5000	5000	5000	4580	3490
		Welded steel double sprocket head 5/8", T15 and T18		5000	5000	5000	5000	5000	5000	4580	3490
Steel	89 x 3	Welded steel sprocket head 5/8", T15 and T18	20	5000	5000	5000	5000	5000	5000	5000	4865
		Welded steel double sprocket head 5/8", T15 and T18		5000	5000	5000	5000	5000	5000	5000	4865

T = Number of teeth

Load capacities of series 3950 freezer design

The load capacity table refers to a temperature range of -28 to +40 °C.

Tube material	Ø Tube / thickness [mm]	Drive element	Ø Shaft [mm]	Maximum static load [N] for installation length [mm]							
				200	400	600	800	1000	1200	1400	1600
Steel	80 x 2	Welded steel sprocket head 5/8", T15 and T18	20	2500	2500	2500	2500	2500	2170	1585	1210
		Welded steel double sprocket head 5/8", T15 and T18		2500	2500	2500	2500	2500	2170	1585	1210
Steel	80 x 3	Welded steel sprocket head 5/8", T15 and T18	20	2500	2500	2500	2500	2500	2500	2290	1745
		Welded steel double sprocket head 5/8", T15 and T18		2500	2500	2500	2500	2500	2500	2290	1745
Steel	89 x 3	Welded steel sprocket head 5/8", T15 and T18	20	2500	2500	2500	2500	2500	2500	2500	2432.5
		Welded steel double sprocket head 5/8", T15 and T18		2500	2500	2500	2500	2500	2500	2500	2432.5

T = Number of teeth

Dimensions

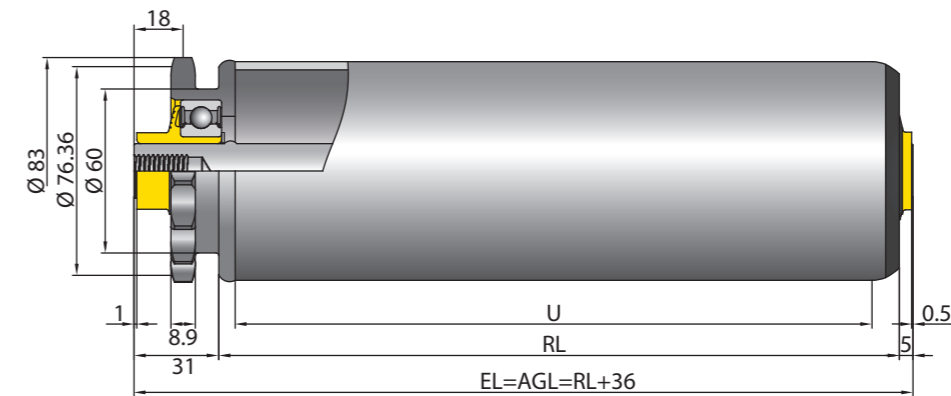
The dimensions of the conveyor roller depend on the shaft version. A sufficient axial play is already taken into account, so that only the actual lane width between side profiles is required for ordering.
Ordering dimensions for tube sleeves, e.g. PVC sleeves, see page 31, and for flanges see page 36.

- RL = Reference length / ordering length
- EL = Installation length, inside diameter between side profiles
- AGL = Total length of shaft
- U = Usable tube length: Length without bearing housing and for flanged metal tube without length of flanging

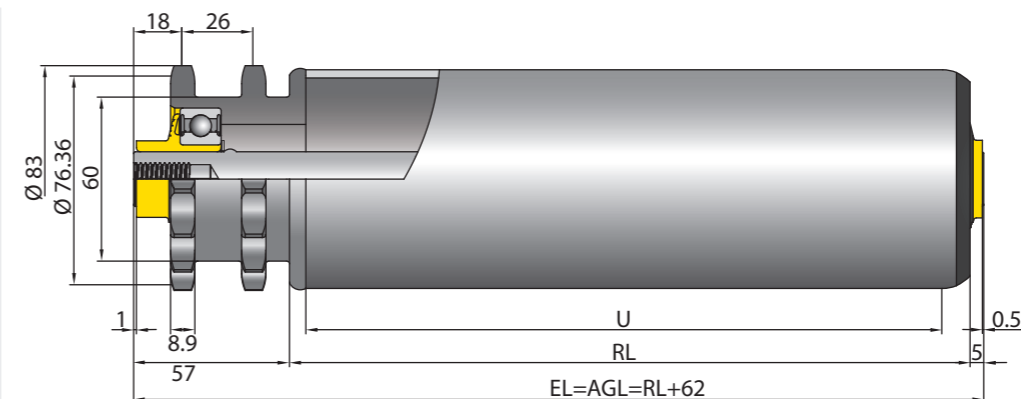
Ø Tube [mm]	Tube material	Ø Shaft [mm]	Drive element	EL [mm]	AGL [mm]	U [mm]
80 x 2; 80 x 3; 89 x 3	Steel	20	Welded steel sprocket head 5/8", T15 and T18	RL + 36	RL + 36	RL - 23
			Welded steel double sprocket head 5/8", T15 and T18	RL + 62	RL + 62	

T = Number of teeth

Welded 5/8" steel sprocket head with 15 teeth



Welded 5/8" steel double sprocket head with 15 teeth

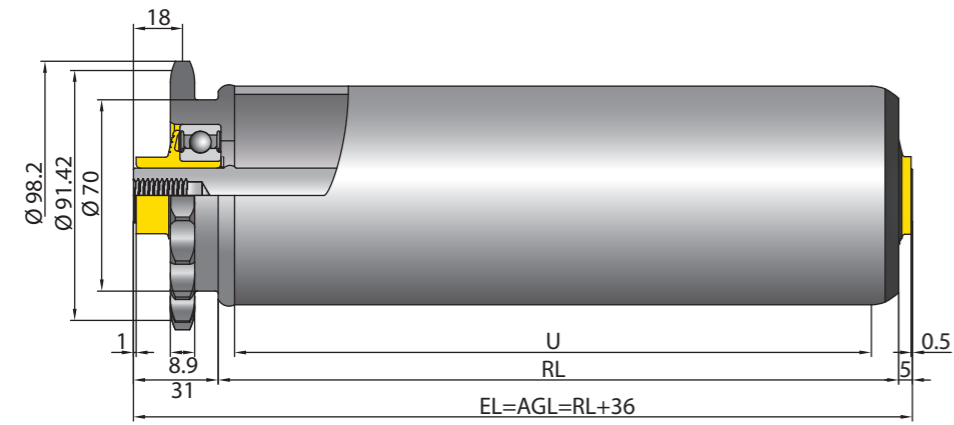


ROLLERS SERIES 3950

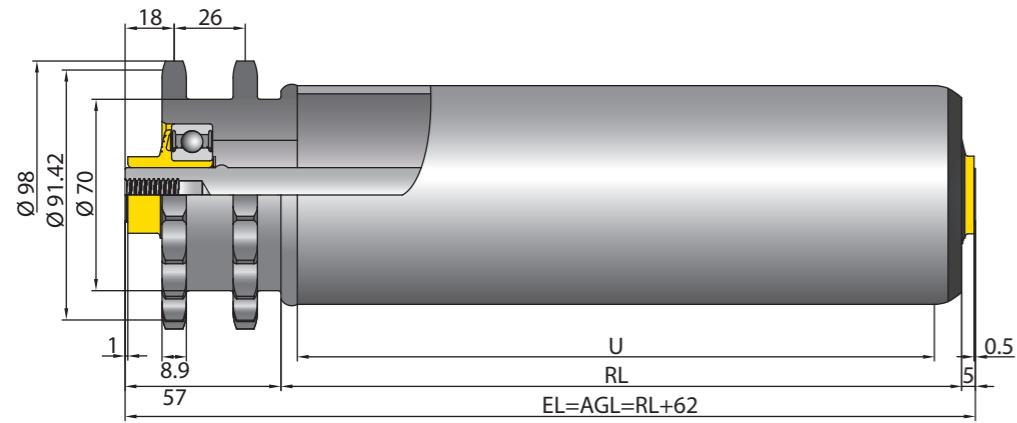
Heavy-duty conveyor roller



Welded 5/8" steel sprocket head with 18 teeth



Welded 5/8" steel double sprocket head with 18 teeth



ROLLERS SERIES MSC 50

Magnetic speed controller



Application area

Perfectly suited for use in gravity conveyors, in end points at sorters and spiral conveyors.

Purely mechanical solution

The purely mechanical solution renders a cabling or control redundant.

Maintenance and wear-free brake function

The contact-free eddy current brake operates maintenance and wear-free. It features the same high service life like a standard conveyor roller.

Soft startup

The gearless construction enables a softer startup which is already suitable for materials starting at 500 grams.

High braking power

Materials up to 35 kg can be decelerated. The tube diameter of 51 mm provides the necessary higher surface to rollers with a 50-mm tube diameter given the same fastening height and allows optimal braking.

Easy installation

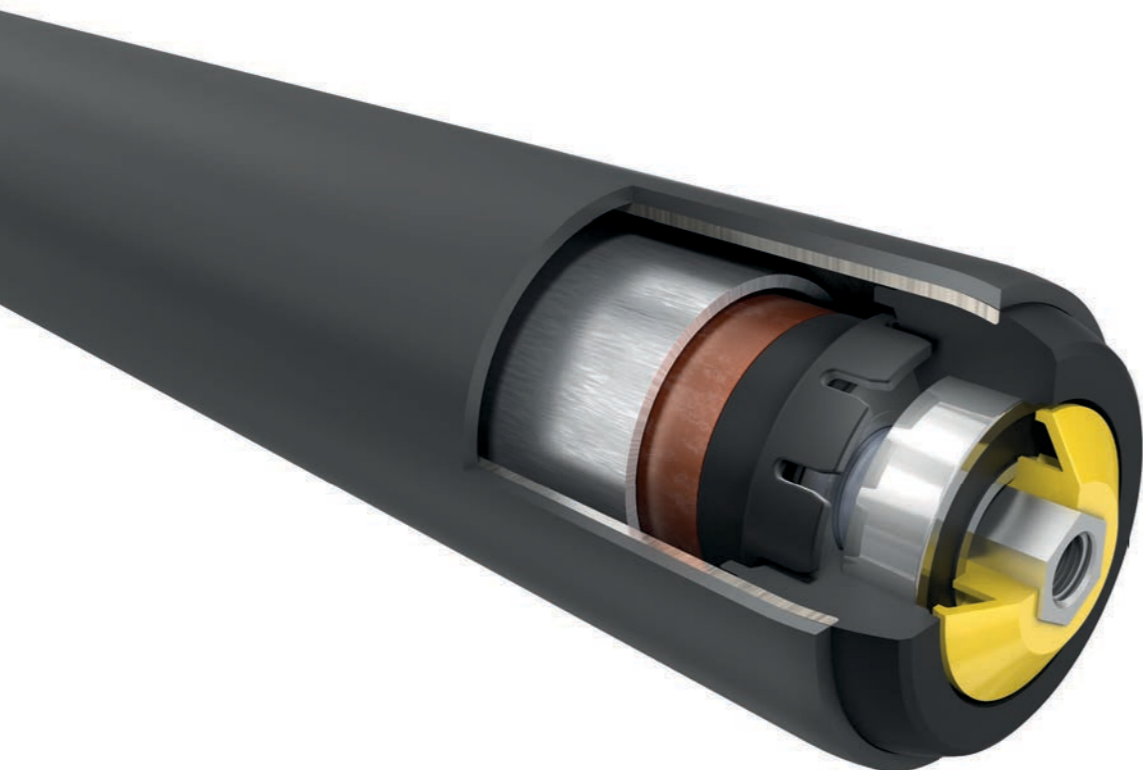
The fastening holes of the conveyor rollers can be used so that no fastening holders with additional profile holes have to be used. The direction-independent function rules out assembly errors.

No impact on sensitive materials

No emissions to the outside are being generated, such as magnetism, which allows conveying even sensitive materials, such as electronic components.

Conveyance with ease of smooth containers

The design with PU sleeve also decelerates critical materials in a reliable way.



ROLLERS SERIES MSC 50

Magnetic speed controller



Technical data

General technical data	
Platform	1700
Max. load capacity	350 N
Max. conveyor speed	2 m/s
Min. length	210 mm
Max. length	1400 mm
Temperature range	0 to +40 °C
Material	
Tube	Zinc-plated steel, stainless steel
Shaft	Stainless steel
Bearing housing	Polyamide, RAL9005 (jet black)
Seal	Polyamide, RAL1021 (rape yellow)
Bearing version	Precision steel ball bearing 6002 2RZ, bearing play C3, oiled
Magnets	Neodyme N45
Anti-static version	Yes

Design versions

Tube sleeves	PU sleeve (page 33)
--------------	---------------------

Load capacities of series MSC 50

The load capacity table refers to a temperature range of 0 to +40 °C.
Bearing: 6002 2RZ.

Tube material	Shaft design	PU sleeve	Ø Tube / thickness [mm]	Ø Shaft [mm]	Max. static load [N]
Zinc-plated steel, stainless steel	Spring-loaded shaft	None	51 x 2	11 HEX	350
		With	50 x 1.5	11 HEX	350
	Fixed shaft	None	51 x 2	11 HEX	350
		With	50 x 1.5	11 HEX	350
	Female thread	None	51 x 2	11 HEX, M8	350
		With	50 x 1.5	11 HEX, M8	350

HEX = hexagon

ROLLERS SERIES MSC 50

Magnetic speed controller

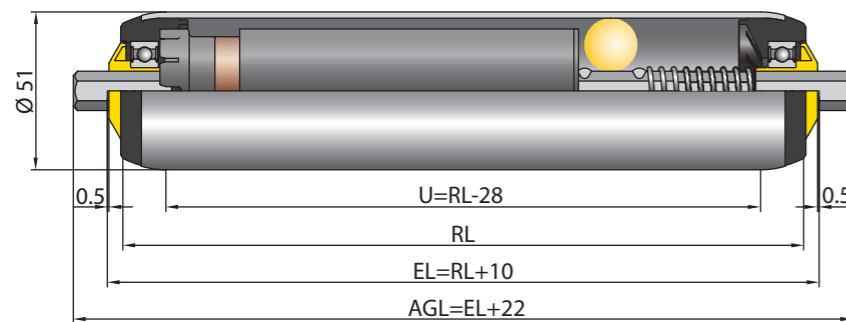


Dimensions

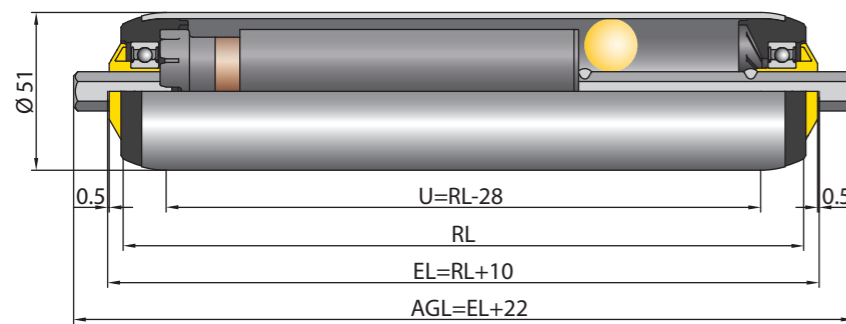
The dimensions of the conveyor roller depend on the shaft version. A sufficient axial play is already taken into account, so that only the actual lane width between side profiles is required for ordering.
Ordering dimensions for PU sleeve, see page 33.

- RL = Reference length / ordering length
- EL = Installation length, inside diameter between side profiles
- AGL = Total length of shaft
- U = Usable tube length: Length without bearing housing and for flanged metal tube without length of flanging

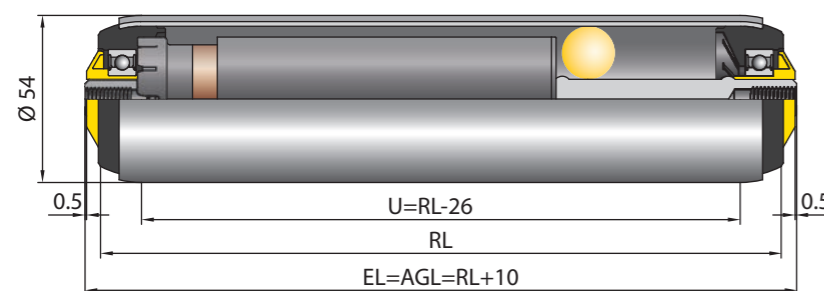
Ø 51 mm and spring-loaded shaft



Ø 51 mm and fixed shaft



Ø 54 mm (PU sleeve) and female threaded shaft



CONVEYOR ACCESSORIES SERIES 2130

Polymer conveyor wheel



Application area

This series is universally applicable, e.g. it can be used as side guide roller.

Quiet, light and robust

The material selected is a particularly impact-resistant polymer. The wheel features a double ball race made of steel, which ensures particularly quiet running. The wheel is especially light and offers a very soft startup.



CONVEYOR ACCESSORIES SERIES 2130

Polymer conveyor wheel



Technical data

General technical data	
Platform	1100
Max. load capacity	150 N
Max. conveyor speed	0.3 m/s
Temperature range	0 to +40 °C
Material	
Wheels	Polypropylene, RAL9005 (jet black)
Rubber seal	Ethylene-propylene-diene monomer (EPDM)/RAL7030 (stone gray)
Rubber gasket hardness	50 Shore A
Bearing version	Uncoated steel balls on zinc-plated steel collar
Anti-static version	No

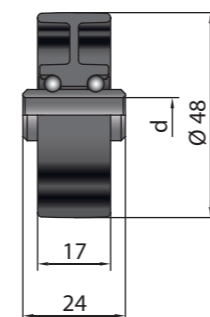
Load capacities of series 2130

The load capacity table refers to a temperature range of 0 to +40 °C.

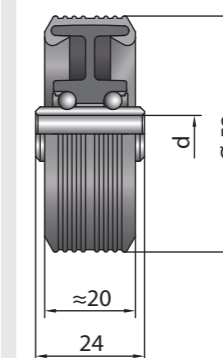
Ø of hole [mm]	Fitted rubber tire	Max. dynamic load [N]	Max. static load [N]	Article number
6.5	No	150	150	S-64000376
8.2	No	150	150	S-64000377
6.5	Yes	50	50	RD-2132
8.2	Yes	50	50	RD-2133

Dimensions

Without rubber gasket



With rubber gasket



CONVEYOR ACCESSORIES SERIES 2160

Polymer conveyor wheel

CONVEYOR ACCESSORIES SERIES 2160

Polymer conveyor wheel

Application area

This series is universally applicable. It can be used, e.g. as side guide wheel. With the variant with stainless steel balls, it can also be used in moist areas.

Quiet, light and robust

The material selected is a particularly impact-resistant polymer. The wheel is very light and offers a very soft startup. The polymer ball race enables a very low noise level.



Technical data

General technical data		
Platform	1100	1100
Material of bearing balls	Uncoated steel	Stainless steel
Max. load capacity	40 N	40 N
Max. conveyor speed	0.3 m/s	0.3 m/s
Temperature range	0 to +40 °C	0 to +40 °C
Wheels	Polypropylene, RAL9005 (jet black)	Polypropylene, RAL7030 (stone gray)
Wheel diameter	48 mm	48 mm
Collar version	Polymer	Polymer
Collar diameter	8 mm	8 mm
Anti-static version	No	No
Weight	18 g	18 g

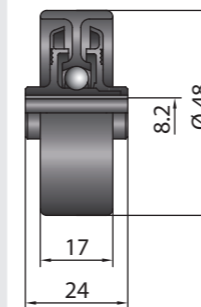
Load capacities of series 2160

The load capacity table refers to a temperature range of 0 to +40 °C.

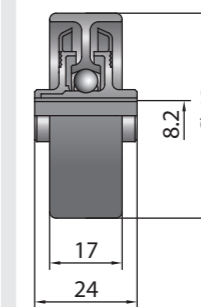
Material of bearing balls	Max. static load [N]	Article number
Uncoated steel	40	S-64000378
Stainless steel	40	S-64000379

Dimensions

Uncoated steel bearing balls



Stainless steel bearing balls



CONVEYOR ACCESSORIES SERIES 2200

Steel conveyor wheel



Application area

This series is universally applicable, can be used in freezer areas and as side guide wheel.

Stable running and long service life

The steel conveyor wheel excels with its high load capacity, robustness at high and low temperatures as well as good running stability. Hardened ball running surfaces ensure a long service life.



CONVEYOR ACCESSORIES SERIES 2200

Steel conveyor wheel



Technical data

General technical data	
Platform	1200
Max. load capacity	200 N
Max. conveyor speed	0.3 m/s
Temperature range	-30 °C to +40 °C, for rubber gasket 0 °C to +40 °C
Material	
Wheels	Zinc-plated steel
Rubber seal	Ethylene-propylene-diene monomer (EPDM) / RAL7030 (stone gray)
Rubber gasket hardness	50 Shore A
Bearing version	Uncoated steel balls on zinc-plated steel collar, single line ball race
Anti-static version	Yes (< 10 ⁶ Ω)

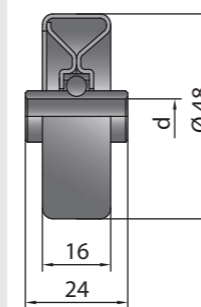
Load capacities of series 2200

The following load capacity table refers to a temperature range of -30 to +40 °C.

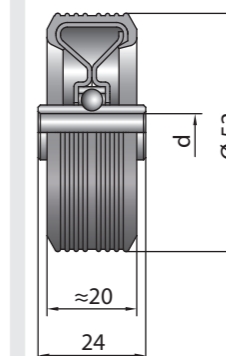
Ø Hole d [mm]	Fitted rubber tire	Max. dynamic load [N]	Max. static load [N]	Article number
6.5	No	200	200	S-1001352
8.2	No	200	200	S-1001353
6.5	Yes	50	50	RD-2202
8.2	Yes	50	50	RD-2203

Dimensions

Without rubber gasket



With rubber gasket



CONVEYOR ACCESSORIES SERIES 2370

Polymer conveyor wheel



CONVEYOR ACCESSORIES SERIES 2370

Polymer conveyor wheel

Application area

The product is universally applicable and particularly suited for conveyor sections in which no continuous roller can be used. Among other things, it is used with packaging machines and in mechanical engineering, e.g. for transporting workpiece carriers or containers that allow a lateral guide.

Easy installation

The conveyor wheel is fixed via a floating fastening at the profile and can be installed with ease. A 2-mm large slot for placing the screwdriver is available.

Low operating noise

The wheel ensures low-noise running.

Robust construction

The wheel is made of impact-resistant polymer and features a double ball race.

Technical data

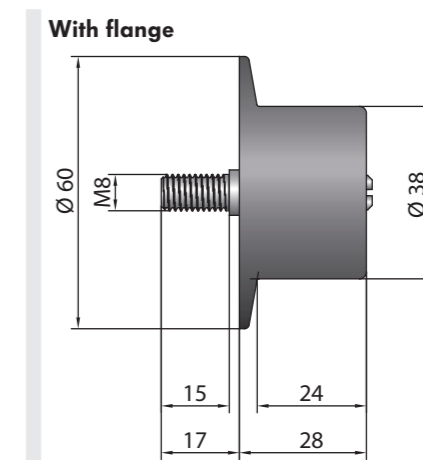
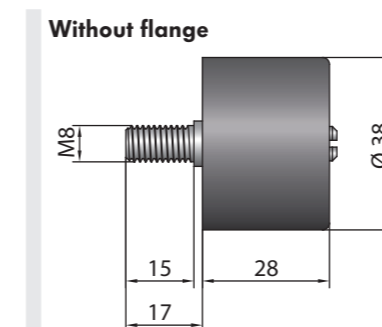
General technical data	
Platform	1100
Max. load capacity	50 N
Max. conveyor speed	0.3 m/s
Temperature range	0 to +40 °C
Material	
Wheels	Polypropylene, RAL9005 (jet black)
Shaft journal design	Zinc-plated steel, M8 thread, 15 mm long
Bearing version	Uncoated steel balls on zinc-plated collar or stainless steel balls on stainless steel collar
Anti-static version	No

Load capacities of series 2370

The load capacity table refers to a temperature range of 0 to +40 °C.

Flange	Storage	Color	Weight [g]	Load capacity [N]	Article number
None	Uncoated steel balls, zinc-plated steel collar	Black	45	50	S-64000446
	Stainless steel balls, stainless steel collar	Gray	45	50	S-64000448
With	Uncoated steel balls, zinc-plated steel collar	Black	49	50	S-64000445
	Stainless steel balls, stainless steel collar	Gray	49	50	S-64000447

Dimensions





Application area

Crossings and switches can easily be implemented with the direction-independent turnability. Driven and non-driven conveyor segments, e.g. packing tables, assembly tables and feeds to processing machines. Particularly suited for softer materials such as cardboards.

Easy installation and use

Easy installation on round and hexagon shaft. With low mass and easy running gray wheels, the omniwheel can easily be moved in all directions. Several omniwheels can be coupled with one another. Corrosion-proof due to the use of stainless steel pins. Drive in one direction when used with a hexagon shaft.



Technical data

General technical data	
Platform	1500
Max. load capacity	250 N
Max. conveyor speed	0.2 m/s
Temperature range	0 to +40 °C
Material	
Housing	Polyamide, RAL9005 (jet black)
Wheels	Polyamide, RAL7030 (stone gray)
Journal	Stainless steel
Bearing version	Slide bearing
Anti-static version	No

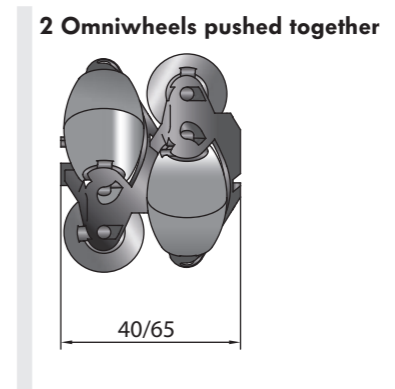
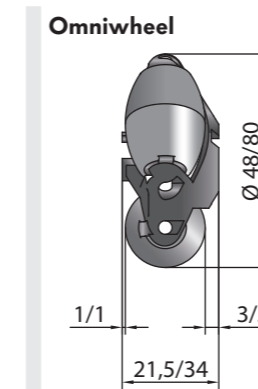
Load capacities of series 2500

The following load capacity table refers to a temperature range from 0 to +40 °C and to one omniwheel each.

Ø Omniwheel [mm]	Hub opening [mm]	Load capacity [N]	Article number
48	8.1 +0.1 / -0	50	S-64000380
	8.1 +0.1 / -0 HEX	50	S-64000381
80	12.2 +0.1 / -0	250	S-64000382
	11.2 +0.1 / -0 HEX	250	S-64000383

HEX = hexagon

Dimensions



CONVEYOR ACCESSORIES SERIES 2600

Pressure roller



Application area

Suitable for use with conveyors that are driven via flat belts or drive shaft. As belt pressure wheel suitable for flat belts with 20 to 30 mm width. When used on a drive shaft, the round belt guide wheel takes on the function of a friction shaft. A floating fastening on the profile is used.

Solid installation

The support of both ball bearings is accomplished with a space tube and allows a firm screw connection.

Good running properties

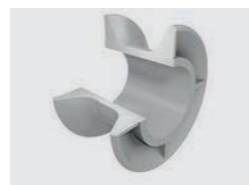
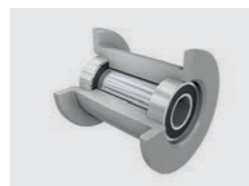
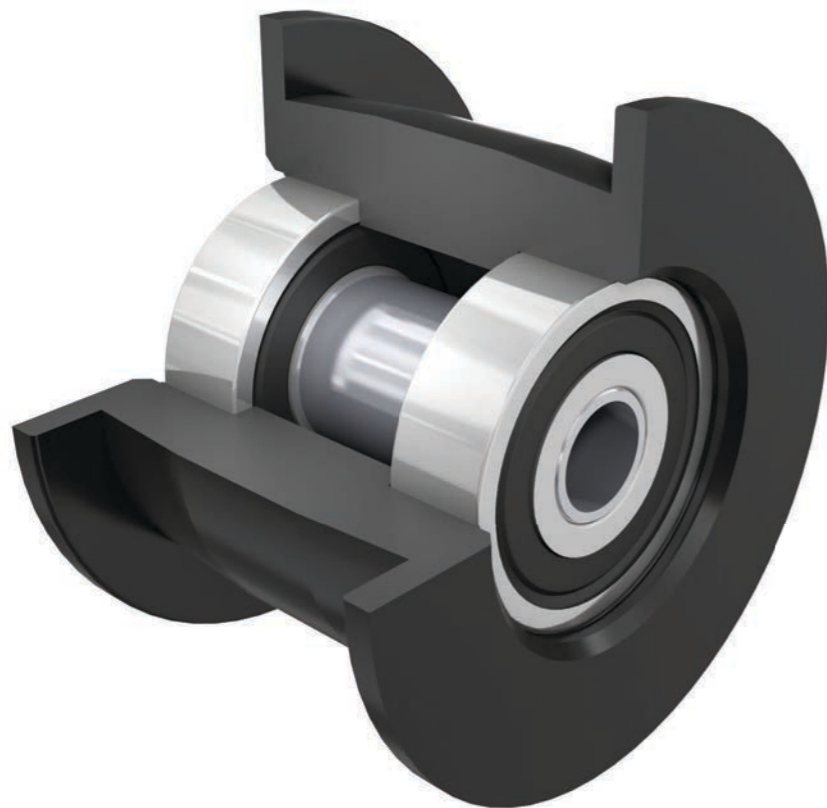
Precision ball bearings of type 6000 2Z and type 688 2Z are used.

Rust-free variant

For use under moist ambient conditions, a version made of stainless steel is available as an alternative. The slide bearings for the round belt guide wheels consist of polyamide.

Reliable belt guides

The running surfaces for the belts feature a spherical shape. It allows the belt to self-center in the guides.



CONVEYOR ACCESSORIES SERIES 2600

Pressure roller



Technical data

General technical data	
Platform	1700
Max. load capacity	250 N
Max. conveyor speed	2.5 m/s
Temperature range	0 to +40 °C
Material	
Wheels	See load capacity table
Bearing version	See load capacity table
Anti-static version	No

Load capacities of series 2600

The load capacity table refers to a temperature range of 0 to +40 °C.

Drive element	Bearing version	Flange	Material	Color	Max. conveyor speed [m/s]	Max. static load [N]	Article number
Flat belt	6000 2Z	Yes	Polyamide	Black	2.5	250	S-64000385
	6000 2Z stainless steel	Yes	Polyamide	White	2.5	250	S-64000386
	6000 2Z	No	Polyamide	Black	2.5	250	S-64000388
Round belt	Slide bearing	No	Polyoxymethylene	Gray	1.2	120	S-64000182

CONVEYOR ACCESSORIES

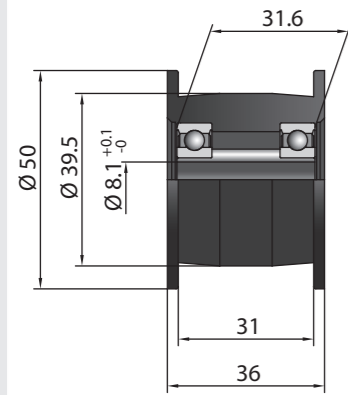
SERIES 2600

Pressure roller

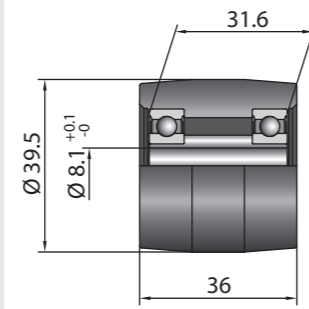


Dimensions

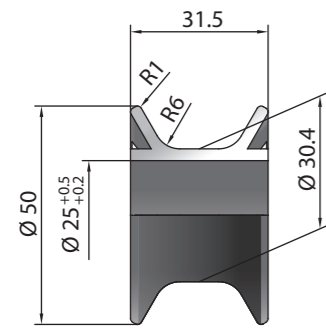
Flat belt drive and flange



Flat belt drive



Round belt drive



CONVEYOR ACCESSORIES SERIES 2800

Omnimat module



CONVEYOR ACCESSORIES SERIES 2800

Omnimat module

Application area

Crossings and switches can easily be implemented with the direction-independent turnability. Use as non-driven wheel conveyors for packing tables, assembly tables and feed to processing machines. Particularly suited for softer materials such as cardboards.

Product benefits

- Conveyance possible in every direction
- Corrosion-proof due to the use of stainless steel pins.
- Lateral dove tail profiles for fixed and form-fit connection; floor fastening with screw holes
- Flexible adaptability and expandability
- Different modules can be combined
- Closed version can be applied as spacer

Technical data

General technical data	
Platform	1500
Max. load capacity	50 N
Max. conveyor speed	0.2 m/s
Temperature range	0 to +40 °C
Material	
Module	Polypropylene, RAL1021 (rape yellow)
Wheel / housing	See series 2500, use of wheels with Ø 48 mm with hub opening for 8 mm round shaft
Wheel mounting	Round stainless steel shaft, Ø 8 mm
Anti-static version	No

Load capacities of series 2800

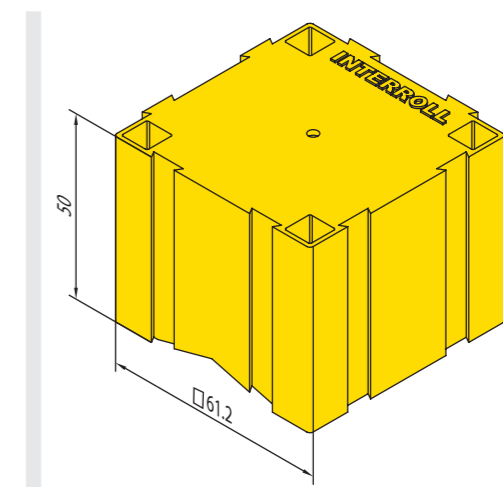
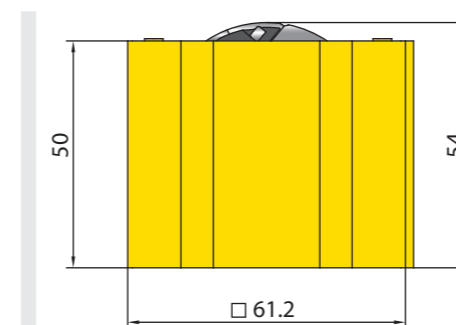
The load capacity table refers to a temperature range of 0 to +40 °C.

Omnimat module	Load capacity [N]	Article number
With two polymer conveyor rollers	50	S-64000389
Closed, without wheels	–	S-64000243



Dimensions

With and without omniwheel



CONVEYOR ACCESSORIES SERIES 5000

Steel ball transfer unit



Application area

Alignment of medium-heavy and heavy materials, such as plates or containers with a smooth bottom. For pushing, e.g. steel or wooden plates. Suitable for applications that require an upside-down installation.

Direction-independent operation

The use of balls allows transporting the material in every direction. Crossings and switches can also be implemented easily. In addition, particularly soft running balls are being used.

Good protection against dust and splashing water

For variants with steel balls, a felt seal keeps out dust and splashing water. Variants with balls in stainless steel design also feature a long corrosion resistance.

Secure support

During operation, support balls circulate under the main ball. This accomplishes a constant and optimal support of the material.



CONVEYOR ACCESSORIES SERIES 5000

Steel ball transfer unit



Technical data

General technical data	
Platform	5000
Max. load capacity	22,000 N
Max. conveyor speed	0.3 m/s
Temperature range	-30 to +40 °C
Material	
Ball	See load capacity table
Housing material	Zinc-plated steel (black)
Anti-static version	Yes (< 10 ⁶ Ω)

To ensure optimum load capacity, it is advised that all ball transfer units are positioned at the exact same level.

Additional variants available on request.

CONVEYOR ACCESSORIES SERIES 5000

Steel ball transfer unit



CONVEYOR ACCESSORIES SERIES 5000

Steel ball transfer unit

Load capacities of series 5000

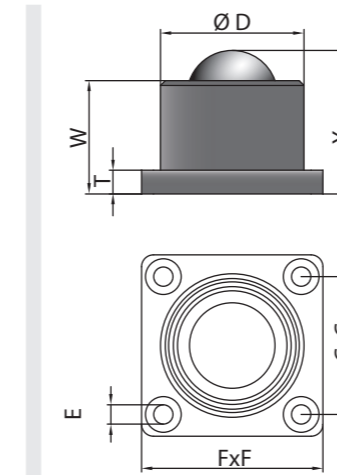
The following load capacity table refers to a temperature range of -30 to +40 °C.

Fastener	Ø of ball [mm]	Ball material	Material of support balls	Max. static load [N]	Article number
Base flange	12.7	Chrome steel	Chrome steel	460	S-1100048
	25.4	Chrome steel	Chrome steel	2250	S-1001365
	25.4	Chrome steel	Chrome steel	3750	S-1001366
	38.1	Chrome steel	Chrome steel	11000	S-1001367
	50.8	Chrome steel	Chrome steel	22000	S-1001368
Threaded pin	12.7	Chrome steel	Chrome steel	460	S-1001359
	25.4	Chrome steel	Chrome steel	2250	S-1001360
	25.4	Chrome steel	Chrome steel	3750	S-1001361
	38.1	Chrome steel	Chrome steel	11000	S-1001362
	50.8	Chrome steel	Chrome steel	22000	S-1001363
Head flange	12.7	Chrome steel	Chrome steel	460	S-1001369
	25.4	Chrome steel	Chrome steel	2250	S-1001370
	25.4	Chrome steel	Chrome steel	3750	S-1001371
	38.1	Chrome steel	Chrome steel	11000	S-1001372
	50.8	Chrome steel	Chrome steel	22000	S-1001373
Flush installation (press fit)	12.7	Chrome steel	Chrome steel	460	S-1001356
	38.1	Stainless steel	Stainless steel	11000	S-1001378
External suspension	38.1	Chrome steel	Chrome steel	9600 at max. deflection	S-1100285

Spring pretension of "External suspension" variant = 454 kg

Dimensions

Bottom flange (for screw fastening)



Article number	Ø Ball [mm]	Ø D [mm]	Y [mm]	W [mm]	T [mm]	F x F [mm]	C x C [mm]	E [mm]
S-1100048	12.7	23.8	22.2	18.4	3.2	Ø 44.5	Ø 34.9	2 x Ø 3.6
S-1001365	25.4	44	41.3	35.7	4.8	□ 57.2	□ 44.5	4 x Ø 6.1
S-1001366	25.4	50	44.5	38.1	6.4	□ 76.2	□ 57.9	4 x Ø 8.1
S-1001367	38.1	60	61.5	48.8	12.7	□ 76.2	□ 57.9	4 x Ø 8.1
S-1001368	50.8	100	98.4	84.1	9.5	□ 127	□ 101.6	4 x Ø 11.1*

* not countersunk

CONVEYOR ACCESSORIES SERIES 5000

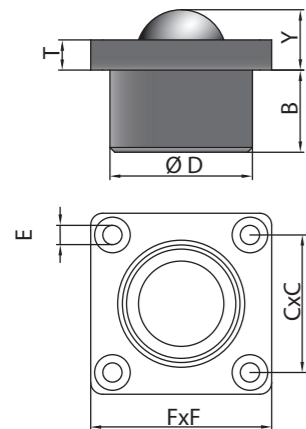
Steel ball transfer unit



CONVEYOR ACCESSORIES SERIES 5000

Steel ball transfer unit

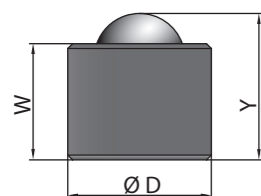
Head flange (for screw fastening)



Article number	Ø Ball [mm]	Ø D [mm]	Y [mm]	B [mm]	T [mm]	F x F [mm]	C x C [mm]	E [mm]
S-1001369	12.7	23.8	11.2	11	3.2	Ø 44.5	Ø 34.9	2 x Ø 3.6
S-1001370	25.4	44	10.3	31	4.8	□ 57.2	□ 44.5	4 x Ø 6.1
S-1001371	25.4	50	12.7	31.8	6.4	□ 76.2	□ 57.9	4 x Ø 8.1
S-1001372	38.1	60	25.4	34.6	12.7	□ 76.2	□ 57.9	4 x Ø 8.1
S-1001373	50.8	109.5	33.3	65.1	19.1	□ 127	□ 101.6	4 x Ø 10.2*

* not countersunk

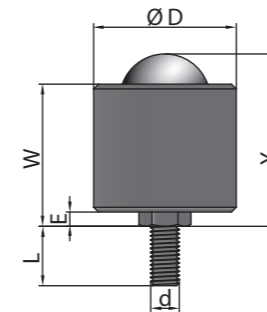
Flush installation (press fit)



Article number	Ø Ball [mm]	Ø D [mm]	Y [mm]	W [mm]
S-1001356	12.7	20.6	19.1*	15.3
S-1001378	38.1	60.3	61.5	48.8

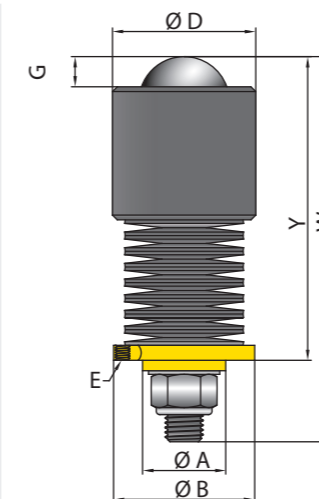
* total height including locking pin 22.3 mm

Threaded pin



Article number	Ø Ball [mm]	Ø D [mm]	Y [mm]	W [mm]	L [mm]	d [mm]
S-1001359	12.7	20	19.1	15.3	16.1	M8 x 1.25
S-1001360	25.4	44	48.3	42.7	25	M12 x 1.75
S-1001361	25.4	50	51.3	44.9	25	M12 x 1.75
S-1001362	38.1	60	73.5	60.8	40	M20 x 2.5
S-1001363	50.8	100	105	90.7	54	M24 x 3

External suspension



Article number	Ø Ball [mm]	Pretension [kg]	Max. deflection (recd.)	Load at max. deflection [kg]	Ø D [mm]	Y [mm]	W [mm]	Ø A [mm]	Ø B [mm]	Mounting holes E (Ø Pitch circle) [mm]	G [mm]
S-1100285	38.1	454	11.1	960	60.3	129.2	162.1	35	59.4	M6 x 3 (Ø 50.8)	12.7

CONVEYOR ACCESSORIES SERIES 5500

Polymer ball transfer unit



Application area

The roller is used for aligning medium-heavy materials, e.g. plates, containers or cardboards with smooth bottom. Furthermore, the roller can be used for pushing, e.g. when transporting steel or wooden plates.

Direction-independent operation

The use of balls allows transporting the material in every direction. Crossings and switches can also be implemented easily. In addition, particularly soft running balls are being used.

Good protection against dust and humidity

For variants with steel balls, a felt seal keeps out dust. Design with main balls made of stainless steel or polymer also show a high corrosion resistance.

Suitable for sensitive materials

Variants with polymer balls are available for transporting goods with sensitive surfaces.

Secure support

The main ball rotates on support balls which turn on a ball socket. This accomplishes a good support of the material. The ball socket consists of stainless steel in all variants.



CONVEYOR ACCESSORIES SERIES 5500

Polymer ball transfer unit



Technical data

General technical data			
Platform	5000	5000	5000
Max. load capacity	400 N	400 N	150 N
Max. conveyor speed	0.3 m/s	0.3 m/s	0.3 m/s
Temperature range	0 to +40 °C	0 to +40 °C	0 to +40 °C
Material			
Ball	Carbon steel	Stainless steel	Polyamide (white)
Housing	Polyamide, RAL9005 (jet black)	Polyamide, RAL7030 (stone gray)	Polyamide, RAL9005 (jet black)
Support ball	Uncoated steel	Stainless steel	Uncoated steel
Ball socket	Stainless steel	Stainless steel	Stainless steel
Anti-static version	No	No	No

To ensure optimum load capacity, it is advised that all ball transfer units are positioned at the exact same level.

Load capacities of series 5500

The load capacity table refers to a temperature range of 0 to +40 °C.

Fastener	Ø Ball [mm]	Ball material	Max. static load [N]	Article number
Bottom flange (for screw fastening)	25.4	Zinc-plated steel	400	S-64000391
		Stainless steel	400	S-64000396
		Polyamide	150	S-64000404
Head flange (press fit)	25.4	Zinc-plated steel	300	S-64000394
		Stainless steel	300	S-64000398
		Polyamide	150	S-64000406
Threaded pin	25.4	Zinc-plated steel	400	S-64000395
		Stainless steel	400	S-64000399
		Polyamide	150	S-64000402
Head flange (for screw fastening)	25.4	Zinc-plated steel	300	S-64000392
		Stainless steel	300	S-64000397
		Polyamide	150	S-64000405

CONVEYOR ACCESSORIES SERIES 5500

Polymer ball transfer unit

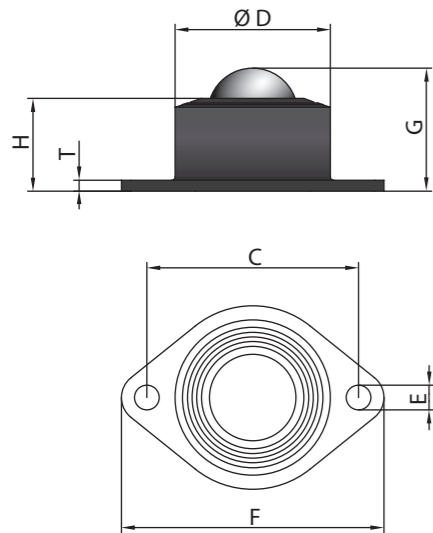


CONVEYOR ACCESSORIES SERIES 5500

Polymer ball transfer unit

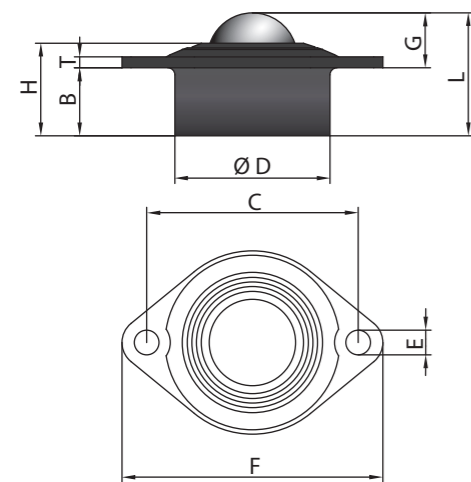
Dimensions

Bottom flange (for screw fastening)



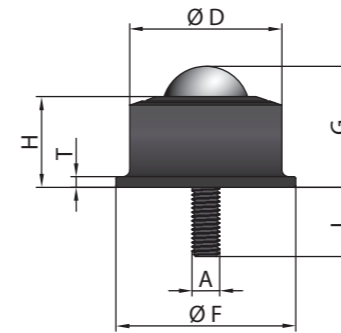
Ø D [mm]	G [mm]	H [mm]	T [mm]	C [mm]	F [mm]	E [mm]
44 +0 / -0.2	35	26	3	60	74 / 52	Ø 7

Head flange (for screw fastening)



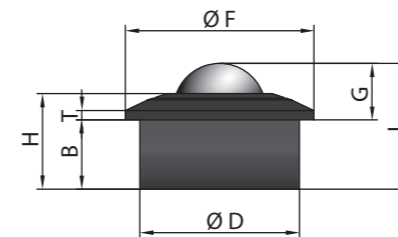
Ø D [mm]	G [mm]	H [mm]	T [mm]	B [mm]	L [mm]	C [mm]	F [mm]	E [mm]
44 +0 / -0.2	15.6	26.3	3	19.3	34.9	60	74 / 52	Ø 7

Threaded pin



Ø D [mm]	G [mm]	A [mm]	L [mm]	Ø F [mm]	T [mm]	H [mm]
44 +0 / -0.2	35	M8	20	52	3	26.3

Head flange (press fit)



Ø D [mm]	G [mm]	Ø F [mm]	L [mm]	B [mm]	T [mm]	H [mm]
44 +0 / -0.2	15.6	52	34.7	19.1	2.6	26.3

CONVEYOR ACCESSORIES FLOWAY SERIES

Wheel track



CONVEYOR ACCESSORIES FLOWAY SERIES

Wheel track



Application area

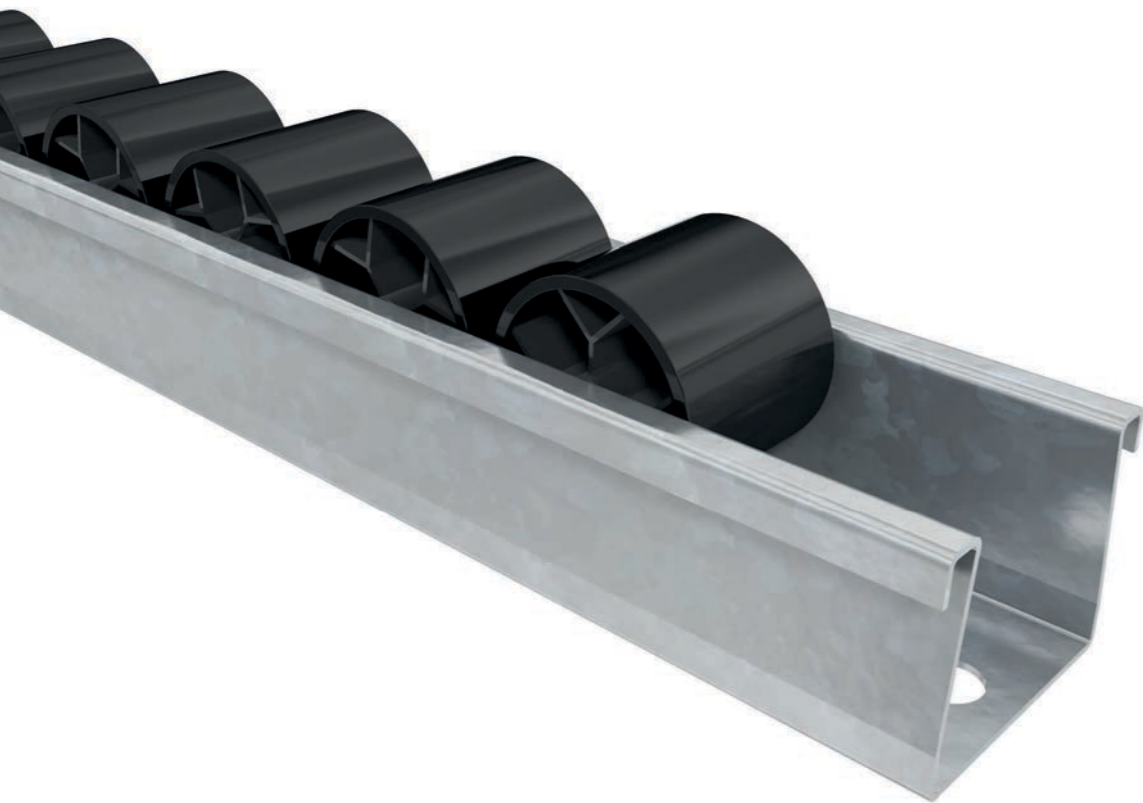
The track is universally applicable and suitable for light materials. It can be used in gravity conveyors, pushing and also as side guide. They are generally used in order picking racks.

Secure guides

The track is designed so that it prevents an opening and jumping out of the wheels under load.

Robust construction

The continuous steel shaft guarantees high stability. The secure shaft support at the outer wings of the rail ensures that free-running of the wheels is also ensured under load.



Technical data

General technical data

Platform	1500
Temperature range	-30 to +5 °C
Lengths	504 mm to 5500 mm
Wheel pitch	28 mm, 42 mm, 56 mm
Shaft diameter	3 mm
Wheel track wall thickness	0.8 mm

Material

Wheel track	Zinc-plated steel
Shaft	Zinc-plated steel
Wheels	Polyethylene, RAL9005 (jet black), RAL1021 (yellow), RAL3020 (red)
Anti-static version	No

CONVEYOR ACCESSORIES SERIES BU40

Wheel track



Application area

The track is universally applicable and suitable for light and medium-heavy materials. It can be used in gravity conveyors, pushing and also as side guide. Different wheel pitches can be selected.

Medium-heavy materials to be conveyed

If medium-heavy goods have to be handled, the wheel track can be equipped with steel wheels.

Sensitive materials

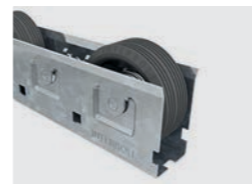
To transport goods with critical surfaces, polymer wheels with covered rubber gasket can be used which minimize the risk of damages.

Good corrosion protection

The wheel track is made of zinc-plated steel.

Easy installation

The wheels can easily be inserted in the track with a snap-in function.



CONVEYOR ACCESSORIES SERIES BU40

Wheel track



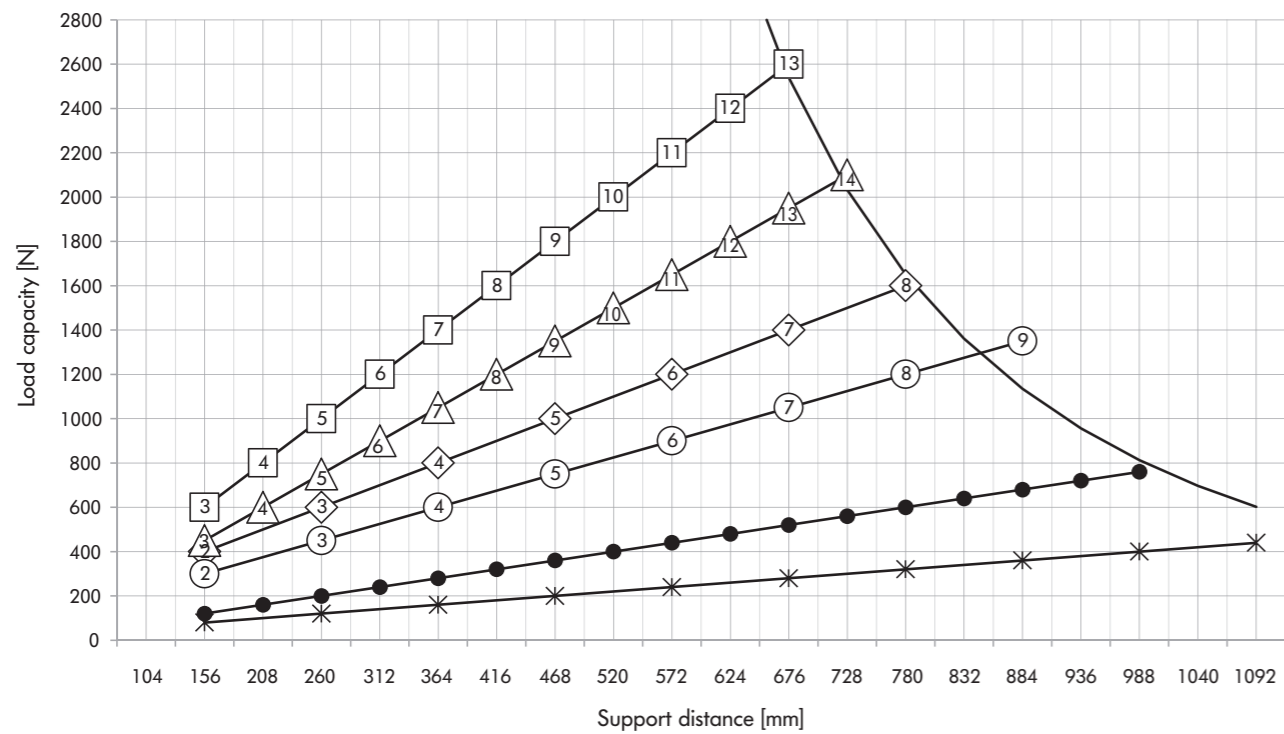
Technical data

General technical data		
Wheels used	Polymer wheel (to series 2130 or 2160)	Steel wheels (after series 2200)
Platform	1100	1200
Max. load capacity	1500 N	2600 N
Max. conveyor speed	1 m/s	1 m/s
Temperature range	0 to +40 °C	-30 to +40 °C
Wheel pitch	52 mm, 104 mm	52 mm, 104 mm
Wheel track wall thickness	1.2 mm	1.2 mm
Min. length	156 mm	156 mm
Max. length	2496 mm	2496 mm
Hub inside diameter	8.2 mm	8.2 mm
Material		
Wheel track	Zinc-plated steel	Zinc-plated steel
Anti-static version	No	Yes (< 10 ⁶ Ω)



Load capacities of series BU40

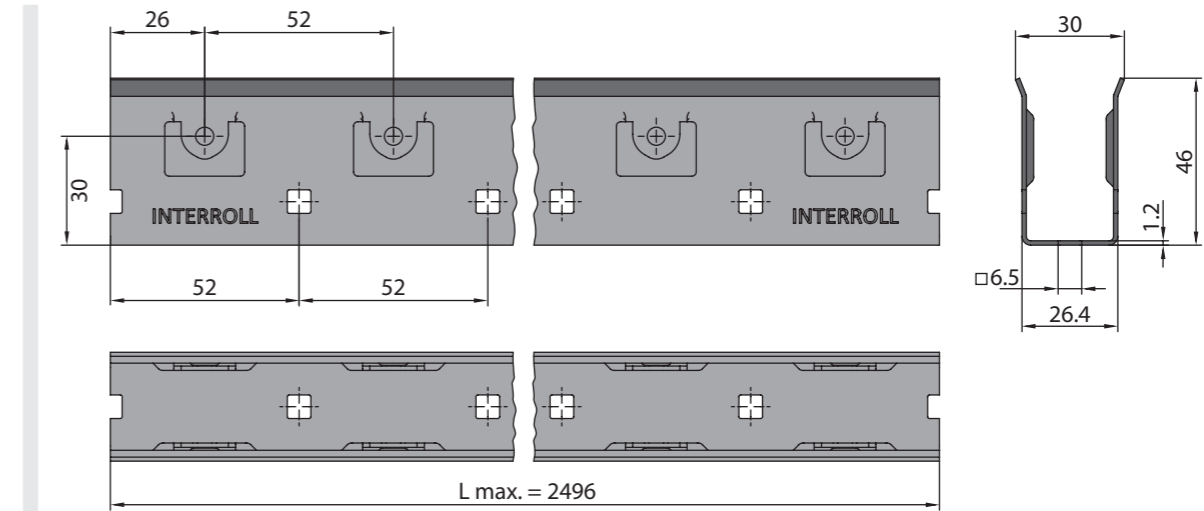
The load capacity table refers to a temperature range from -30 to +40 °C for steel wheels and to a temperature range from 0 to +20 °C for polymer wheels. The load depends on the selected wheel type (polymer or steel), the selected roller pitch (52 or 104 mm), and the distance from the support cross ties under the wheel track.



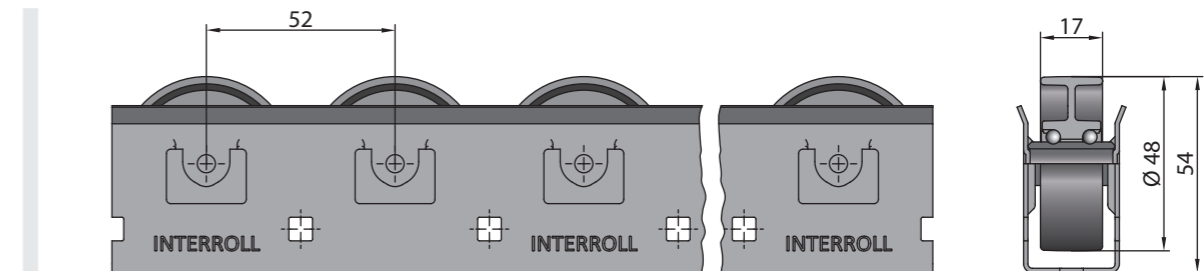
- BU40 profile with max. 2 mm bending
- Series 2200: Number of wheels with 52-mm pitch
- ◇ Series 2200: Number of wheels with 104-mm pitch
- △ Series 2130: Number of wheels with 52-mm pitch
- Series 2130: Number of wheels with 104-mm pitch
- Series 2160: Number of wheels with 52-mm pitch
- * Series 2160: Number of wheels with 104-mm pitch

Dimensions

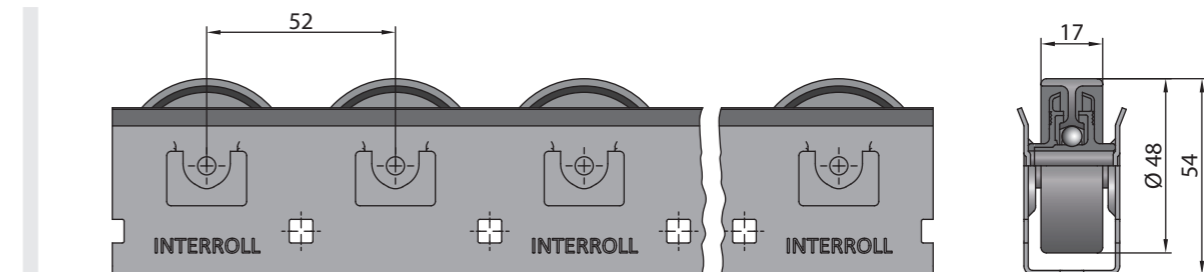
Track without wheel



Track with wheel of series 2130



Track with wheel of series 2160



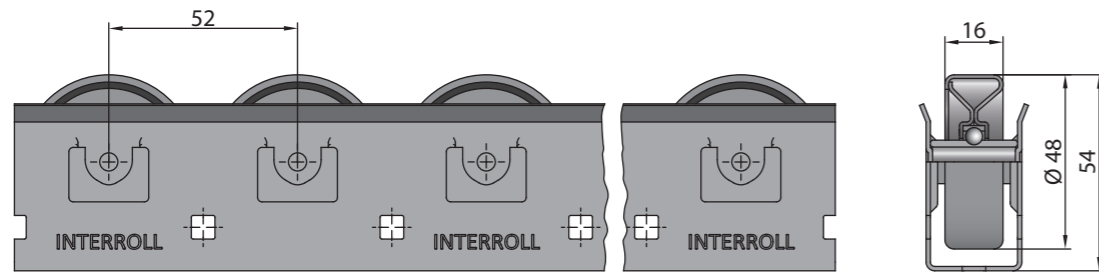
CONVEYOR ACCESSORIES

SERIES BU40

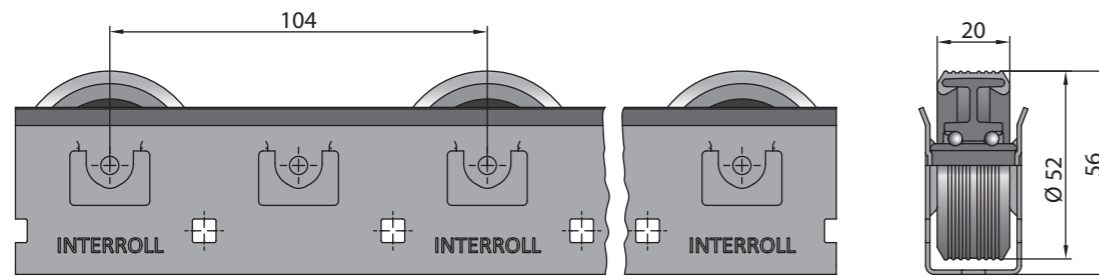
Wheel track



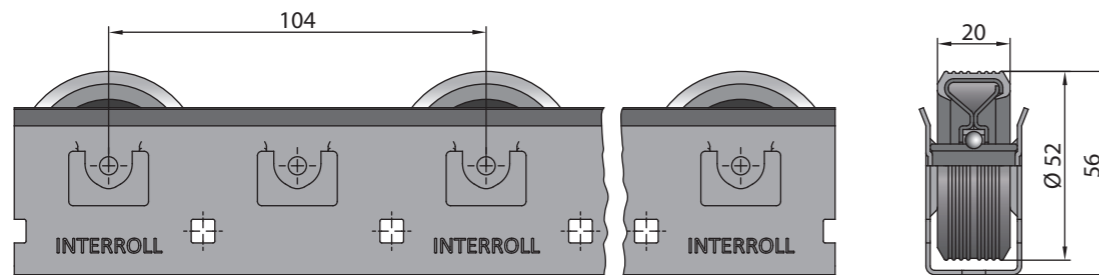
Track with wheel of series 2200



Track with wheel of series 2130 with rubber gasket



Track with wheel of series 2200 with rubber gasket



CONVEYOR ACCESSORIES SERIES BU50

Roller track



Application area

The track is universally applicable and suitable for heavy materials. It can be used in gravity conveyors, pushing and also as side guide. Different roller pitches can be selected.

Heavy materials

The track can be designed with steel rollers if heavy materials have to be moved.

Sensitive materials

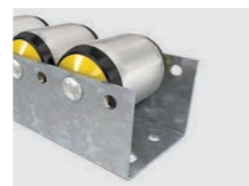
To transport goods with critical surfaces, polymer rollers can be used which minimize the risk of damages. Polymer rollers are also available in a flange design.

Robust construction

Robust rollers of series 1700 with a diameter of 50 mm are used in the track. The rollers are riveted in the profile.

Good corrosion protection

The roller track is made of zinc-plated steel.



CONVEYOR ACCESSORIES SERIES BU50

Roller track



Technical data

General technical data		
Platform	1700	1700
Roller versions	Polymer roller without flange (article number 2901) polymer roller with flange (article number 2911)	Zinc-plated steel roller without flange (article number 2955)
Max. load capacity	5,400 N	15,500 N
Max. conveyor speed	2 m/s	2 m/s
Roller pitch (P)	52 mm, 78 mm, 104 mm, 156 mm	52 mm, 78 mm, 104 mm, 156 mm
Temperature range	0 to +40 °C	-28 to +40 °C
Roller track wall thickness	2.5 mm	2.5 mm
Min. length	130 mm	130 mm
Max. length	3900 mm	3900 mm
Load shaft (riveted)	8 mm	8 mm
Material		
Roller track	Zinc-plated steel	Zinc-plated steel
Anti-static version	No	No



Load capacities of series BU50

The following load capacity tables refer to a temperature range from -5 °C to +40 °C for steel rollers and to a temperature range from 0 °C to +40 °C for polymer rollers. The maximum static load at -28 °C to -6 °C measures 350 N.

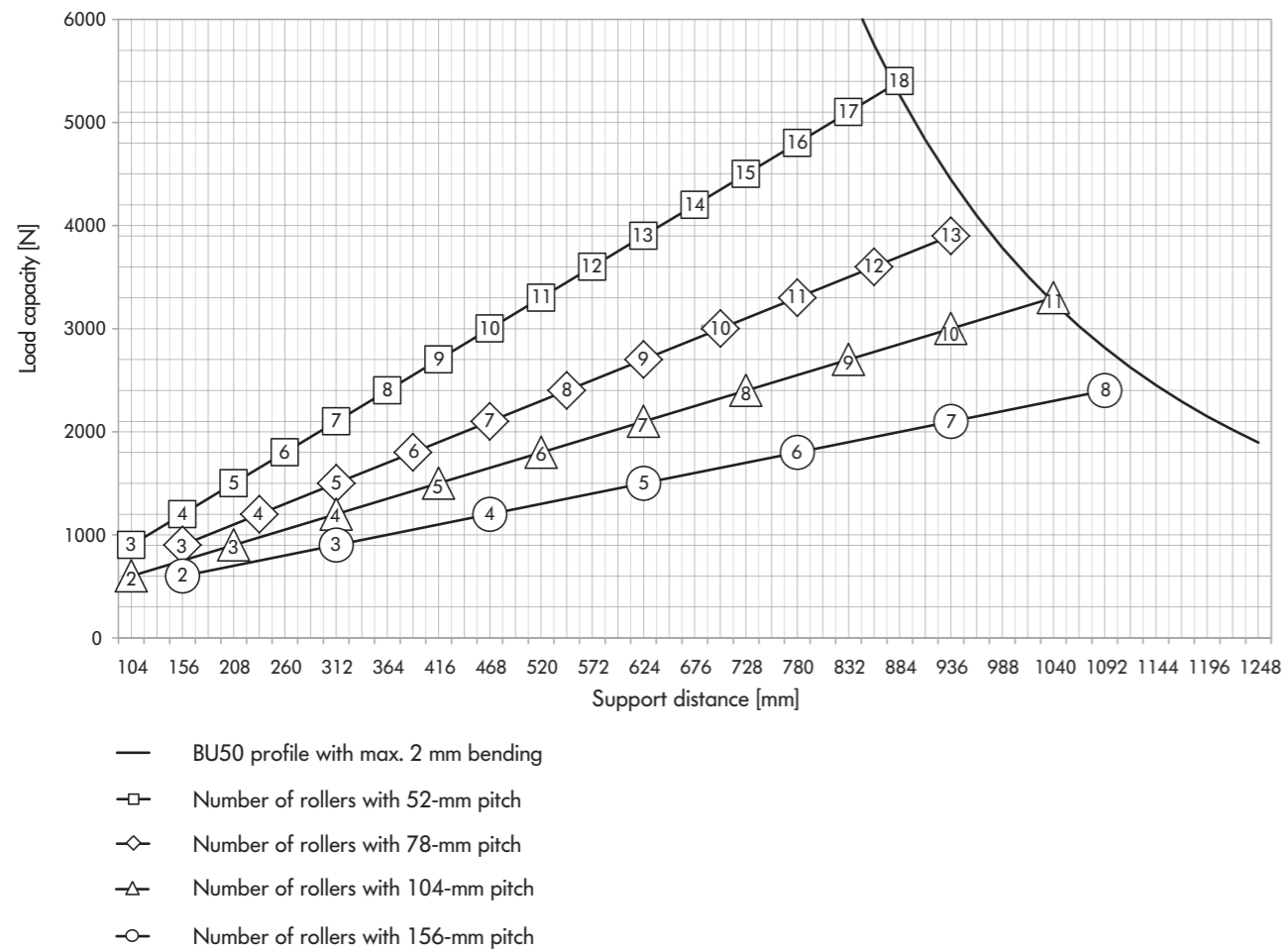


Fig.: Roller track with polymer rollers

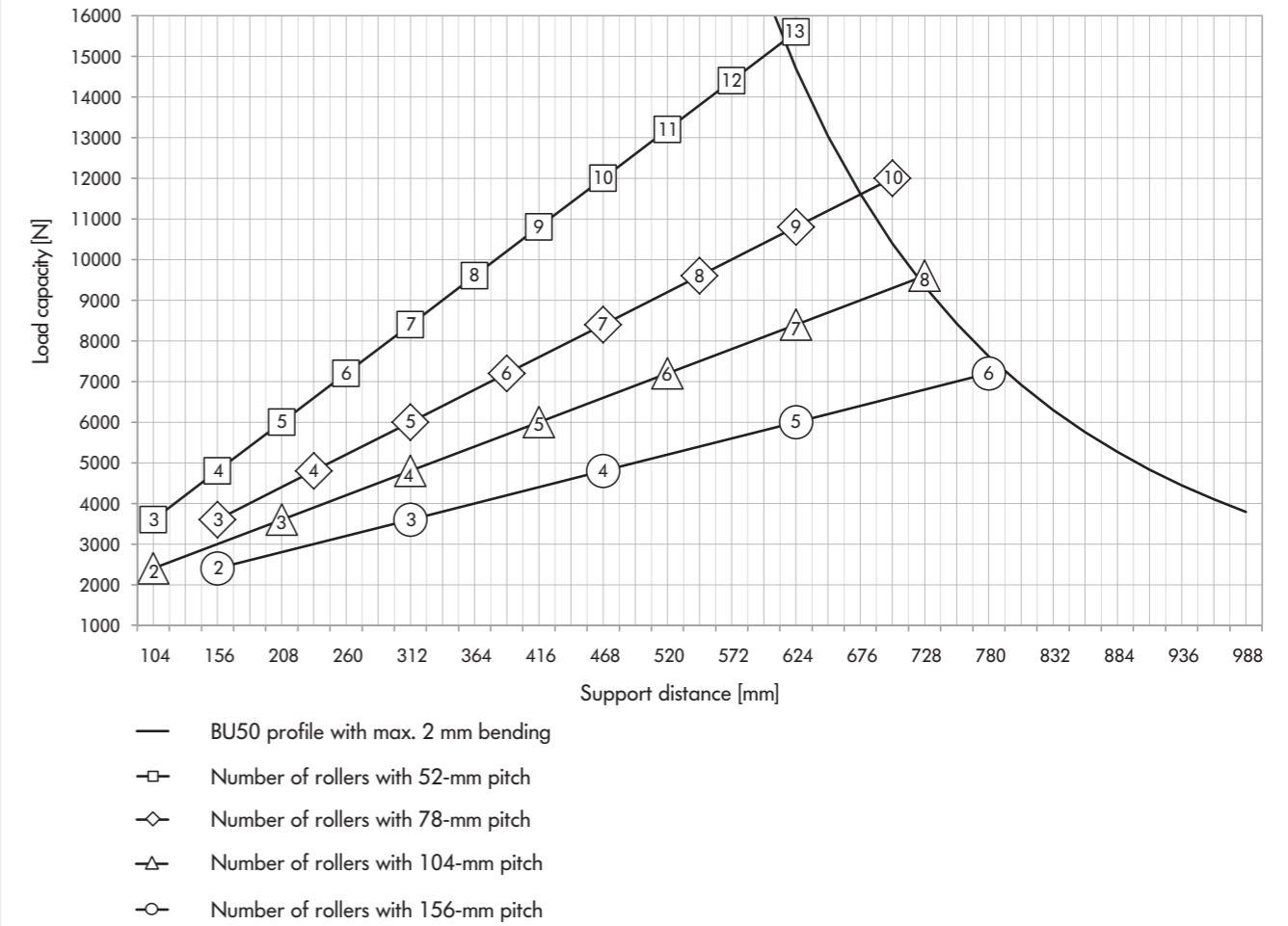


Fig.: Roller track with steel rollers

CONVEYOR ACCESSORIES SERIES BU50

Roller track



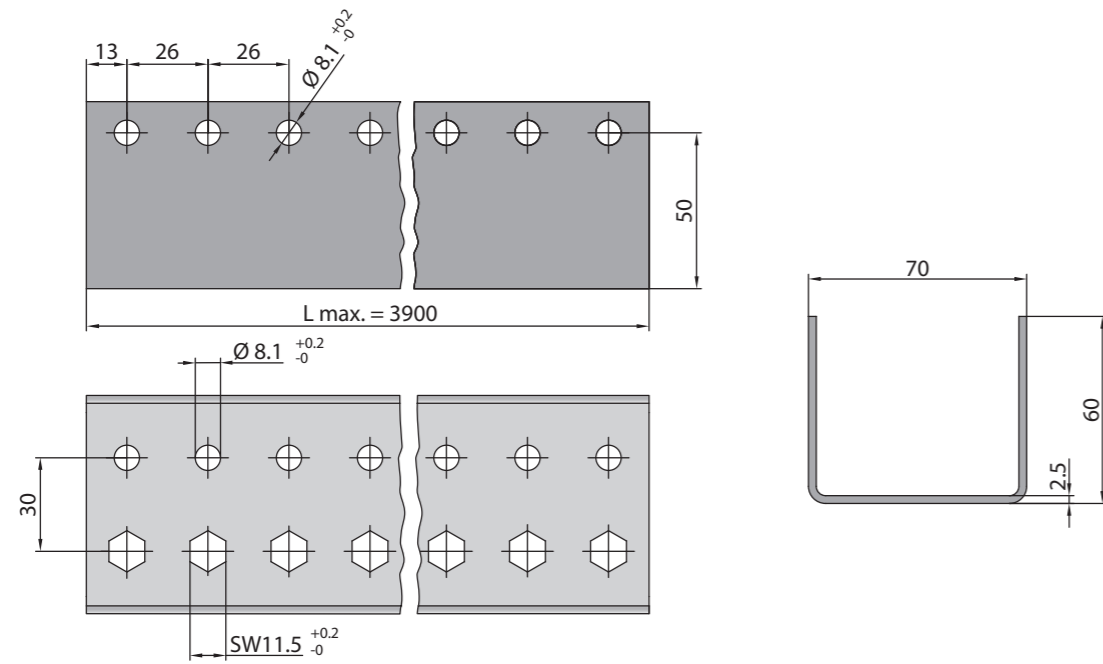
CONVEYOR ACCESSORIES SERIES BU50

Roller track



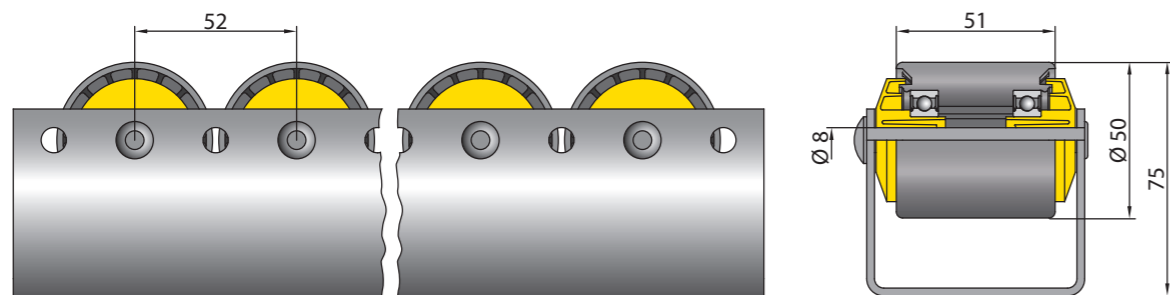
Dimensions

Track without roller

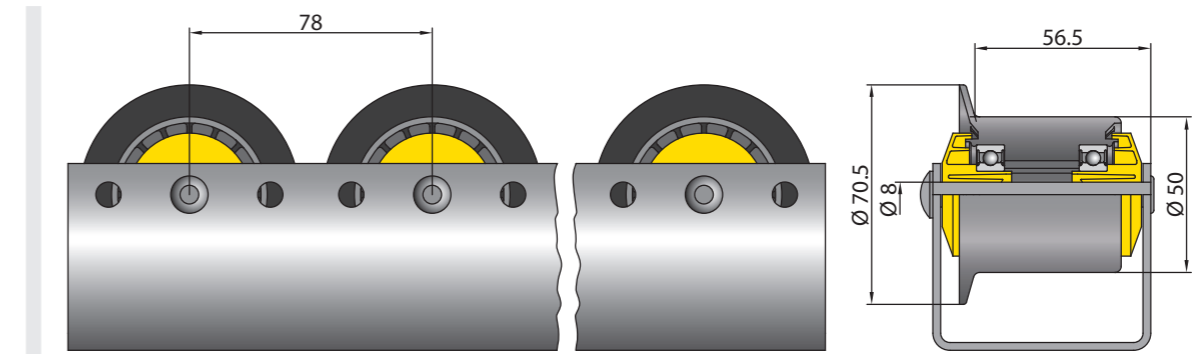


WAF = Width across flats

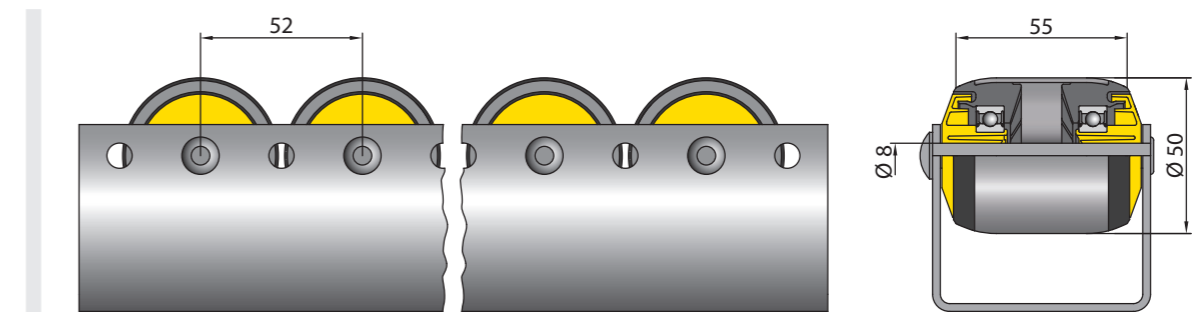
Track with polymer rollers



Track with polymer rollers with flange



Track with steel rollers



General technical information

Rollers | Conveying elements | RollerDrive | Controls | Accessories

Planning basics



Application area

Drive for unit handling conveyor systems, such as transporting cardboards, containers, barrels, workpiece carriers or tires. Suitable for sectional conveyors, roller curves, small belt conveyors and especially zero-pressure accumulation roller conveyors.

Compact design

The motor integrated in the tube allows a very compact design of the conveyor system.

Very energy-efficient

The brushless motor features an energy recovery in braking.

Flexible possible applications

The drive can be used in straight sections and curves and ensures a constant conveying speed. Depending on the application area, PolyVee, round or toothed belts can be used for the transmission of force. Overall, nine gear stages are available. The electronic holding brake (Zero Motion Hold) holds materials in position, even on gravity conveyors, so that the RollerDrive can also be used as a drive in these applications.

Low-noise

The use of decoupling elements achieves particularly low-noise running.

Maintenance-free and installation-friendly

The brushless motor with internal commutation electronics does not require any maintenance. It features an overload protection that prevents damages due to overtemperature or blockage. It is connected securely without complex screw connection by using a motor cable with 5-pin snap-in plug.



Technical data

General technical data	
Mechanical power	32 W (at ambient temperature of 20 °C)
Max. noise emission (mounted)	55 dB(A), application-dependent
Possible static load capacity	350 N – for design with drive head (for PolyVee, round or toothed belt) 1100 N – for design without drive head
Motor shaft	11 mm HEX, thread M12 x 1
Length of motor cable	0.48 m
Electrical data	
Rated voltage	24 V DC
Rated current	Approx. 2 A
Starting current	Approx. 4 A
Protection rate	IP54
Anti-static version	Yes (< 10 ⁶ Ω)
Dimensions	
Tube diameter / wall thickness	50 x 1.5 mm; 51 x 2 mm
Max. reference length	1500 mm
Ambient conditions	
Ambient temperature in operation	0 to +40 °C
Ambient temperature during transport and storage	-30 to +75 °C
Material	
Tube	Stainless steel, zinc-plated steel, chrome-plated steel
Motor shaft	Stainless steel
Tube sleeving	PVC sleeve 2 mm, 5 mm PU sleeve 2 mm Lagging 2 to 5 mm Tapered elements

HEX = hexagon

The actual current flow depends on the application conditions, such as material weight, number of connected conveyor rollers, etc.

Depending on the design of the RollerDrive, an accessory, e.g. a ribbed nut for fastening on the cable side, is supplied. A delivery without accessory is possible on request.



Design versions

Gear ratio	Max. conveyor speed [m/s]	Rated torque [Nm]	Startup torque [Nm]	Zero motion hold [Nm]
9 : 1	1.75	0.45	1.10	0.36
12 : 1	1.31	0.61	1.46	0.48
16 : 1	0.98	0.81	1.95	0.64
20 : 1	0.79	1.01	2.44	0.80
24 : 1	0.65	1.21	2.92	0.96
36 : 1	0.44	1.82	4.38	1.44
48 : 1	0.33	2.42	5.85	1.92
64 : 1	0.25	3.23	7.80	2.56
96 : 1	0.16	4.84	11.69	3.84

Before the run-in, the values may differ up to $\pm 20\%$. After a run-in phase, the values vary only in the range of $\pm 10\%$ for 95 % of all RollerDrive used.

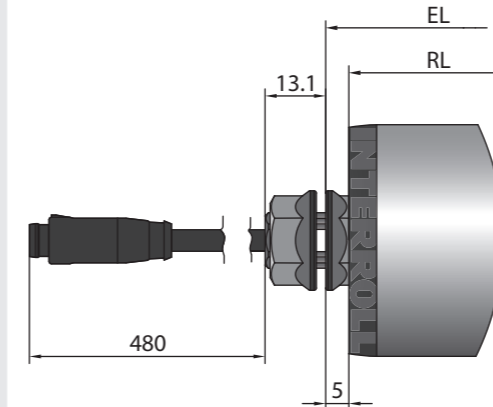
Dimensions

The minimum reference length depends on the gear box variant, the grooves in the tube and the drive or the bearing assembly. A sufficient axial play is already taken into account, so that the actual lane width between side profiles is required. When using the tapered hexagon spring shaft, it must be ensured that the design of the axial play is not too high. If the RollerDrive selected is too short, the shaft may have play in the hexagon hole. A hexagon hole with a size of at least 11.2 mm is recommended. If the RollerDrive is installed obliquely, the hole must be designed larger accordingly.

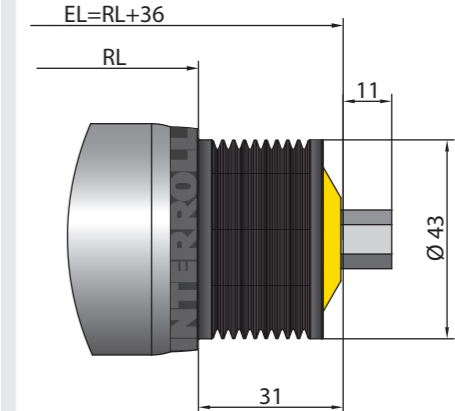
Ordering dimensions for tube sleeves starting at page 31
Tool for installing the RollerDrive starting at page 240

- RL = Reference length / ordering length
- EL = Installation length, inside diameter between side profiles

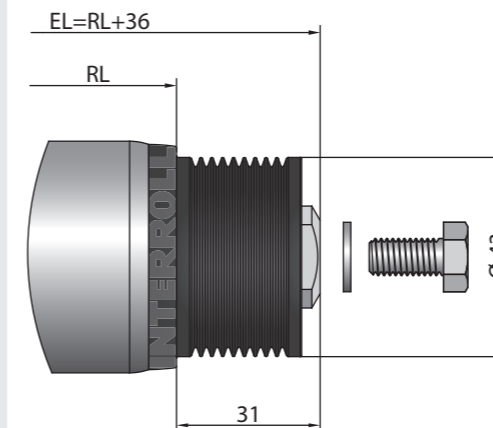
Design in protection rating IP54



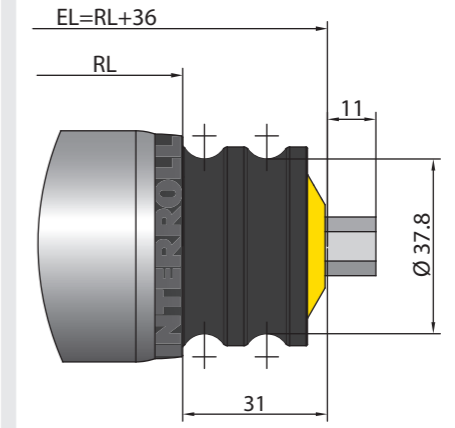
PolyVee drive head with 11 mm hexagon spring shaft



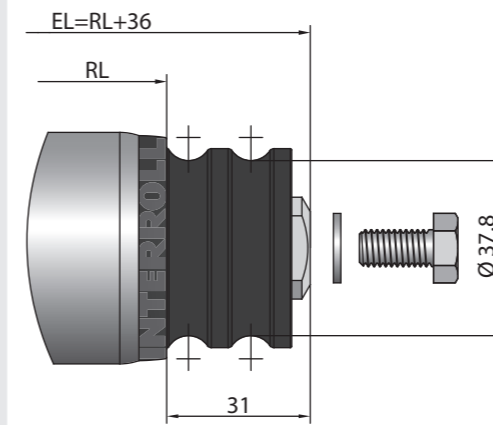
PolyVee drive head with M8 female thread fastening



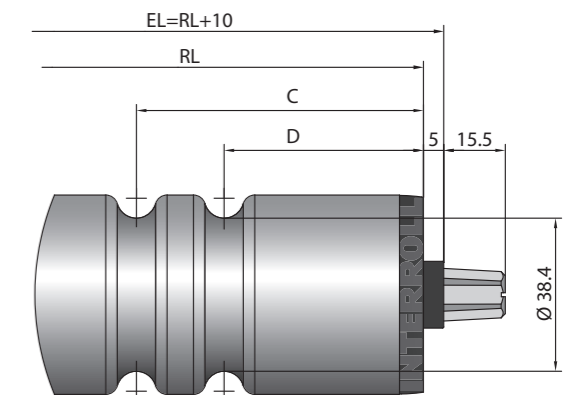
Round belt drive head with 11 mm hexagon spring shaft



Round belt drive head with M8 female thread fastening



2 grooves and tapered hexagon spring shaft

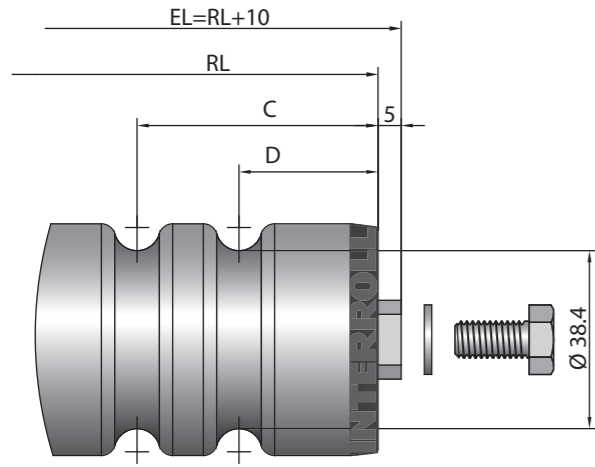


ROLLERDRIVE SERIES EC310

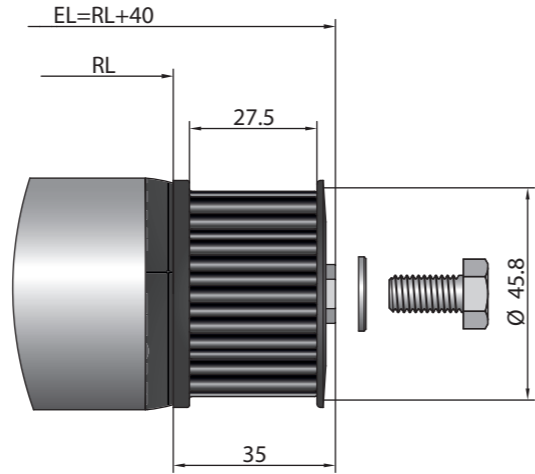
RollerDrive



2 grooves and M8 female thread fastening

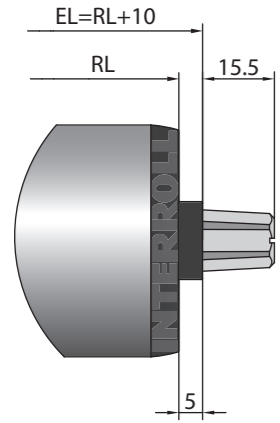


Toothed belt drive head with M8 female thread fastening

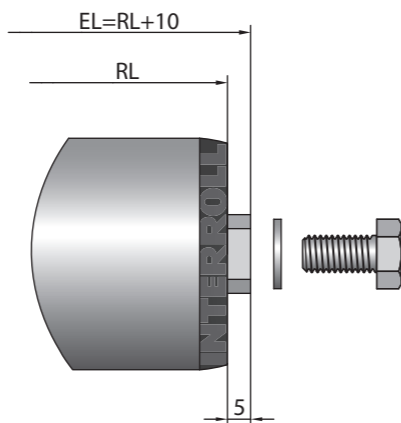


Interroll recommends a max. belt width of 12 mm and a poly chain GT gearing.

Tapered hexagon spring shaft



M8 female thread fastening



ROLLERDRIVE SERIES EC310 DF

RollerDrive for freezer applications



Application area

Drive for unit handling conveyor systems, such as transporting cardboards, containers, barrels or workpiece carriers. Suitable for sectional conveyors, roller curves and especially zero-pressure accumulation roller conveyors in the freezer area.

Compact design

The motor integrated in the tube allows a very compact design of the conveyor system.

Very energy-efficient

The brushless motor features an energy recovery in braking.

Flexible possible applications

The drive can be used in straight sections and curves and ensures a constant conveying speed. Depending on the application area, PolyVee or round belts can be used for the transmission of force. Overall, four gear stages are available. The electronic holding brake (Zero Motion Hold) holds materials in position, even on gravity conveyors, so that the RollerDrive can also be used as a drive in these applications.

Low-noise

The use of decoupling elements achieves particularly low-noise running.

Maintenance-free and installation-friendly

The brushless motor with internal commutation electronics does not require any maintenance. It features an overload protection that prevents damages due to overtemperature or blockage. It is connected securely without complex screw connection by using a motor cable with 5-pin snap-in plug.

Safe for use in freezer area

Different measures, such as a specifically greased gear box, render this RollerDrive perfect for use under freezer conditions.



ROLLERDRIVE SERIES EC310 DF

RollerDrive for freezer applications



Technical data

General technical data	
Mechanical power	32 W
Max. noise emission (mounted)	55 dB(A), application-dependent
Possible static load capacity	350 N – for design with drive head (for PolyVee and round belt) 1100 N – for design without drive head
Motor shaft	11 mm HEX, thread M12 x 1
Length of motor cable	0.48 m
Electrical data	
Rated voltage	24 V DC
Rated current	Approx. 2 A
Starting current	Approx. 4 A
Protection rate	IP54
Anti-static version	Yes (< 10 ⁶ Ω)
Dimensions	
Tube diameter / wall thickness	50 x 1.5 mm; 51 x 2 mm
Max. reference length	1500 mm
Ambient conditions	
Ambient temperature in operation	-30 °C to 0 °C
Ambient temperature during transport and storage	-30 °C to +75 °C
Material	
Tube	Stainless steel, zinc-plated steel, chrome-plated steel
Motor shaft	Stainless steel
Tube sleeving	PVC sleeve 2 mm, 5 mm PU sleeve 2 mm Lagging 2 to 5 mm Tapered elements (gray)

HEX = hexagon

The actual current flow depends on the application conditions, such as material weight, number of connected conveyor rollers, etc.

Depending on the design of the RollerDrive, an accessory, e.g. a ribbed nut for fastening on the cable side, is supplied. A delivery without accessory is possible on request.

For applications in the freezer area, Interroll recommends consulting your Interroll contact person.

ROLLERDRIVE SERIES EC310 DF

RollerDrive for freezer applications



ROLLERDRIVE SERIES EC310 DF

RollerDrive for freezer applications

Design versions

Gear ratio	Max. conveyor speed [m/s]	Rated torque [Nm]	Startup torque [Nm]	Zero motion hold [Nm]
20 : 1	0.79	1.01	2.44	0.80
24 : 1	0.65	1.21	2.92	0.96
36 : 1	0.44	1.82	4.38	1.44
48 : 1	0.33	2.42	5.85	1.92

Before the run-in, the values may differ up to ±20 %. After a run-in phase, the values vary only in the range of ±10 % for 95 % of all RollerDrive used.

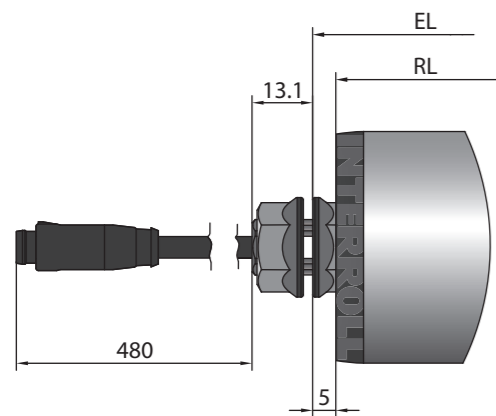
Dimensions

The minimum reference length depends on the gear box variant, the grooves in the tube and the drive or the bearing assembly. A sufficient axial play is already taken into account, so that the actual lane width between side profiles is required. A hexagon hole with a size of at least 11.2 mm is recommended. If the RollerDrive is installed obliquely, the hole must be designed larger accordingly.

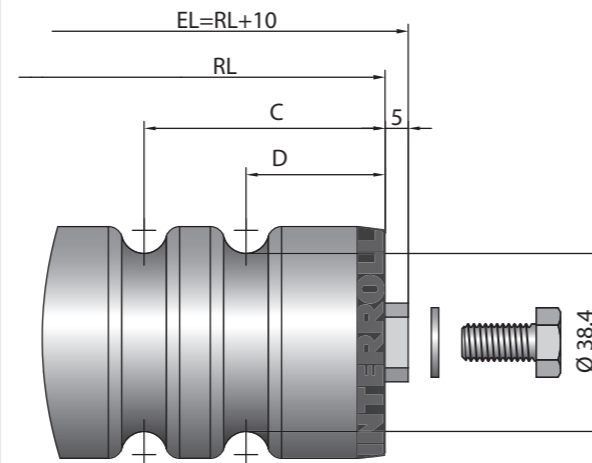
- RL = Reference length / ordering length
- EL = Installation length, inside diameter between side profiles

Ordering dimensions for tube sleeves starting at page 31
Tool for installing the RollerDrive starting at page 240

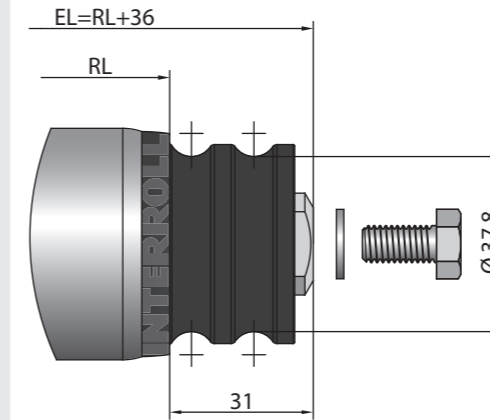
Design in protection rating IP54



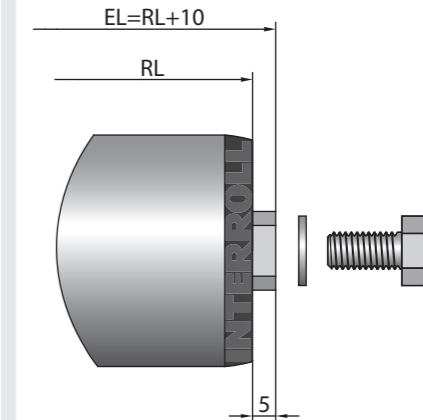
2 grooves and M8 female thread fastening



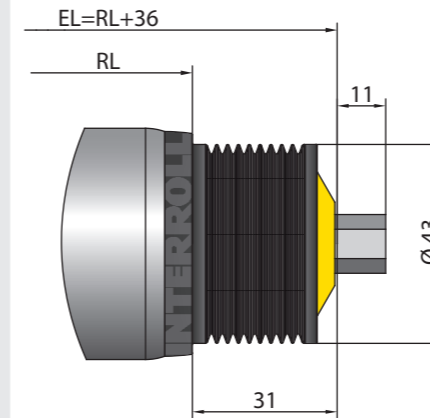
Round belt drive head with M8 female thread fastening



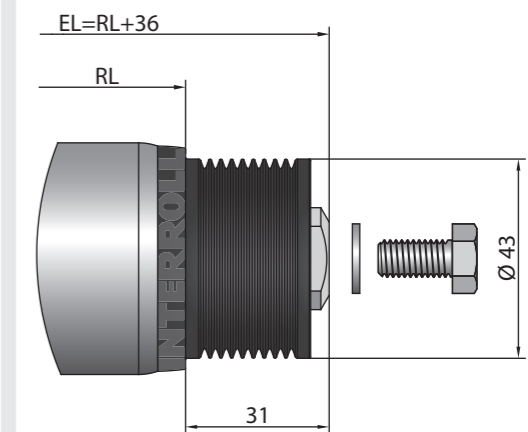
M8 female thread fastening



PolyVee drive head with 11 mm hexagon spring shaft



PolyVee drive head with M8 female thread fastening



ROLLERDRIVE SERIES EC310 IP66

RollerDrive for moist applications



Application area

Drive for unit handling conveyor systems, such as transporting containers or barrels. Suitable for sectional conveyors and especially zero-pressure accumulation roller conveyors that are cleaned with water.

Compact design

The motor integrated in the tube allows a very compact design of the conveyor system.

Very energy-efficient

The brushless motor features an energy recovery in braking.

Flexible possible applications

The drive can be used in straight sections and ensures a constant conveying speed. Depending on the application area, PolyVee or round belts can be used for the transmission of force. Overall, seven gear stages are available. The electronic holding brake (Zero Motion Hold) holds materials in position, even on gravity conveyors, so that the RollerDrive can also be used as a drive in these applications.

Low-noise

The use of decoupling elements achieves particularly low-noise running.

Maintenance-free and installation-friendly

The brushless motor with internal commutation electronics does not require any maintenance. It features an overload protection that prevents damages due to overtemperature or blockage. It is connected securely without complex screw connection by using a motor cable with 5-pin snap-in plug.

High protection rating

By using seals on both sides of the RollerDrive, it achieves a protection rating of IP66 confirmed by an independent lab. As such, it can be used perfectly wherever water is used for cleaning or where wet products are conveyed.



ROLLERDRIVE SERIES EC310 IP66

RollerDrive for moist applications



Technical data

General technical data	
Mechanical power	32 W (at ambient temperature of 20 °C)
Max. noise emission (mounted)	55 dB(A), application-dependent
Possible static load capacity	350 N
Motor shaft	11 mm HEX, thread M12 x 1
Length of motor cable	0.48 m
Electrical data	
Rated voltage	24 V DC
Rated current	Approx. 2 A
Starting current	Approx. 4 A
Protection rate	IP66
Anti-static version	Yes (< 10 ⁶ Ω)
Dimensions	
Tube diameter / wall thickness	50 x 1.5 mm
Max. reference length	1500 mm
Ambient conditions	
Ambient temperature in operation	+5 °C to +40 °C
Ambient temperature during transport and storage	-30 °C to +75 °C
Material	
Tube	Stainless steel
Motor shaft	Stainless steel
Tube sleeving	PVC sleeve 2 mm, 5 mm PU sleeve 2 mm Lagging 2 to 5 mm

HEX = hexagon

The actual current flow depends on the application conditions, such as material weight, number of connected conveyor rollers, etc.

Depending on the design of the RollerDrive, an accessory, e.g. a ribbed nut for fastening on the cable side, is supplied. A delivery without accessory is possible on request.

ROLLERDRIVE SERIES EC310 IP66

RollerDrive for moist applications



ROLLERDRIVE SERIES EC310 IP66

RollerDrive for moist applications

Design versions

Gear ratio	Max. conveyor speed [m/s]	Rated torque [Nm]	Startup torque [Nm]	Zero motion hold [Nm]
16 : 1	0.98	0.81	1.95	0.64
20 : 1	0.79	1.01	2.44	0.80
24 : 1	0.65	1.21	2.92	0.96
36 : 1	0.44	1.82	4.38	1.44
48 : 1	0.33	2.42	5.85	1.92
64 : 1	0.25	3.23	7.80	2.56
96 : 1	0.16	4.84	11.69	3.84

Before the run-in, the values may differ up to $\pm 20\%$. After a run-in phase, the values vary only in the range of $\pm 10\%$ for 95 % of all RollerDrive used.

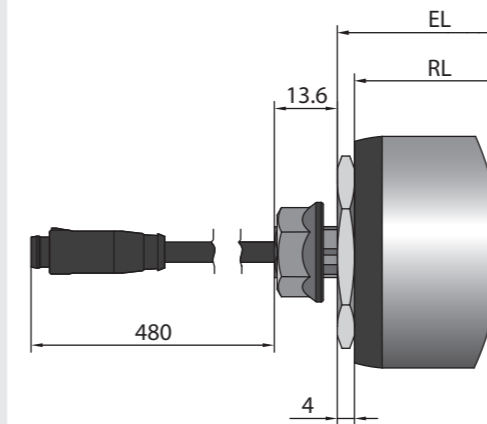
Dimensions

The minimum reference length depends on the gear box variant, the grooves in the tube and the drive or the bearing assembly. A sufficient axial play is already taken into account, so that the actual lane width between side profiles is required. A hexagon hole with a size of at least 11.2 mm is recommended. If the RollerDrive is installed obliquely, the hole must be designed larger accordingly.

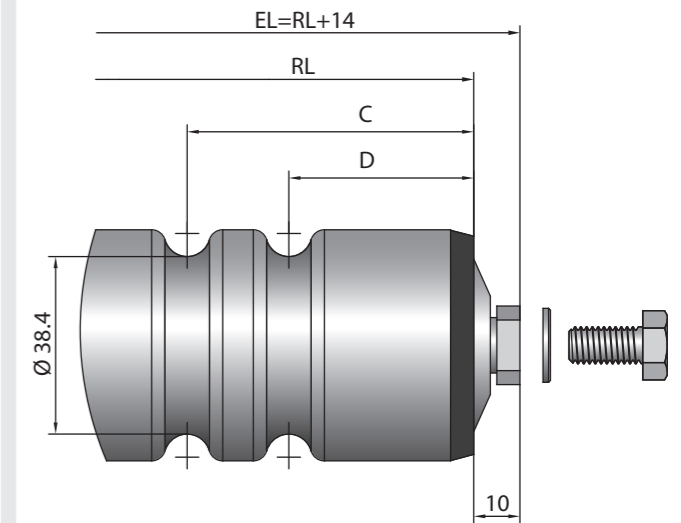
- RL = Reference length / ordering length
- EL = Installation length, inside diameter between side profiles

Ordering dimensions for tube sleeves starting at page 31
Tool for installing the RollerDrive starting at page 240

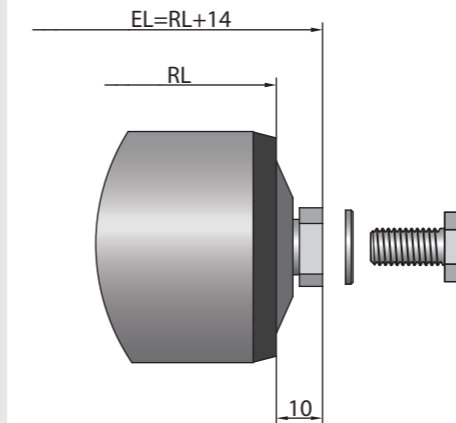
Design in protection rating IP66



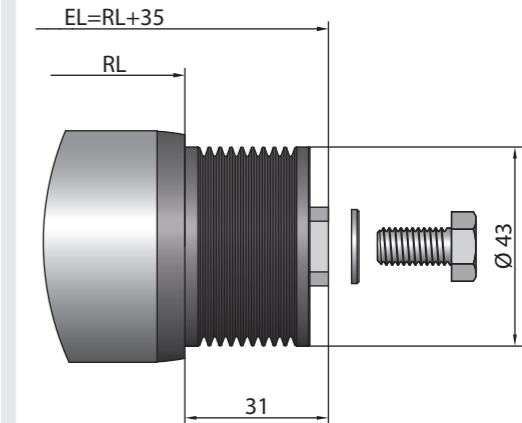
2 grooves and M8 female thread fastening



M8 female thread fastening



PolyVee drive head with M8 female thread fastening



CONTROLS DRIVECONTROL 20

Control for the RollerDrive EC310

CONTROLS DRIVECONTROL 20

Control for the RollerDrive EC310

Application area

Control of RollerDrive EC310 in applications without start-stop operation, e.g. in roller curves. Mechanical engineering applications. Applications with PLC, but without fieldbus. Small applications with max. 10 RollerDrive.

Product description

The DriveControl 20 is a simple control for the RollerDrive EC310. It does not contain any logic (e.g. for zero-pressure accumulation conveying) and requires external signals.

DIP switches can be used to set the direction of rotation, a start and braking ramp and the speed in 15 increments. Digital inputs and outputs serve as interface to a higher-level control. This enables setting the direction of rotation and the speed in 7 increments, e.g. from a PLC. The braking energy of the RollerDrive EC310 is fed back into the 24-V supply system. The voltage fed back from the RollerDrive EC310 is limited at 30 V by means of the integral brake chopper (voltage-dependently switched load resistance).

Functions

- Speed setting (DIP switches 15x, digital input 7x)
- Selection of direction of rotation (via DIP switches or digital input)
- Error signal output
- Status display with LEDs
- Voltage limitation via brake chopper

Technical data

Electrical data	
Rated voltage	24 V DC
Temporarily permissible voltage range	19 to 26 V DC
Current consumption*	DriveControl: approx. 0.1 A Rated current per RollerDrive: approx. 2 A Startup current per RollerDrive: approx. 4 A
Fuse	Present, non-replaceable
Protection rate	IP20
Ambient conditions	
Ambient temperature in operation	0 to +40 °C
Ambient temperature during transport and storage	-40 to +80 °C
Max. installation height above sea level**	1000 m
Cable cross-sections	
Power supply	Fine-wired, 1.5 mm ² (AWG 16)
Inputs / outputs (I/O)	Fine-wired, 0.08 to 0.5 mm ² (AWG 28 to 20)

* The effective current in the application depends on the conveyor weight, conveyor speed and number of cycles.

** The installation in systems at an altitude above 1,000 m is possible. However, this can lead to a reduction of the performance values.

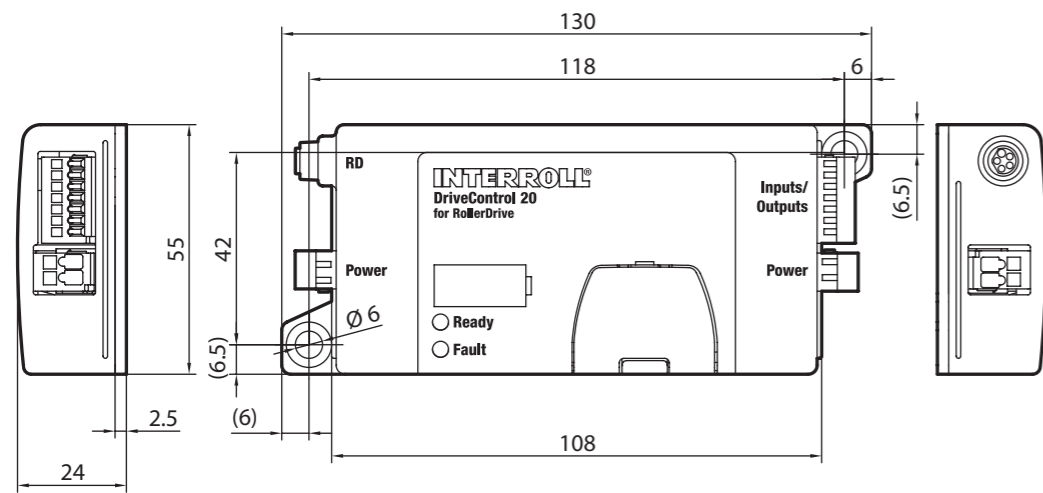


CONTROLS

DRIVECONTROL 20

Control for the RollerDrive EC310

Dimensions



Accessories

- RollerDrive EC310 extension cable, page 240
- PowerControl power supply, page 234

Ordering information

- Article number: S-1001415
- Scope of supply: 2 plugs for voltage supply, 1 plug for inputs and outputs, polymer tool for cabling

CONTROLS DRIVECONTROL 54

Control for the RollerDrive EC310

CONTROLS DRIVECONTROL 54

Control for the RollerDrive EC310



Application area

Control of RollerDrive EC310 in applications without start-stop operation, e.g. in roller curves. Mechanical engineering applications. Applications with PLC, but without fieldbus. Small applications with max. 10 RollerDrive (cabling effort). Applications with anticipated splashing water or sprinkler system. Applications in freezer area.

Product description

The DriveControl 54 is a simple control for the RollerDrive EC310. It does not contain any logic (e.g. for zero-pressure accumulation conveying) and requires external signals. The DriveControl 54 has a protection rating of IP54 and, as a result, is suitable for use in wet environments or freezer conditions.

DIP switches can be used to set the direction of rotation, a start and braking ramp and the speed in 15 increments. Digital inputs and outputs serve as interface to a higher-level control. This enables setting the direction of rotation and the speed in 7 increments, e.g. from a PLC. The braking energy of the RollerDrive EC310 is fed back into the 24-V supply system. The voltage fed back from the RollerDrive EC310 is limited at 30 V by means of the integral brake chopper (voltage-dependently switched load resistance).

Functions

- Speed setting (DIP switches 15x, digital input 7x)
- Selection of direction of rotation (via DIP switches or digital input)
- Error signal output
- Status display with LEDs
- Voltage limitation via brake chopper



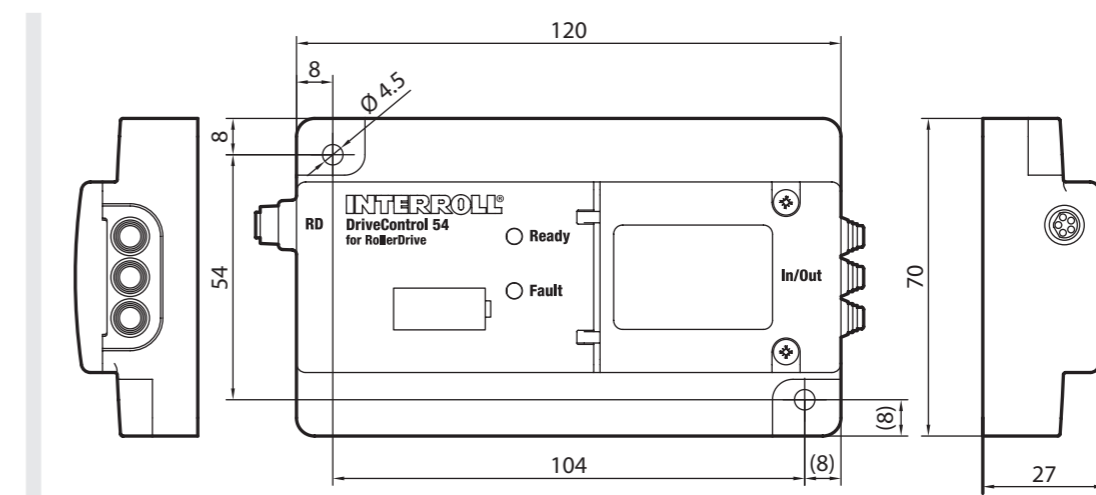
Technical data

Electrical data	
Rated voltage	24 V DC
Temporarily permissible voltage range	19 to 26 V DC
Current consumption*	DriveControl: approx. 0.1 A Rated current per RollerDrive: approx. 2 A Startup current per RollerDrive: approx. 4 A
Fuse	Present, non-replaceable
Protection rate	IP54
Ambient conditions	
Ambient temperature in operation	-28 to +40 °C
Ambient temperature during transport and storage	-40 to +80 °C
Max. installation height above sea level**	1000 m
Cable cross-sections	
Power supply	Fine-wired, 1.5 mm ² (AWG 16)
Inputs / outputs (I/O)	Fine-wired, 0.08 to 0.5 mm ² (AWG 28 to 20)

* The effective current in the application depends on the conveyor weight, conveyor speed and number of cycles.

** The installation in systems at an altitude above 1,000 m is possible. However, this can lead to a reduction of the performance values.

Dimensions



CONTROLS DRIVECONTROL 54

Control for the RollerDrive EC310



Accessories

- RollerDrive EC310 extension cable, page 240
- PowerControl power supply, page 234

Ordering information

Article number: S-1001416



Application area

Zero-pressure accumulation conveying (ZPA) of a few to many zones in applications with or without PLC, but without fieldbus.

Product description

The ZoneControl is a single-zone control for a RollerDrive EC310 and a zone sensor. The ZoneControl can be used to create stand-alone, zero-pressure accumulation conveyors which require no higher-level control (PLC). Additional functions and communication to upstream and downstream conveyors can be implemented via digital inputs and outputs (I/Os).

The advantage is that the ZPA logic is contained in the ZoneControl and does not have to be programmed within a PLC. DIP switches can be used to set the RollerDrive speed and direction of rotation as well as the logic (single or train release). For all ZoneControl connected with each other, the speed can also be changed with an analog signal.

The wiring of the voltage supply is done via switching wire and communication using commercial CAT5 cables (Ethernet cable). The ZoneControl is only partially suited when a tracking of materials or the control of the RollerDrive with start and brake ramps is being planned or a large number of additional functions is to be used.

The ZoneControl shows its strength in the fact that it does not have to be addressed, which makes an exchange in case of a failure extremely easy, and it can easily be configured with DIP switches.



Functions

- Logic for zero-pressure accumulation conveying incl. initialization
- Communication with upstream and downstream zones via peer-to-peer connection
- Speed setting in 8 increments via DIP switches or analog signal
- Direction of rotation setting of RollerDrive via DIP switches or external digital signal
- Connection of a zone sensor
- Connection of a start sensor for the start of the conveyor line
- Determination of NPN or PNP switching logic
- Switching a second RollerDrive into the zone
- Additional functions: Running the conveyor empty, error signaling of all connected zones, external start or stop signal
- Voltage limitation via brake chopper

Technical data

Electrical data	
Rated voltage	24 V DC
Temporarily permissible voltage range	19 to 26 V DC
Current consumption*	ZoneControl with sensor: approx. 0.2 A Rated current per RollerDrive: approx. 2 A Startup current per RollerDrive: approx. 4 A
Fuse	Present, non-replaceable
Protection rate	IP20
Ambient conditions	
Ambient temperature in operation	0 to +40 °C
Ambient temperature during transport and storage	-40 to +80 °C
Max. installation height above sea level**	1000 m
Cable cross-sections	
Power supply	Fine-wired, 1.5 mm ² (AWG 16)
Inputs / outputs (I/O)	Fine-wired, 0.08 to 0.5 mm ² (AWG 28 to 20)

* The effective current in the application depends on the conveyor weight, conveyor speed and number of cycles.

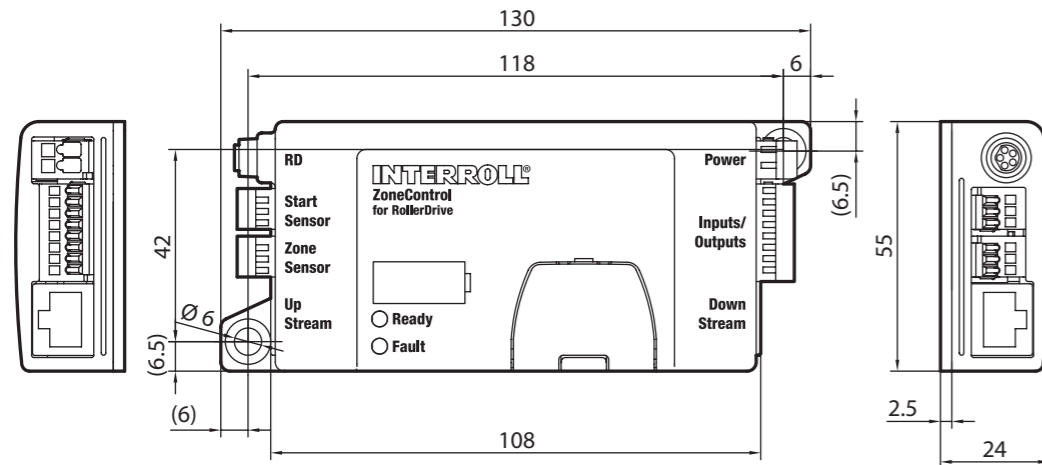
** The installation in systems at an altitude above 1,000 m is possible. However, this can lead to a reduction of the performance values.

CONTROLS

ZONECONTROL

ZPA control for the RollerDrive EC310

Dimensions



Accessories

- RollerDrive EC310 extension cable, page 240
- Interroll PowerControl power supply, page 234

Ordering information

- Article number: S-1004023
- Scope of supply: Plug for voltage supply, plug for inputs and outputs, one plug each for start and zone sensor, polymer tool for cabling

Application area

With CentralControl:
zero-pressure accumulation conveying (ZPA) of many zones without connected PLC. Or ZPA with input from a PLC connected via digital inputs and outputs.

With GatewayControl:
zero-pressure accumulation conveying (ZPA) of many zones with input from a PLC connected via fieldbus. Or universal control (not just ZPA) with PLC connected via fieldbus.

Product description

The ConveyorControl system includes the GatewayControl, the CentralControl, the SegmentControl and the ComControl (page 225).

Cost-efficient, commercially available flat cables are used for wiring the communication and voltage. All settings are made with a Windows-based software – the Configurator. The software simplifies addressing and enables GUI-supported parameter setting of up to 200 RollerDrive and sensors simultaneously. The configuration of an existing application can be read out from the controls and changed as needed.

The advantage is that the ZPA logic is included and does not have to be programmed within a PLC. The ConveyorControl system allows tracking materials and offers a large number of setting options and additional functions.

Functions

- Logic for zero-pressure accumulation conveying incl. initialization
- Communication via bus system
- Configurator allows the setting of (individually, in groups or all nodes):
 - Speed, direction of rotation, start and stop ramp of RollerDrive
 - Sensor properties
 - Timer
 - Error handling
 - Logic for single / train release
- Status display with LEDs
- Additional functions:
 - Running the conveyor empty
 - External start or stop signal
- Interface to PROFIBUS, PROFINET or EtherNet / IP
- Voltage limitation via brake chopper
- Plug & Play in case of replacements – no addressing or configuration required



Possible applications

Use of a PLC	Recommended products	Description
No	CentralControl, SegmentControl, ComControl	ConveyorControl uses its own ZPA logic A start sensor can be connected to the ComControl
Yes, no fieldbus	CentralControl, SegmentControl, ComControl	ConveyorControl uses its own ZPA logic Wherever a PLC has to be effective, a ComControl is placed for the communication to the PLC via digital inputs / outputs
Yes, communication via PROFIBUS, PROFINET or EtherNet / IP	GatewayControl and SegmentControl	ConveyorControl uses its own ZPA logic <ul style="list-style-type: none"> • PLC receives the status of all sensors, RollerDrive and error information, if applicable, via the bus • PLC takes effect via corresponding control commands Pure PLC control <ul style="list-style-type: none"> • ZPA logic or any other logic must be programmed by the PLC • PLC receives the status of all sensors, RollerDrive and error information, if applicable, via the bus

Technical data

The technical data apply to all controls of the ConveyorControl system.

Electrical data	
Rated voltage	24 V DC
Temporarily permissible voltage range	19 to 26 V DC
Current consumption*	CentralControl / GatewayControl: approx. 0.15 A SegmentControl / ComControl: approx. 0.05 A + connected sensors and actuators Rated current per RollerDrive: approx. 2 A Startup current per RollerDrive: approx. 4 A
Fuse	Present, non-replaceable
Protection rate	IP54
Ambient conditions	
Ambient temperature in operation	-28 to +40 °C
Ambient temperature during transport and storage	-40 to +85 °C
Max. installation height above sea level**	1000 m

* The effective current in the application depends on the conveyor weight, conveyor speed and number of cycles.

** The installation in systems at an altitude above 1,000 m is possible. However, this can lead to a reduction of the performance values.

CONTROLS CONVEYORCONTROL

ZPA contro system for the RollerDrive EC310

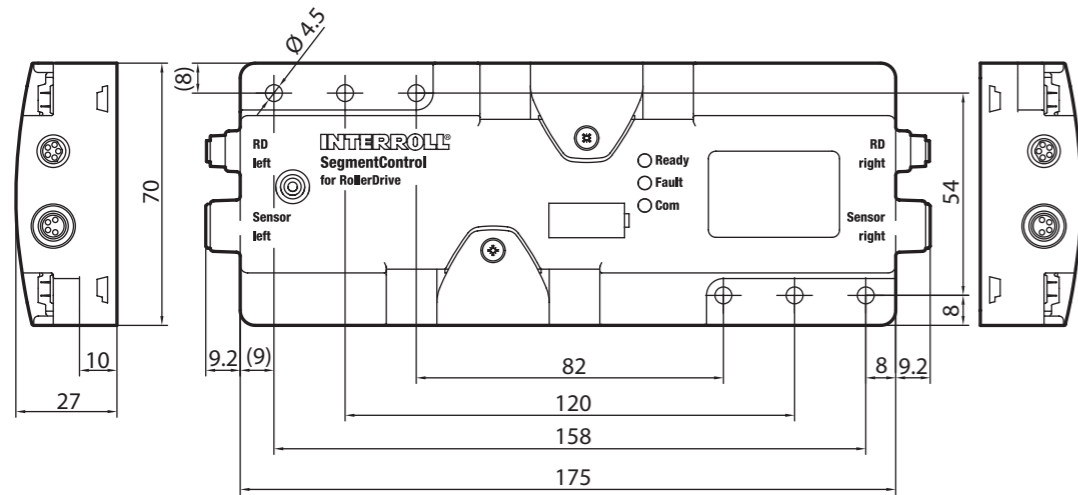
CONTROLS CONVEYORCONTROL

ZPA contro system for the RollerDrive EC310

SegmentControl

The SegmentControl is used in every ConveyorControl system. It controls up to two zones of a conveyor. Each zone consists of a RollerDrive EC310, several conveyor rollers, and a zone sensor. Additional inputs and outputs are not available.

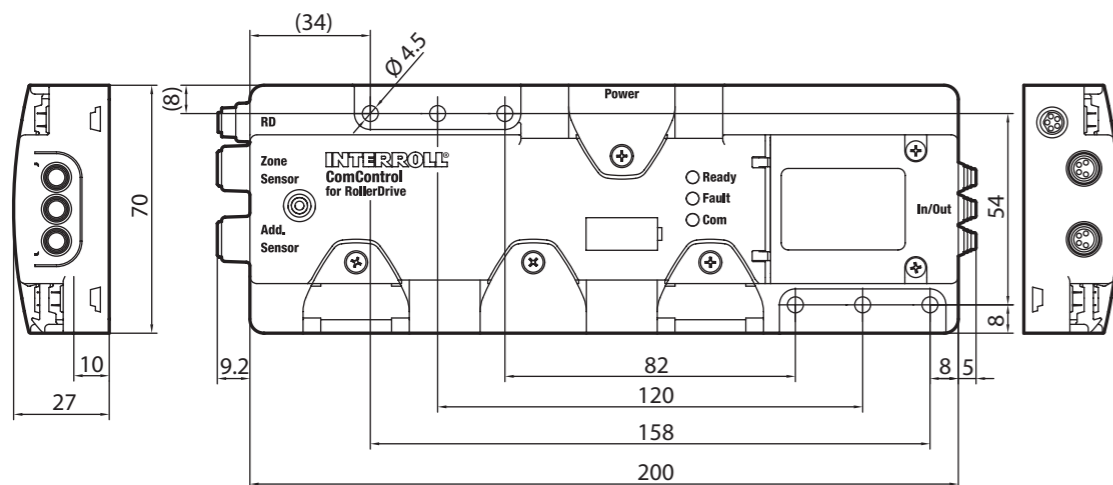
Dimensions



ComControl

The ComControl controls a zone (RollerDrive and zone sensor). The ComControl is used if inputs or outputs are required or an additional line of the communication cable must be branched off. For this purpose, it features two additional inputs, three additional outputs and one additional connection for the communication cable (right or left). One or several ComControl are generally used when a CentralControl is being used so that it is not possible to activate additional functions with a bit.

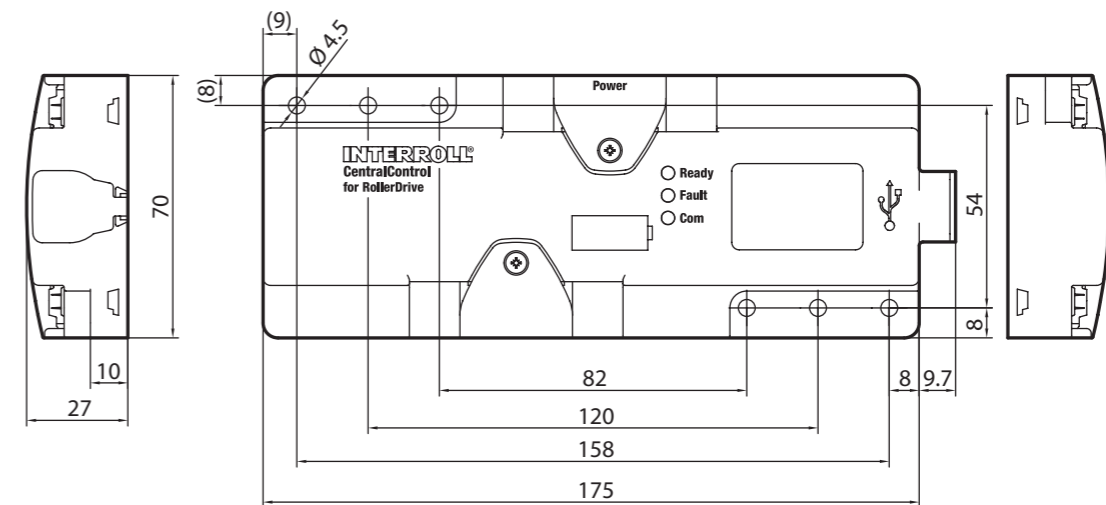
Dimensions



CentralControl

The ConveyorControl system requires either a CentralControl or a GatewayControl. CentralControl controls the data exchange between the controls. A USB port allows the connection of a printer. With the help of the computer and the configuration software, all controls can be addressed and parameterized. Up to 100 SegmentControls or ComControls, that is, approximately 200 zones, can be connected to one CentralControl.

Dimensions



CONTROLS CONVEYORCONTROL

ZPA contro system for the RollerDrive EC310

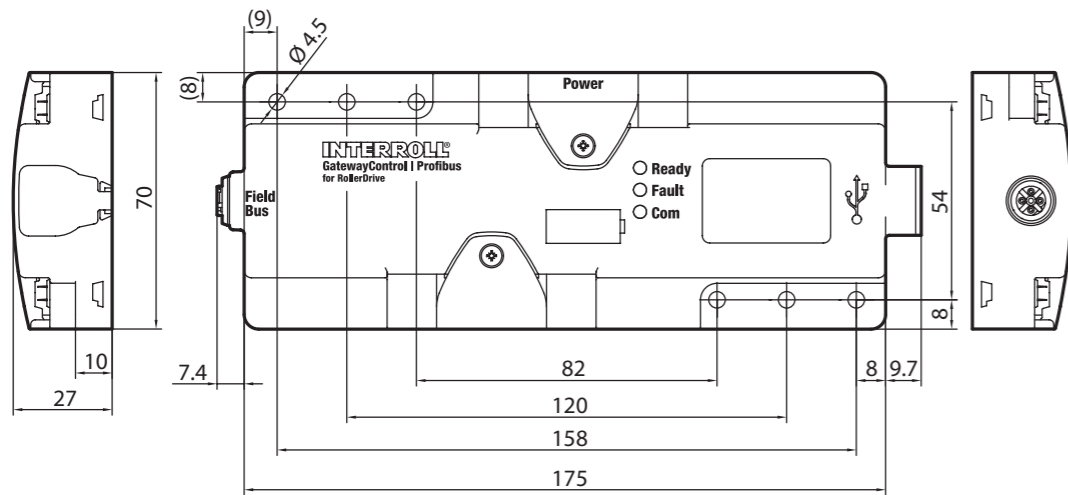
CONTROLS CONVEYORCONTROL

ZPA contro system for the RollerDrive EC310

GatewayControl

The ConveyorControl system requires either a GatewayControl or a CentralControl. GatewayControl controls the data exchange between the controls. A USB port allows the connection of a printer. With the help of the computer and the configuration software, all controls can be addressed and parameterized. Up to 100 controls, that is, approximately 200 zones, can be connected to one GatewayControl. But the crucial difference to the CentralConsole is the interface function to a fieldbus via an M12 connector. For the fieldbuses PROFIBUS, PROFINET and EtherNet / IP, the GatewayControl enables the connection to a PLC.

Dimensions



Accessories

- RollerDrive EC310 extension cable, page 240
- PowerControl power supply, page 234
- Magnetic key, page 245
- Flat cable for voltage supply, page 241
- ConveyorControl communication cable, page 241
- ConveyorControl termination box, page 244
- Cable bridge for flat cable, page 243

Ordering information

Control	Article number	Scope of delivery
GatewayControl PROFIBUS	S-1004026	USB stick with Configurator software; dummy plug for flat cable; magnetic key, termination box
GatewayControl PROFINET	S-1100275	USB stick with Configurator software; dummy plug for flat cable; magnetic key, termination box
GatewayControl EtherNet / IP	S-1101732	USB stick with Configurator software; dummy plug for flat cable; magnetic key, termination box
CentralControl	S-1004027	USB stick with Configurator software; dummy plug for flat cable; magnetic key, termination box
SegmentControl	S-1004024	Dummy plug for flat cable, one RollerDrive input and one sensor input
ComControl	S-1004025	Dummy plug for flat cable and one sensor input; two flat cable pieces



Application area

Zero-pressure accumulation conveying (ZPA) of many zones. Control of the Interroll Transfer and High Performance Divert as well as Interroll Pallet Drive (via Pallet Control). Control of RollerDrive EC310 in applications without zero-pressure accumulation conveying.

Product description

The MultiControl is a four-zone control. This means that up to four RollerDrive EC310 and four zone sensors can be connected. The use of Y-lines enables connecting four additional inputs or outputs. The connections can be configured individually.

MultiControl is multi-protocol-capable. PROFINET, EtherNet / IP and EtherCat can be used via simple switching.

With help of the MultiControl, sensors and RollerDrive are directly integrated into the field bus level. An additional sensor / actuator level and, as a result, additional communication lines become redundant. A standard flat cable is used for power supply. The flat cables can be cut to the correct length and can be connected very quickly using the penetration technology of MultiControl.

The separate voltage supply allows a safe switch-off of the RollerDrive while the bus communication and sensors can continue to be used.

The addressing and naming is done over PLC software, a web user interface, or with the Interroll Teach-In method. With the Teach-In method, automatic addressing and configuration of all MultiControl is possible. In addition, the sequence of all MultiControls in the conveyor line can be determined. This saves time during the commissioning on site.



Functions

- Easy handling – One controller card for PROFINET, EtherNet / IP and EtherCat (simple toggling of bus protocols)
- Independent power supply for RollerDrive
- Plug & Play in case of replacements – no addressing or configuration required
- Status display with LEDs for all functions and I/Os
- Integrated logic for zero-pressure accumulation conveying incl. initialization
- Secure communication with the use of certificates: PROFINET Conformance Class B, EtherNet / IP ODVA Conformance, EtherCat Conformance
- Configuration via PLC, web browser menu and via Teach-In method of:
 - Speed, direction of rotation, start and stop ramp of RollerDrive
 - Sensor properties
 - Timer
 - Error handling
 - Logic (single / train release)
- UL-listed
- Voltage limitation via brake chopper
- Variable process images for optimizing the data volumes transferred between MultiControl and SPC.
- Ground connection point for communication line
- Polarity reversal protection of voltage supply
- Short circuit-proof design of voltage supply of inputs and outputs

Possible applications

Use of a PLC	Function of a PLC	Function of MultiControl
No	<ul style="list-style-type: none"> • None 	<ul style="list-style-type: none"> • Implementation of ZPA logic
Yes	<ul style="list-style-type: none"> • Influencing the ZPA logic • Tracking of materials • Error diagnostics 	<ul style="list-style-type: none"> • Implementation of own ZPA logic • Implementation of PLC specifications
Yes	<ul style="list-style-type: none"> • The PLC must be programmed and controls all connected RollerDrive via this program • Tracking of materials and error diagnostics 	<ul style="list-style-type: none"> • Function as I/O device • Transmits the status of all sensors, RollerDrive and, if necessary, error information to the PLC

Technical data

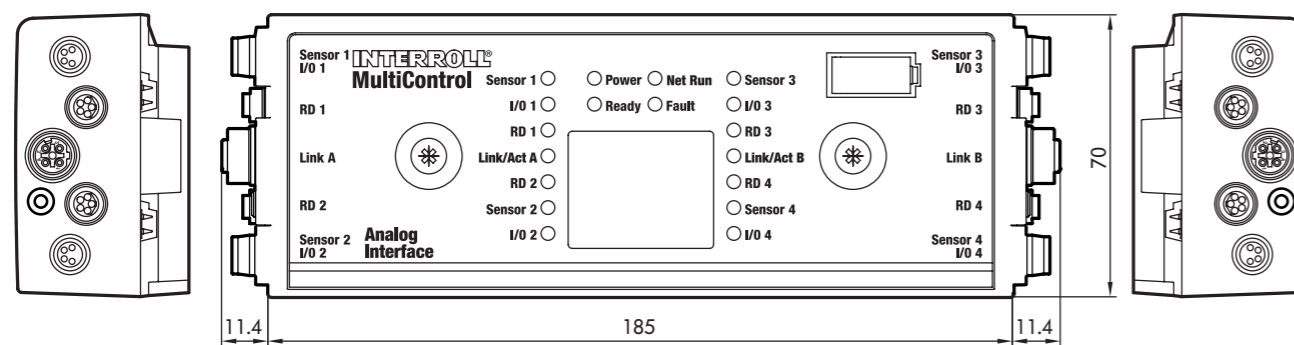
Electrical data	
Rated voltage	24 V DC
Temporarily permissible voltage range	22.8 to 25.2 V DC
Current consumption*	Logic supply voltage: MultiControl: max. 0.2 A + connected sensors / actuators = max. 1.6 A Motor supply voltage: RollerDrive rated current: 4 x 2 A = 8 A RollerDrive startup current: 4 x 4 A = 16 A
Fuse	Present, non-replaceable
Protection rate	IP54
Ambient conditions	
Ambient temperature in operation	-30 °C to +40 °C
Ambient temperature during transport and storage	-40 °C to +80 °C
Max. installation height above sea level**	1000 m

* The effective current in the application depends on the conveyor weight, conveyor speed and number of cycles.

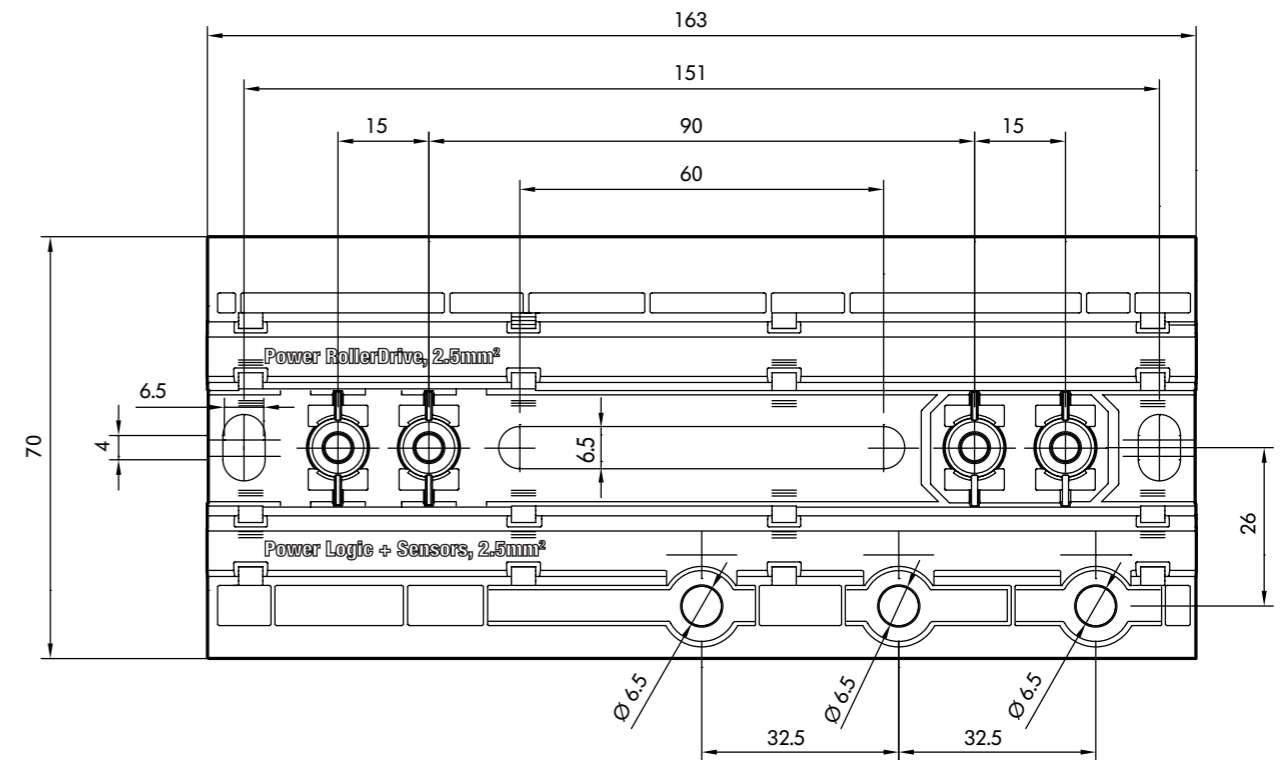
** The installation in systems at an altitude above 1,000 m is possible. However, this can lead to a reduction of the performance values.

Dimensions

MultiControl



Base plate



To be able to position the magnetic key, the distance from the top edge of MultiControl to adjacent components must be at least 10 mm.

Accessories

- Flat cable for voltage supply, page 241
- Magnetic key, page 245
- MultiControl dummy plug, page 243
- RollerDrive EC310 extension cable, page 240
- MultiControl communication cable, page 242
- MultiControl Y-cable, page 242
- PowerControl power supply, page 234
- Cable distribution, page 242
- Shield connection cable, page 243

Ordering information

- Article number: S-1103563
- Scope of supply: Base plate
- Questions about spare parts or additions: It is required to provide the existing firmware version.



Application area

Voltage supply of MultiControl or ConveyorControl system via flat cable. Voltage supply of DriveControl or ZoneControl via round cable.

Product description

The PowerControl is a 3-phase power supply (400 V AC) in an IP54 housing for providing the 24-V DC system voltage. The power supply is perfectly adjusted to the current requirements of the RollerDrive EC310. For up to four seconds, the power supply furnishes a current of 30 A. Hence, the power supply facilitates the simultaneous starting of multiple RollerDrive.

The power supply is designed for decentral use. It does not have to be integrated in a costly switch cabinet and can be fastened directly on the side profile of the conveyor. Cable can be saved by placing it in the vicinity of the RollerDrive control. Thanks to the short cables, problems due to cable voltage losses are minimized. Two connections are available for the primary side so that the voltage for the next PowerControl can be looped through.

Properties

- No installation in switch cabinet required
- Self-protection against overload, feedback, short circuit and load drop
- System compatible due to low cold start current (inrush) and active power factor correction
- No power reduction (derating) over the entire operating temperature range of the Interroll controls
- Multiple terminal points on mains and load side; no special or expensive connector required
- Cable entry via M20 fittings including seals
- Maintenance-free



Technical data

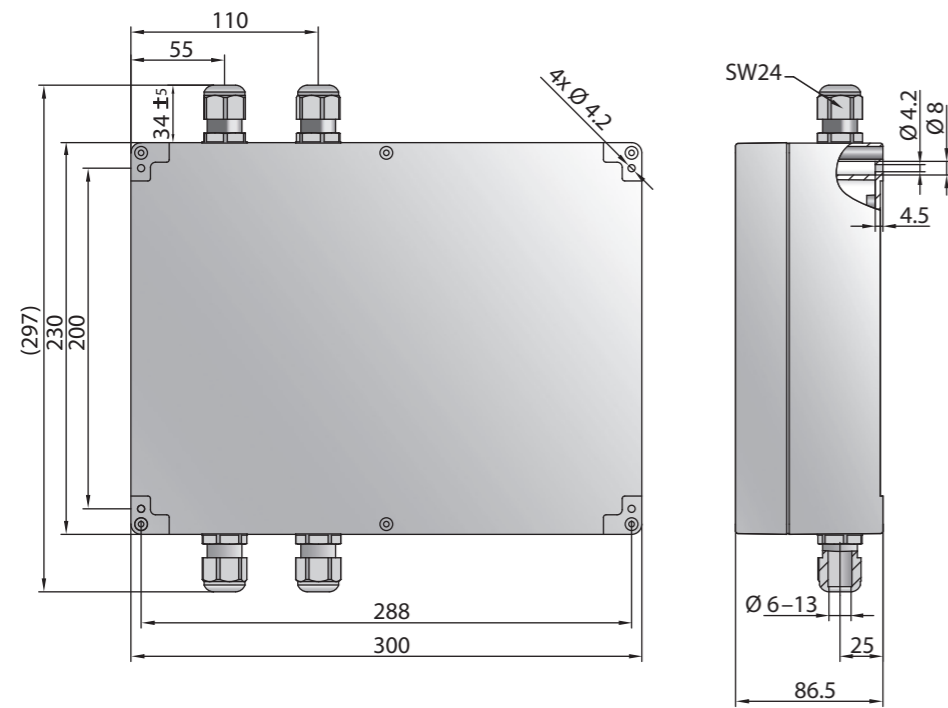
Electrical data	
Rated supply voltage	400 V AC, 3 phases
Supply system voltage range	380 to 480 V AC \pm 15 %
Supply system frequency	50 to 60 Hz \pm 6 %
Supply system power consumption	Typically 0.8 A per phase at 3 x 400 V AC
Supply system cold start, inrush	Typically 3 A at 400 V
Rated output voltage	24 V DC
Rated output power	480 W
Rated peak power	Max. 720 W at 24 V DC for 4 s, repetition rate depends on duration and actual peak load
Maximum output current	30 A at 24 V for 4 s
Ripple / noise	100 mVpp, 20 Hz to 20 MHz, 50 Ohm
Feedback resistance	Max. 32 V DC
Short-circuit current	20 A
Protection rate	IP54
Ambient conditions	
Ambient temperature in operation	-30 to +40 °C
Ambient temperature during transport and storage	-40 to +80 °C
Max. installation height above sea level*	1000 m
Miscellaneous data	
Weight	Approx. 2.5 kg
Color	RAL7035 (gray)

* The installation in systems at an altitude above 1,000 m is possible. However, this can lead to a reduction of the performance values.

CONTROLS POWERCONTROL

Power supply for the controls of RollerDrive EC310

Dimensions



Ordering information

- Article number: S-1004029
- Scope of supply: Cable grommet for round and flat cable, dummy plug for a cable grommet each on the primary and secondary side, supplied connecting cable for ground connection of 24-V ground.

PolyVee belt



A PolyVee belt is used for the drive from roller to roller or RollerDrive for straight sections and for curves and is suitable for use with the following series:

- **Series 3500** Fixed drive conveyor roller
- **Series 3500KXO** Tapered fixed drive conveyor roller
- **Series 3800** Friction conveyor roller
- **Series EC310** RollerDrive

Product description

- Elastic standard belt, 1 to 3 % pretension, for fixed shaft distances
- Significantly longer service life than round belts

- Up to 300 % higher torque transmission than with comparable round belts
- Much better efficiency compared to toothed belts since much less flexing work is required
- Curve application: Use of 2-rib or 3-rib belts
- Suitable for normal and freezer temperatures
- Belts are antistatic

Technical data

- Temperature range: -28 to +40 °C
- Color: Black
- Belt acc. to Type PJ; ISO 9981; DIN 7867

Design versions

Number of ribs	Roller pitch ±1 mm	Max. weight of material to be conveyed [kg]	Article number	Belt designation
2	60	50	S-1111211	256
2	75		S-1111217	286
2	90		S-1111220	316
2	100		S-1111222	336
2	120		S-1111224	376
3	60	300	S-1111216	256
3	75		S-1111219	286
3	90		S-1111221	316
3	100		S-1111223	336
3	120		S-1111225	376

PolyVee tensioning device

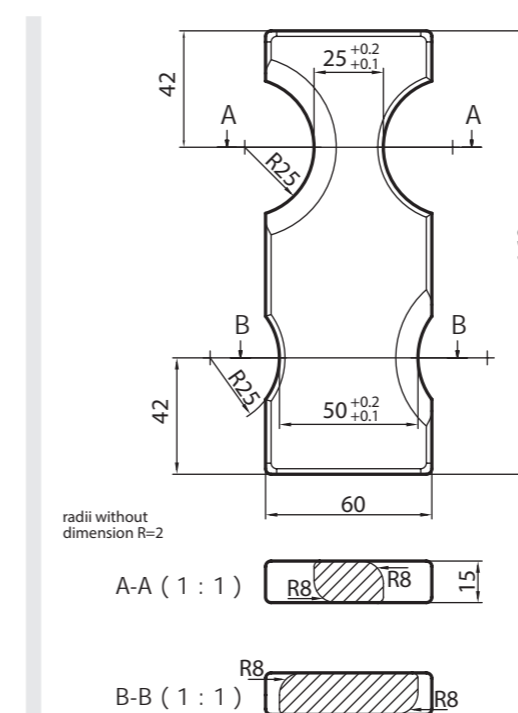


The PolyVee tensioning device enables easy tensioning of 2-rib and 3-rib PolyVee belts and is intended for roller pitches 75 mm and 100 mm. The tensioning device is designed for rollers and RollerDrive with a diameter of 50 mm. It cannot be used for tubes with tube sleeves or tapered elements.

The belt is perfectly tensioned and a roller / RollerDrive is correctly aligned horizontally as well as vertically. Hence, a female threaded shaft aligns with the fastening hole in the side profile.

Article number: S-1101272

Dimensions



PolyVee finger guard



The PolyVee finger guard safely protects against inadvertently reaching between PolyVee belt and roller drive head.

Product benefits

- Quick installation and removal, no screw connections required
- Fits into any side profile, the finger guard sits on the seal of the roller or on the fastening pin of the RollerDrive
- Installation in mechanically finished conveyor systems, can also be retrofitted in existing systems
- Always the right match, the rear panel is designed directly for two belts for quicker installation. The center of rear panel features a predetermined breaking point with which it can easily split in half in case of an uneven number of belts.

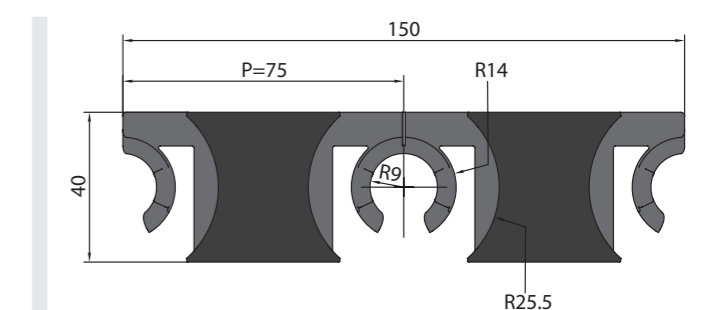
Technical data

- Temperature range: 0 to +40 °C
- Color: Black
- Distance between side frame and seal of roller: min. 0.5 mm; max. 1.5 mm
- Roller pitch: 75 mm and 100 mm

Article number

- Roller pitch 75 mm: S-8863
- Roller pitch 100 mm: S-8864

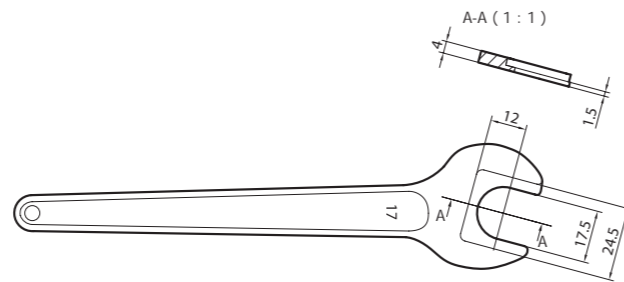
Dimensions



Fastening socket



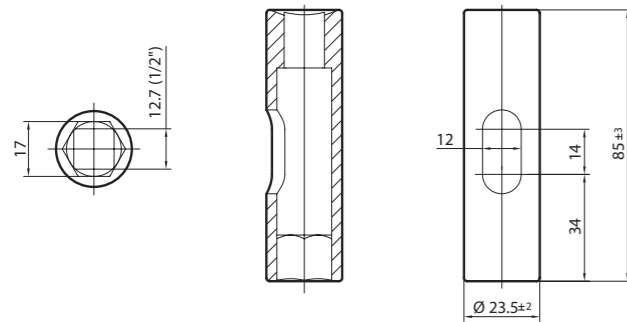
Dimensions



The fastening socket is used for tightening according to the torque of the RollerDrive fastening nut using a torque wrench. The socket features a lateral opening through which the RollerDrive connecting cable can be fed to the outside.

Article number: S-1101248

Dimensions



Counter wrench

The RollerDrive EC310 has a glued-on ribbed nut that is located at the bearing housing. An additional nut is used to screw the RollerDrive in the side profile. Depending on the condition of the side profile, the glued-on nut must be secured with a counter wrench while tightening the outside nut.

The counter wrench size 17 WAF fits perfectly between the flange of the ribbed nut and the bearing housing of the EC310.

Article number: S-1101270

RollerDrive EC310 extension cable



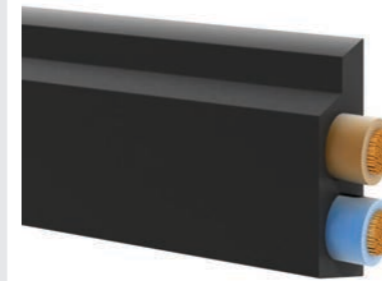
The connecting cable of the EC310 can be extended easily with a plug connection by using the RollerDrive extension cable.

Article number: S-1004033

Technical data

- Temperature range: -30 to +40 °C
- Color: Black
- Length: 2 m
- Outside diameter: 5 mm
- Plug connection: M8 snap-in plug and socket
- Protection rating: IP67 in connected state
- Suitable for drag chains: no

Voltage supply flat cable



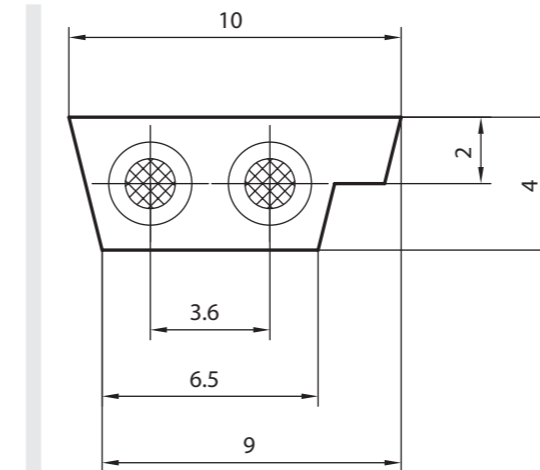
The flat cable is used for the voltage supply of ConveyorControl and MultiControl. The outer contour of the line corresponds to the standard of AS interface. The shell of the line covers holes that were created by penetration contacts. This means that the cable maintains the protection rating even after disconnecting a control.

Article number: S-1004030

Technical data

- Temperature range: -28 to +40 °C
- Strand insulation: Brown for +24 V, blue for ground
- Length: 25 m
- Cross section of braids: 2.5 mm²
- Protection rating: IP54 in contacted state
- UL CL2

Dimensions



ConveyorControl communication cable



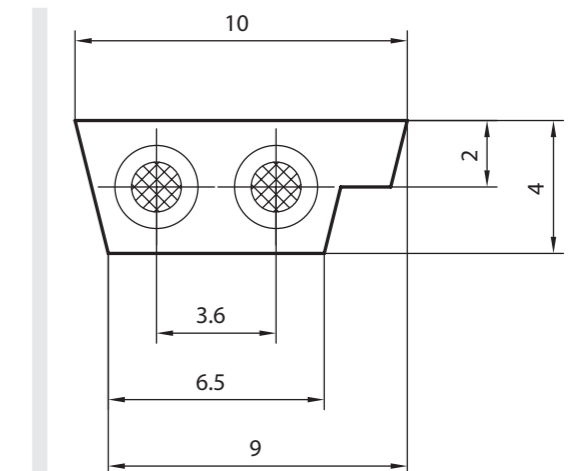
The flat cable is used for the communication of the ConveyorControl control system. The different controls of the system simply contact the line via penetration contacts. The outer contour of the line corresponds to the standard of AS interface. The shell of the line covers holes that were created by penetration contacts. This means that the cable maintains the protection rating even after disconnecting a control.

Article number: S-1004031

Technical data

- Temperature range: -28 to +40 °C
- Length: 50 m
- Cross section of braids: 1.5 mm²
- Protection rating: IP54 in contacted state
- UL CL2

Dimensions



MultiControl communication cable



The prefabricated Ethernet cable is used for communication with MultiControl. The cable allows connecting one MultiControl with another MultiControl, another bus node, a switch or a PLC.

Article number: S-1104438

Technical data

- Temperature range: -30 to +40 °C
- Color: Green
- Length: 3 m
- Outside diameter: 6.5 mm
- Plug connection: M12, straight on M12, straight
- Protection rating: IP67 in contacted state
- Line: Cat5, shielded
- UL1581

MultiControl Y-cable



The Y-cable with M8 plugs enables the use of an additional input or output at the MultiControl.

Article number: S-1104460

Technical data

- Temperature range: -30 to +40 °C
- Color: Black
- Length: 300 mm (+ plug)
- Outside diameter: 5 mm
- Plug connection with single connector: M8, straight, screwed, 4-pin, for connecting to a MultiControl
- Plug connection with dual connector: A) M8, straight, screwed, 4-pin, for connecting to a zone sensor
B) M8, straight, screwed, 4-pin, for connecting to an input or output
- Protection rating: IP67 in contacted state

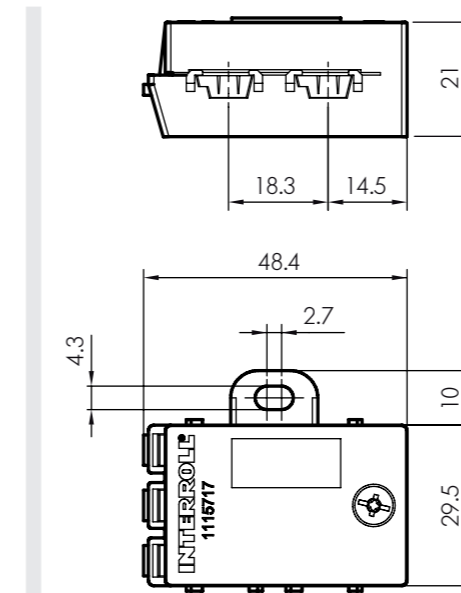
Cable distribution

The cable distribution allows splitting a flat cable. MultiControl in its initial design (article number S-1101834) allowed connecting a second flat cable as an option for the voltage supply of connected RollerDrives. MultiControl in its new design (article number S-1103563) requires two voltage supplies in principle. If the new design of MultiControl is to be used as spare part in a system that features only flat cables for voltage supply, the cable distribution can be used.

The cable distribution includes two end caps for left and right design to protect the cable ends and to maintain the degree of protection IP54.

Article number: S-1115717

Dimensions



Shield connection cable

To reduce the risk of interference effects on the communication line of MultiControl, the shield of the cable can be grounded. Both sides of the MultiControl feature a contact that is connected with the shield of the respective communication cable. The shield connection cable can be used to connect the contact with functional ground or to connect the two contacts of MultiControl with each other. The shield connection cable is 330 mm long and features a cable lug at each end. The cable lug and the screws contained in the scope of delivery allow connecting the cable to one or both contacts of MultiControl. Screws and lock washers are included.

Article number: S-1113876

MultiControl dummy plug

The MultiControl features 4 RollerDrive, 2 communication and 4 sensor or I/O connections. If all connections are occupied, then the MultiControl has a protection rating of IP54. Based on the application, it is also possible that not all connections are occupied. If the protection rating of IP54 is to be maintained in such cases, then it is necessary to close the connections. The dummy plug package contains as many plugs as needed if the MultiControl has only the minimum connections.

Article number: S-1104466

Dummy plug package

MultiControl connection	Dummy plug size	Use	Dummy plugs included
RollerDrive	M8	Insert	3
Sensor or I/O	M8	Screw	3
Communication	M12	Screw	1

The dummy plugs are delivered prefabricated for the required connections.

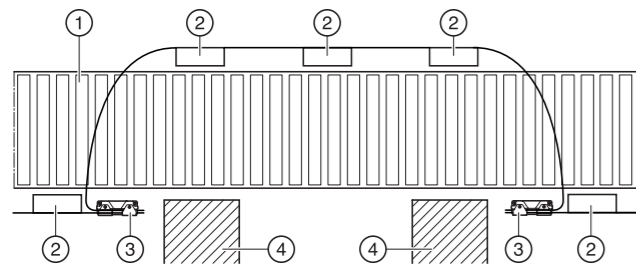
Technical data

- Temperature range: -30 to +40 °C
- Color: Black

Cable bridge for flat cable

The cable bridge allows electrically combining two flat cables and changing the position of one flat cable. The ends of both flat cables have to point in the same direction.

Article number: S-1004028



- 1 Conveyor system
- 2 SegmentControl or ComControl
- 3 Cable bridge
- 4 Obstacle (wall, column or similar)

Technical data

- Temperature range: -30 to +40 °C
- Protection rating: IP54
- Suitable for the communication cable of the ConveyorControl system
- Suitable for the voltage line of the ConveyorControl system or the MultiControl: can be loaded up to 6 A

ConveyorControl termination box



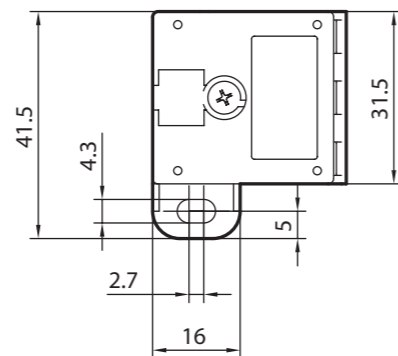
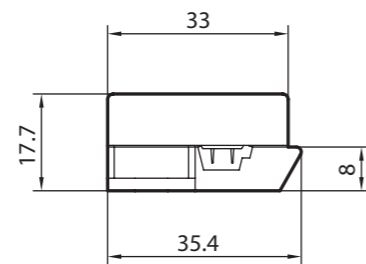
The small termination box serves as terminating resistor for the communication cable of the ConveyorControl system. The termination box can easily contact the cable using penetration technology.

Article number: S-1103892

Technical data

- Temperature range: -30 to +40 °C

Dimensions



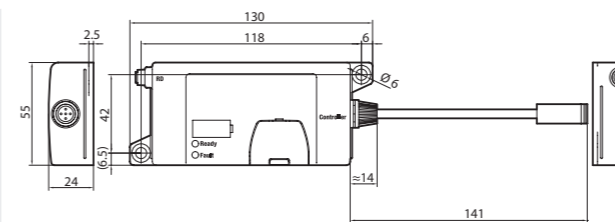
AdControl



The AdControl can be used if a RollerDrive EC300 (predecessor of EC310) is to be replaced with a RollerDrive EC310. The AdControl has a short connecting cable with plug. The plug corresponds to that of the EC300 and is connected with the existing DriveControl EC200 / EC300 or extension cable. The EC310 is inserted on the left side. DIP switches are protected by a yellow end cover. The DIP switches can be used to set the gear stage of the previously used EC300 and the new EC310. The complex wiring of a new control is not needed. The use of the AdControl allows using a RollerDrive EC310 without changing the existing wiring. Depending on the gear ratio, the AdControl can also be used when replacing an EC200 with an EC310 (see instruction manual of AdControl).

Article number: S-1100372

Dimensions

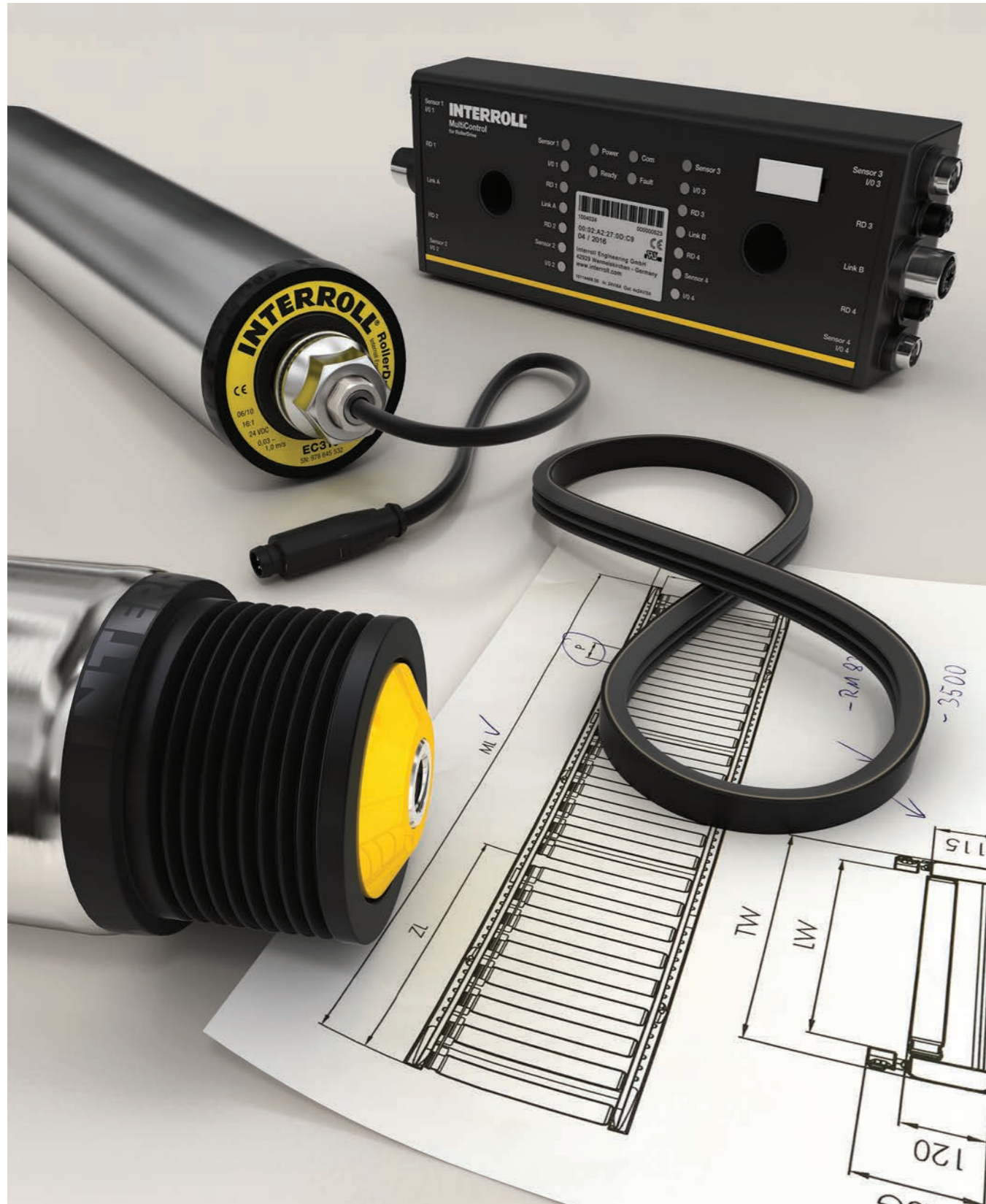


Magnetic key



The magnetic key with a high-quality neodymium magnet offers many functions. For the MultiControl, it enables switching the bus protocol or the use of the Teach-In method. For the ConveyorControl, it enables addressing or, for example, performing a self-test.

Article number: S-64100210



Material

This chapter is intended to provide support in the planning of conveyor systems and the selection of matching products.

The properties of the material to be transported, the requirements with regards the conveyor system and the ambient conditions are the basis for the planning of the system.

Length and width of material

The length and width of the material to be transported have an effect on several factors:

Straight running: The higher the ratio of length to width, the more stable will be the straight running of your items. With smaller length to width ratios, it may be necessary to put in place additional measures to stabilize the straight running of the materials.

Reference length: As a rule, the reference length corresponds to the conveyor width +50 mm or for large materials, such as pallets, +100 mm. In curves, Interroll recommends the use of tapered conveyor rollers whose length must be calculated separately (see page 260).

Roller pitch: To transport the material without problems, the roller pitch must be selected so that the material is carried by three conveyor rollers at any given time.

Surface pressure: The different Interroll conveyor rollers can be loaded with different forces. The static load capacity of a roller can be taken from the respective roller chapter. The values are based on the assumption that a material rests on the complete usable tube length and not just on a part of the tube. If a material has contact with less than approx. 50 % of the usable tube length, please have the application checked by Interroll beforehand.

Very long materials generally do not rest on all rollers that are located under them. If, for example, 20 rollers are under a piece of material, but the material contacts only 15 rollers, then the load capacity of a roller must be greater than one-fifteenth of the material. For very long materials, the tolerance of the roller fastening height should be kept as low as possible so that as many rollers as possible can carry the material.

Height of material to be conveyed

The greater the height of the material in relation to its bottom area, the higher is the risk of it tipping over when traveling on the conveyor. The following must be taken into consideration:

- Minimize the roller pitch as much as possible to ensure that the products are conveyed smoothly with as large a base surface as possible.

- Avoid rapid acceleration and harsh braking. When using RollerDrive, it is very convenient here to select ramps for starting and stopping.
- With inclined conveyor tracks, determine the center of gravity of the material to be transported and check whether there is a risk of it tipping.

Weight and weight distribution of the material to be conveyed

The weight of the material must be distributed on a number of conveyor rollers so that the maximum load capacity of the individual conveyor roller is not exceeded. This may mean that more than three conveyor rollers must support the material.

In principle the weight of the material should be distributed as evenly as possible. The more uneven the weight distribution is, the more difficult a reliable conveyance is.

If the weight in form of the goods is positioned, e.g. only at the start of the load carrier, then it is very likely that the rollers at the end of the load carrier support only very little weight. In the worst case scenario, the rollers at the start of the load carrier could be overloaded.

The greater the diameter of the tube is selected, the higher is the load capacity of the roller. The load capacity is increased if shafts are screwed together. In addition, the shafts reinforce the conveyor and act as a cross tie.

Drives, such as RollerDrive, must be selected so that the torque is sufficient to be able to move a system consisting of several conveyor rollers and drive elements. On top of that, the drive must be dimensioned for the material weight.

Drive elements, such as chains, round belts or flat belts, must also be selected while taking the material weight into consideration. For the container transport area, Interroll recommends the use of PolyVee belts whose service life and torque transmission are significantly higher than for round belts.

Material of conveying material

The material, and especially the condition of the base, has an effect on the rolling and starting resistance.

Hard materials, such as polymer containers, feature lower rolling and starting resistances than soft materials, such as cardboards. This has a direct impact on the required drive output and must be included in its calculation. The softer the underside of the material to be conveyed, the higher is the drive output required for a product with the same weight but with a hard underside. For example, white goods are often packaged with styrofoam on the underside. Depending on the roller pitch, material weight, exposure time and softness of the styrofoam, the styrofoam shapes itself onto the rollers. A waveform matching the roller pitch can then be seen in the styrofoam.

On friction conveyors, the result can be that the materials will no longer start moving. In principle, the softer the material to be conveyed, the smaller the roller pitch needs to be.

Ribs, keyways, strips or grooves in the bottom of materials to be conveyed that run parallel to the direction of conveyance, do not pose a problem concerning transportability. The required drive output increases depending on their shape. Cross ribs can negatively impact the transporting. It may be necessary to determine the roller pitch empirically.

When checking whether a roller has sufficient load capacity for an application, it is important to take the condition of the material into consideration. Materials with an uneven bottom generally do not rest on all rollers that are located under them. With pallets, it must be ensured that only the rollers under the bulk of the pallet are actually bearing the load. The following diagram shows which runner load distribution occurs for an evenly loaded euro-pallet.

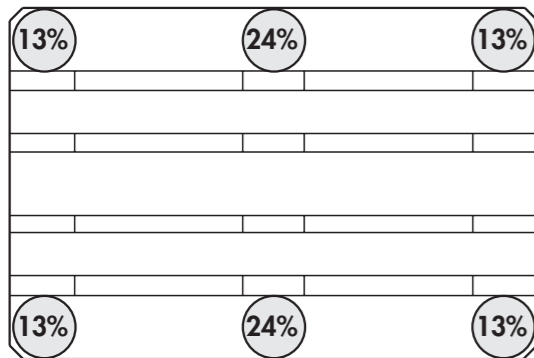


Fig.: Support of 2 runners

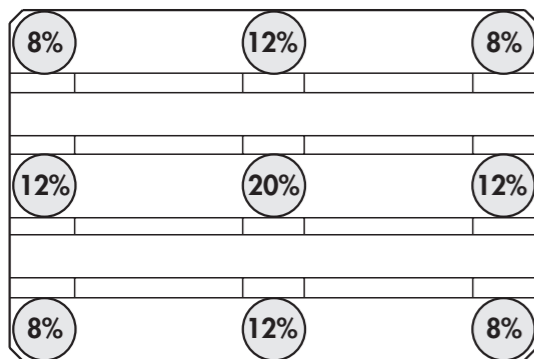


Fig.: Support of 3 runners

Conveyor requirements

The following fundamental parameters determine the configuration of the conveyor:

- Maximum throughput per time unit
- Geometry of material to be conveyed
- Weight and weight distribution of the material to be conveyed
- Control requirements
- Environmental conditions

Static charging

In principle, conveyance via rollers creates electrostatic charging which, among other things, depends on the properties of the material to be conveyed and the tube material.

To prevent electrostatic charging from occurring or dissipate it immediately and without creating sparks, Interroll offers antistatic versions for rollers with steel tube.

An option is available to conduct the charge via an antistatic element at low resistance from the tube to the shaft. If a conducting connection exists between roller shaft and side profile, it allows the charge to be discharged to the grounded side profile. Rollers with sleeve, with tapered elements or with polymer drive head always feature an antistatic element so that they can be connected with ground potential in the area of a tube projection. Static charge cannot be discharged from the PU and PVC sleeve or the gray tapered elements.

Compared to the gray versions, black tapered elements for a tube diameter of 50 mm are suitable for discharging static charges.

All RollerDrive variants, including in the IP66 design, as well as MSC 50, are always designed to be antistatic.

All solutions require the proper manufacturing and check of the conducting connection between shaft and side profile and the grounding of the side profile by the system manufacturer.

Rollers with welded steel sprocket head or double sprocket head can also be connected with ground potential via the chain.

Noise level

Noise is created by different components of a conveyor and the material itself.

Every drive creates noise. The Interroll RollerDrive is designed with decoupling elements which reduce the noise of the gear box. In most cases, the noise level of the RollerDrive is below 50 dBA. More and more zero-pressure accumulation conveyor systems are converted from pneumatic solutions with a centrally arranged drive to a RollerDrive solution. The significantly lower noise level is a deciding factor here.

The following applies to the noises of drive elements: A chain drive causes more noise than a belt drive.

Noise development at rollers depends on the bearing and how it is fastened in the tube. Precision ball bearings, such as those in series 1700, run significantly quieter than bearings such as those used in series 1100. The material of the bearing housing, in which the bearing is installed, also plays a role. A metal bearing housing is installed in series 1200 for extreme ambient temperatures, but it is significantly louder than one of the roller series 1700. Almost all of the roller series from Interroll are manufactured with technopolymer bearing housings in order to obtain the perfect noise reduction.

Very quiet rollers, drives and drive elements are of little use if the material on the conveyor creates noise. Various measures can counteract it. The following should be observed in this case:

- A small roller pitch generally causes less noise than a large roller pitch.
- Watch for small height tolerances at transitions and at the fastening of the rollers / RollerDrive.
- Fitting the rollers / RollerDrive with noise-reducing materials, e.g. with a PVC or PU sleeve
- Use of noise reduction inside of rollers for rollers with a diameter of 50 mm – see page 39

Humidity

Humidity can occur in different forms as a result of the following:

- moist materials, e.g. bottle crates stored in the rain
- moist environment, e.g. sculleries
- applications that become moist, e.g. because of cleaning or tripped sprinkler systems

If humidity can be expected in a system, then all components should be checked for corresponding resistance.

Interroll offers a series of products that are suitable for applications with humidity:

Tube material: Rollers and RollerDrive can be manufactured from rust-free material, such as stainless steel. In addition, materials can be protected with different finishing processes, such as zinc-plating, chrome-plating or carbonitriding.

Shaft material: Shafts can be manufactured from rust-free material, such as stainless steel.

Drive elements: Some drive elements are better suited for moist applications. PolyVee belts are much better suited than round belts which are guided via grooves in the tube. The round belts could slip in the smooth groove.

Drives: The RollerDrive already has a high degree of protection with protection rating of IP54. If high humidity or water jets can be expected in the application, Interroll recommends the design with protection rating IP66.

Bearing: All rollers with precision ball bearings are well protected against moisture and dust. For systems with constant humidity or moisture, Interroll offers designs with stainless steel ball bearings.

For series 1500, all components are suitable for moisture. Shaft pins are made of stainless steel and cannot rust. The tube can be manufactured from stainless steel, and grease cannot be flushed out of the slide bearings used, and the slide bearings cannot rust.

Applications in freezer area

Applications with an ambient temperature of approx. $-28\text{ }^{\circ}\text{C}$ are particularly prevalent in the food processing sector. Many items must be taken into account in the so-called freezer area:

- Does the startup of components change, such as for rollers?
- Do drives require more output since the viscosity of grease types may increase or components are frozen?
- Are all the components functionally dependable, even if, e.g., different materials contract differently?

The Solutions from Interroll

Materials: For various products, Interroll offers variants that are particularly suited for freezer applications. The gray tapered elements are not brittle and, for this reason, well suited for freezer applications. The bearing housings of series 1700 are designed as high impact-resistant for freezer applications.

Drives: The RollerDrive EC310 is available in a freezer design. Even after a longer standstill, the RollerDrive starts up again. This is made possible by a special freezer grease and matched components or materials.

Drive elements: Before using a drive element, its suitability for freezer applications should be checked. It should also be ensured that the friction at temperatures below zero is sufficient and the drive elements cannot freeze since frozen drive elements could pose unplanned torque requirements for the drive.

Bearing: The precision ball bearings used also work in freezer conditions. However, the startup of the roller is higher in this case than at an ambient temperature of $20\text{ }^{\circ}\text{C}$. Drives are either designed for this higher startup, or oiled ball bearings are being used. The oiled bearings run significantly smoother at temperatures below zero.

Under freezer conditions, materials such as steel and polymer contract in different ways. For functional reliability, a PolyVee drive head for a RollerDrive is not only pressed into the steel tube, but it is also flanged. Additional security against twisting is provided by a metal star. This star, which is being produced with laser cutting, is engaged in the drive head and channels itself into the inside wall of the tube. This innovative solution inside the tube allows avoiding interfering edges on the outside contour of the tube. This solution is available as an option for various designs series 3500 and 3500KXO.

Series 1200 is specifically designed for extreme temperature applications. Metal bearing housings in metal tubes offer the highest functional reliability.

Drive concepts

With respect to drives, Interroll distinguishes between drives (such as round belts, PolyVee belts, chains, etc.) and the actual drive. Different drives are used in conveyor systems, such as drum motors, gear motors, motor rollers, etc. Furthermore, the potential energy of materials to be conveyed, e.g. on gravity conveyors, is also being utilized.

Gravity conveyors

A gravity conveyor differs significantly from the other concepts. It is not horizontally aligned, but always mounted at an incline. There are driven and non-driven gravity conveyors. The discussion below refers to a gravity conveyor without drive. Gravity conveyors use the potential energy of materials to be conveyed. This means that other technology must first move the material to a corresponding spatial height.

The material rolls without additional drive as a result of the potential energy up to the end of the conveyor or up to the preceding material. Due to the missing drive, a gravity conveyor is usually a cost-effective solution. The speed and the restart capability of materials is heavily influenced by:

- The incline of the conveyor
- The already existing speed of a material when placed upon the gravity conveyor
- The ease of movement of the rollers
- The conveyor length
- The condition of the underside of a material to be conveyed
- The weight of the material
- Other properties

On the one hand, the material must reach the end of the conveyor. It must not stop because its weight is too low to start moving rollers at rest. If many materials are already on a gravity conveyor and, as a result, a piece of material stops in the last section of the conveyor, then it must be ensured that the last item will start again and reach the end of the gravity conveyor after the first materials have been conveyed.

On the other hand, the speed of the materials must not be or get too high. There is the risk that a material hits another jammed material or the end stop at the end of the conveyor. This creates an injury risk for employees who may want to remove the material by hand, as well as the risk of damaging the material.

Establishing the matching properties of a gravity conveyor becomes a challenge if different materials have to be moved. Generally, the materials on a gravity conveyor differ by at least one of the following properties: Weight, size, material and base condition. A mixture of different materials can also be transported by a gravity conveyor with respect to personnel and material safety as well as process reliability. Interroll offers different products for this purpose. The rollers of series 1100 are designed for use in gravity conveyors.

The following should be observed when selecting rollers for a gravity conveyor:

- Select rollers with particularly smooth startup.
- Rollers with oiled ball bearings turn more easily than those filled with grease.
- The weight of the rollers: The wider the gravity conveyor, the longer and, as a result, heavier the roller. Ideal are rollers with low mass inertia (lightweight tube material).

The magnetic speed controller MSC 50 enables the restart of materials starting at 0.5 kg and reliably decelerates materials up to 35 kg depending on the properties of the conveyor. If materials are lighter than 0.5 kg or heavier than 35 kg, it is also possible to use the RollerDrive series EC310.

The driven RollerDrive ensures that every lightweight material, regardless of its weight, can be moved or moved again. When decelerating heavy materials, the energy recovered by the RollerDrive must not be too high. If one or several RollerDrive are used within a gravity conveyor, it also provides the advantage of accumulation pressure reduction. If a RollerDrive, which may be connected with additional rollers via drive elements, is stopped, then the materials stop. This allows reducing the pressure on materials that are already on the conveyor or on the stop at the end of the conveyor. On long gravity conveyors, it may be advisable to use several RollerDrive in order to reduce the accumulation pressure even further. If the incline is so high that materials slide over the steel tube of stopped RollerDrive or rollers, then the friction may be increased due to PVC sleeve on the tube.

In principle, it is recommended to test every gravity conveyor design under original conditions.

Fixed drive conveyor

If a material moves in harmony with the drive, then it is generally a fixed or constantly driven conveyor. The drive head of the rollers used is permanently connected with the tube. If the fixed drive heads are replaced with friction drive heads, they create a friction conveyor. Depending on the drive element, it is also possible to use rollers without drive head, e.g. for a flat belt conveyor. Many different types of fixed drive conveyors are possible. They generally differ with respect to the selected drive element, such as chains, PolyVee belts, round belts used together with drive shafts or from roller to roller, flat belts, etc. and the drives used.

For all current fixed drive conveyors, Interroll offers matching conveyor rollers, with the RollerDrive EC310, the Pallet Drive and PolyVee belt even drives and drive elements. When using a RollerDrive as drive, it is recommended to place it in the middle of the driven conveyor rollers (for additional planning information about the RollerDrive, see page 266. Information about the Pallet Drive is located in separate product documents.) If many rollers have to be driven, then PolyVee belts offer advantages

over round belts. The use of PolyVee belts reduces the number of roller revolutions with increasing distance to the RollerDrive. Additional information is also located in the chapter "Drive Elements" at page 253.

Friction conveyor

Friction conveyors are generally used to transport and accumulate materials. The special thing about friction conveyors is that an accumulation of materials can be accomplished with only little accumulation pressure when the drive is switched on. The same situation on a fixed drive conveyor would cause the materials that were stopped first to receive so much pressure from the subsequent materials that fragile cardboards could be damaged. Friction conveyors are well suited for buffer sections with non-uniform loading and unloading.

Friction conveyor rollers are available with many different drive elements, see page 257. Even a conveyor with drive shaft can be used as friction conveyor. The guide wheel of series 2600 enables not only guiding a round belt, but it also enables the drive shaft to turn while the wheel remains at rest. It must be ensured that the round belt does not slip through as this could significantly shorten its service life. For additional information, see page 255.

For some application's, it is a disadvantage if the materials touch, even if the accumulation pressure is reduced by the friction operation. In this case, a conveyor working at zero pressure accumulation may be better suited – see the next chapter (for additional information about friction conveyors, see page 257).

Zero pressure accumulation conveyor

The zero pressure accumulation conveying is often abbreviated as ZPA. A ZPA conveyor is generally divided into zones. The zone length is based on the length of the material or the longest material. Each zone features an option of identifying material to be conveyed, e.g. via a photo cell. In addition, every zone can be switched in and out. The zones are driven in different ways, see the examples below.

One option consists of a central drive, often a gear motor, that drives a flat belt. The flat belt is pressed onto the rollers using a switchable unit or guided past them. In the case of bypassing, the rollers are also often decelerated. It is feasible that the flat belt is pressed onto only a few rollers of a zone and the remaining rollers are connected with them by means of other drive elements. In many cases, this switching unit consists of pneumatic valves. They frequently cause an undesired noise level.

Another option always presses the flat belt against a section of a roller in every zone. The remaining portion of the roller is switched in or out via a coupling. The remaining rollers of every zone are connected with the driven roller via other drive elements.

Another concept is the use of decentral drives. Motor rollers are often used for this purpose. In this case, drives which are directly driving the respective rollers, are installed in one or several rollers of a zone. A drive element connecting the entire conveyor is redundant. The remaining rollers of a zone are generally connected with the motor roller(s) using PolyVee belts or round belts. The zones can be activated or deactivated by switching the motor rollers on or off in a targeted way.

Depending on the length of the conveyor, the design with central drive usually falls below the investment costs of a solution with motor rollers. However, the operating costs tend to be higher due to the constant turning of the drive, even when nothing may be conveyed at the time. For most solutions with motor rollers, higher investment costs are possibly amortized after a short time.

Not only the lower energy consumption speaks in favor of a solution with motor rollers, but also the compact design. The motor is installed in a roller and does not have to be placed next to or below the conveyor.

Compared to gear motors, motor rollers are maintenance-free, they do not have to be greased and generally offer a higher safety level with a protected extra-low voltage.

But solutions with motor rollers can also have disadvantages. For solutions with many motor rollers per zone, the availability decreases – the more motors are being used, the higher the probability that a motor roller fails.

For this reason, Interroll recommends the use of the RollerDrive EC310. In this case, one RollerDrive per zone is generally sufficient, and flexible control concepts are available. Furthermore, the controls offer many other options, such as change of direction of rotation or start and stop ramps which are not being offered by conventional ZPA conveyors. For technical data, please refer to page 198.

Drive elements (belt, chain)

With respect to drives, Interroll distinguishes between the actual drive, such as RollerDrive, drum motor, Pallet Drive, gear motor, etc. and the drive elements. Drive elements refers to different types of the torque transmission.

Interroll offers conveyor rollers for all common drive elements:

- Chains
- Toothed belt
- PolyVee belt
- Round belt
- Flat belt

In principle, there are two possible types of power transmission for many drive elements:

- Tangential: Via a lateral medium running alongside the conveyor, such as a chain
- Roller-to-roller: From conveyor roller to conveyor roller or from drive shaft to conveyor roller.

Both types of power transmission can be used for friction conveyors and fixed drive conveyors.

Chains

The chain is a tried and trusted method for driving conveyor rollers and conveyor elements in conveyor systems. Chains are characterized by their robustness and durability and are not sensitive to dirt and environmental influences. Very high levels of power can be transmitted with a chain. It is recommended to protect the chain drive against inadvertent contact.

Chains are not maintenance-free and are relatively loud in operation. They must be lubricated regularly in order to achieve an optimum service life. The noise created by a chain as drive element increases with increasing speed. For this reason, speeds higher than 0.5 m/s are not recommended.

Conveyor rollers with flanges welded on are often used for guiding pallets. Guiding pallets via flanges increases the power demand and must be taken into account during the dimensioning of the drive and drive elements.

The maximum drive length to be moved by a drive is limited by the permissible load of the chain. The following factors determine the maximum drive length "L":

- The permissible tensile load of the chain F_{MAX} in N
- The gravitational force of the individual material to be transported F_T in N
- The roller resistance μ of the conveyor track, whereby a value of 0.1 is generally selected
- The projected conveying speed "S" in m/s
- The placement cycle "t" of the materials (in S), i.e. the time between two successive pieces of material to be conveyed

The maximum drive length "L" is being calculated:

$$L = \frac{F_{MAX} \cdot S \cdot t}{F_T \cdot \mu}$$

If the drive station is positioned in the middle of the conveyor for the drive from roller to roller, then twice the drive length can theoretically be implemented. The sprockets that transfer the drive output must not be overloaded in such a case.

Based on the overall efficiency of this system, long drive lengths should be avoided. In many cases, drive lengths of more than 15 m have proven to be problematic.

F_{MAX} can be determined with the permissible breaking load F_B of the chain used. A safety factor of 7 (for which the wear of the chain is also within an acceptable range) is generally used for this purpose so that F_{MAX} can be determined as follows:

$$F_{MAX} = \frac{F_B}{7}$$

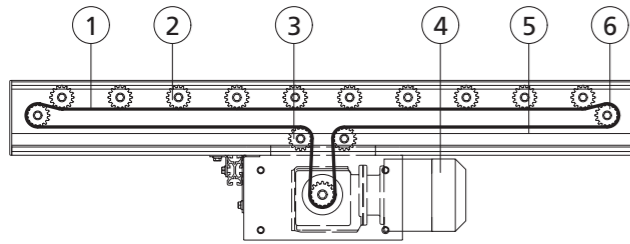
According to DIN, the following breaking loads must be assumed:

Chain designation	Breaking load F_B	F_{MAX}
06B (3/8")	9100 N	1300 N
08B (1/2")	18,200 N	2600 N
10B (5/8")	22,700 N	3243 N

The drive output "P" required for maximum length can be calculated as follows:

$$P = \frac{L \cdot \mu \cdot F_T}{t}$$

Tangential transmission of force



The tangential chain drive is characterized by its good level of efficiency and simple design. The drive head (2) consists only of one sprocket. For this reason, the installation length of the conveyor roller is shorter for a roller-to-roller drive. A single chain (1) drives all of the rollers in a conveyor. The chain is guided to the sprockets by a chain guide profile. The chain guide profile (5) is usually made of special plastic and must guide the chain extremely precisely.

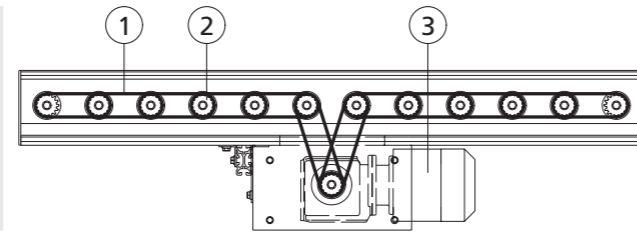
When used in fixed drive conveyors, the sprockets are permanently connected with the tube of the conveyors. Friction conveyors use rollers whose sprockets are not permanently connected with the outside tube. 1 to 2 teeth of the sprockets mesh into the chain and only transfer the driving power required for the individual roller. The chain can be guided either along the top of bottom of the conveyor rollers. The precise positioning of the chain guide in relation to the conveyor rollers is extremely important. The maximum play in terms of height is 0.5 mm. The central motor station (4) must be installed in such a way that the driving side of the chain is as short as possible. It is advisable to provide the motor station with additional equipment for adjusting the chain tension. Idler pulleys (3, 6) guide the chain at the drive and / or end of conveyor in the corresponding direction. It is also possible to use the last conveyor rollers as chain deflection. In this case, it must be ensured that these rollers feature a DIN gearing.

Idler pulleys, which have to carry not only the load of the material to be conveyed, but also the chain traction forces, must be checked specifically with regard to their permissible bearing load. The driven conveyor length is restricted by the permissible breaking load of the chain and by the weight of the material to be conveyed.

The roller spacing (roller pitch) can be selected as required with tangential drives. Compared with roller-to-roller drives, the conveyor rollers are easy to fit and remove with tangential drives since they are not wrapped by the chain.

Starting at 1,000 operating hours, a lengthening of the chain of up to 2 % can be expected.

Wrapped force transmission



With wrapped force transmission, every conveyor roller is connected to the next one by a chain (1). For this reason the conveyor rollers require double sprocket heads (2). They need more space than with a tangential drive, so that the installation length of the roller is longer. Double sprocket heads always feature a DIN gearing (standard gearing).

An additional chain guide is not required. The roller pitch is subject to very tight tolerances and depends on the chain pitch.

$$t = P_c \cdot \frac{nc - nt}{2}$$

t = Roller pitch
nc = Number of chain links
nt = Number of teeth of drive head
Pc = Chain pitch

The maximum conveyor length depends on the drive output of the motor station (3) and the permissible breaking load of the chain. The chain experiences its maximum load at the motor station. The tolerances for the roller pitch "Pr" and the breaking load are listed in the following table.

Chain pitch / designation	Pc [mm]	Tolerance of Pr [mm]	Breaking load [N]	F _{max}
06B (3/8")	9.52	0 to -0.4	9100	1300 N
08B (1/2")	12.70	0 to -0.5	18200	2600 N
10B (5/8")	15.88	0 to -0.7	22700	3243 N

Pc = Chain pitch
Pr = Roller pitch

Toothed belt

The share of toothed belts as drive element in roller conveyor systems is declining. Toothed belts are generally used from roller to roller and are unable to negotiate curves. Compared to round or PolyVee belts, the power requirement of a toothed belt is significantly higher because of its design. This must be taken into account in the selection of the drive. Toothed belts pose a high demand on the tolerance of the roller pitch since the tooth engagement is form-fit with the profile of the drive head. Interroll recommends obtaining the tolerances to be followed from the manufacturer of the selected toothed belt.

One advantage of the toothed belt compared to round and PolyVee belts, is the fact that it passes movements without slipping when used properly. On top of that, toothed belts are low-noise and maintenance-free, lubricating or retensioning is not required.

The drive length of a conveyor with toothed belt drive should be dimensioned so that the overall load of 12,000 N material being conveyed at the same time is not being exceeded.

With the series 3500 and 3600, Interroll offers different conveyor rollers with toothed belt drive head. A maximum toothed belt width of 12 mm and a Poly Chain GT gearing is recommended for the series 3500, a maximum toothed belt width of 20 mm and an HTD gearing for the series 3600.

PolyVee belt

PolyVee belts are ribbed V-belts that are generally used for the torque transmission from roller to roller in roller conveyor systems. The belts must feature a flexible tension member which renders them significantly less flexible than most round belts. Nevertheless, they can accept tolerances within the roller pitch because of their flexibility and used as drive elements in curves. For the installation of PolyVee belts, Interroll recommends the use of a PolyVee tensioning device, see page 239.

Compared to round belts, PolyVee belts can transfer a higher torque of up to 300 %, the service life is longer and, when used properly, a PolyVee belt does not slip over the drive head. In start-stop operation, the rollers can be stopped more precisely and, compared to round belts, a higher number of conveyor rollers can be driven because of the high torque transmission.

Due to the design of the PolyVee drive head and the small width of the belts, they can be placed very close to the side profile. This leads to an optimal tube utilization for materials. With the small diameter of the PolyVee drive head, any contact of PolyVee belt and material is generally ruled out.

In conveyor systems, 2-rib and 3-rib PolyVee belts are generally used. Interroll offers PolyVee belts for these designs for the most common roller pitches (see page 238). The 9-rib drive head also allows using 4-rib belts. The ability of high torque transmission

also carries with it a high demand on safety. Injuries, such as jammed fingers between PolyVee belt and drive head, must be avoided. Interroll offers a finger guard for the most common roller pitches. It does not have to be fastened to the side profile and, for this reason, can be used for almost all side profiles (see page 239).

Round belt

Round belts, also referred to as O-rings, are available in different materials, colors and diameters. They are often used for the torque transmission from roller to roller. Long round belts, which may be guided under the rollers and drive several rollers, are rather rare. Round belts are cost-effective with respect to their purchase, are very flexible and can be installed with ease. The disadvantage is a relatively poor power transmission and relatively short service life. For this reason, the use of PolyVee belts predominates in conveyor systems.

Round belts are also being used in conveyors with drive shaft. In this case, a drive shaft runs under the entire conveyor. This shaft is generally driven by a gear motor. Special wheels are usually affixed on the drive shaft (e.g. series 2600, see page 168). One wheel guides and moves a round belt in each case. The round belt is twisted by 90 degrees when it is inserted in the groove of a conveyor roller. The wheels can either be fixed or sit loosely on the drive shaft. In case of a loose connection, it creates a conveyor with low accumulation pressure, see page 252.

Interroll offers several products for the use of round belts.

Series 1700: Rollers can be fitted with grooves as follows to be able to guide round belts:

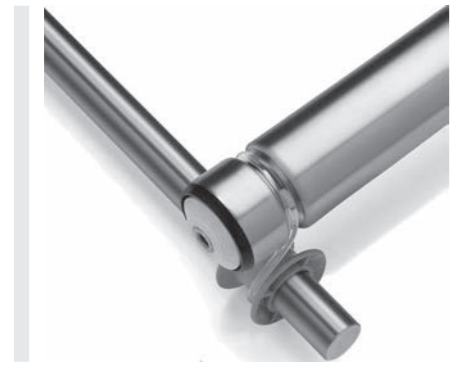
- With one groove for the use described above in a conveyor with drive shaft
- With two grooves, e.g. for use in a conveyor with torque transmission from roller to roller
- With up to 4 grooves for additional application scenarios

Series 3500: As an alternative to guiding via grooves, Interroll offers a round belt drive head. The drive head made from polyamide offers the advantage that the round belts can be guided closer at the end of the roller or at the side profile of the conveyor. In this case, it is more likely to separate torque transmission and running surface of materials to be conveyed.

The round belt head offers a higher conveyance for most belts because of its material. This significant advantage must be taken into account if acceleration and deceleration for start-stop operation are so high that the belt briefly slips and wears out. The better the conveyance from the guide, the higher the wear in this case. Groove solutions in tubes and also the round belt drive head offer 10-mm wide grooves. This allows using round belts with a maximum diameter of 6 mm. In case of higher round belt diameters, there is the risk of two contact points of the round belt

– at the bottom and at the side of the groove. In this case, the belt is subjected to two different speeds and experiences above average wear.

Series 2600: The series offers a wheel which enable guiding round belts on drive shafts.



Flat belt

Flat belts are used for tangential force transmission. In this case, the flat belt is guided under the rollers and, in each case, pressed against a part of the roller. This can be the tube or a drive head. Flat belts are used to construct fixed drive conveyors and friction conveyors. It is also possible to drive zero-pressure accumulation conveyors with flat belts. In such a case, the flat belt is permanently driven. Stopping subsections is done by decoupling the roller with the moving flat belt. Given the constantly turning central drive, this type of zero-pressure accumulation conveying leads to significantly higher energy consumption. Interroll recommends the use of RollerDrive as an alternative.

Flat belts hardly ever need any maintenance. A precise guiding of the belt is required. The flat belt is generally put in motion by a gear motor can must be brought to a pretension of approx. 1 % with a tensioning device. The drive power is generally transmitted more reliably if the loop angle of the flat belt on the roller can be increased with narrowing wheels.

Interroll offers different products for the use of flat belts. The conveyor rollers of series 1700 are frequently used for fixed drive conveyors. The series 3500 as fixed drive head is available with a flat belt drive head. The series 3800 offers friction solutions for flat belts. And the series 2600 offers several pressure rollers to guide and press on flat belts.

Friction rollers

Introduction

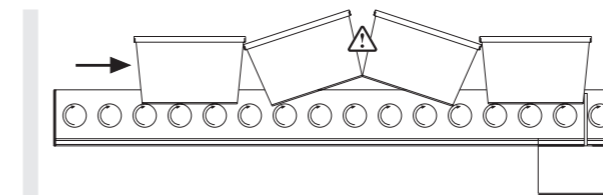
If materials are accumulated on a roller conveyor and the rollers continue to be driven, it creates accumulation pressure. This accumulation pressure continues to grow the more materials are being driven by rollers. As a result, it can damage the underside of the material to be conveyed. In addition, it is possible that the first piece of material, which is generally stopped by a mechanical stopper, will be squashed. Friction rollers prevent these problems by reducing the accumulation pressure.

Friction rollers are based on the principle of the slip coupling. In this case, the friction force in the coupling must overcome the rolling friction between material and roller. Friction rollers offer the option of setting up accumulation conveyors with minimal accumulation pressure. When materials are stopped, the rollers will also stop. The drive of the friction rollers continues to turn in this case. When the stop is canceled, the complete roller units turn again and move the materials. In this case, the conveyance is load-dependent.

The bearing housing of the series 3800 is designed as a greased-for-life slip coupling and guarantees the roller's constant conveyor force. A tangential drive has proved itself to be especially economical when used on friction conveyors. For this purpose, a central drive moves a long chain or a flat belt. The flat belt or the chain are guided past the drive unit underneath the conveyor rollers so that all conveyor rollers are operating.

Application notes

- Materials to be conveyed
 - Even and stable bases of the materials to be conveyed are ideal so that each friction roller carries the material evenly. Soft, lightweight or uneven materials, e.g. cardboards, can be unsuitable for a friction conveyor.
 - Only those materials can be used that prevent a mutual lifting out because of their shape. If necessary, the number of materials to be accumulated must be restricted.
 - Round materials are generally not suitable since they distribute randomly on the conveyor during accumulation. To prevent round materials from falling off of the conveyor during accumulation, a suitable side guide is required.



- The conveyor force, which is produced by the friction roller by means of friction, regulates itself relative to the weight of the material to be conveyed. The conveyor force is seriously affected by the following factors:
 - Weight of conveyed material
 - Base condition of material to be conveyed
 - Position of material to be conveyed
 - Humidity
 - Temperature
 - Percentage of accumulation mode over the entire running time
- These factors have, to an extent, a considerable effect on the operation and operational lifespan of the conveyor roller. The task is to find out the sufficient conveyance for the respective material to be conveyed. A dimensioning test under original conditions is generally required for this purpose.
- To enable starting up the conveyor even with complex materials, the following measures may be helpful:
 - Selection of the correct friction roller. An adjustable or a double friction roller may be better suited.
 - Reducing the roller pitch: With less load on each roller, its conveyance ability is also reduced.
 - Creating a contact pressure from the drive head onto the bearing housing in axial direction.
 - Design of a minor incline in conveying direction
- Duration of accumulation mode
 - Accumulation mode should only be used for as long as is necessary. When it can be seen that no conveyance will take place, then the central drive should be switched off. No energy will be used and the service life of the conveyor system will be increased. An overtemperature of the abrading polymer elements must be avoided.
 - For long accumulation mode, steel sprocket drives offer an improved dissipation of the friction heat.
- Placement of material to be conveyed
 - If the material is significantly narrower than the friction roller, it can affect the conveyance ability. With single friction rollers, the conveyance decreases the further away the material is from the friction drive.
 - The same applies to the center of gravity of a material to be conveyed. The closer the center of gravity is to the friction drive, the better the conveyance.
- Friction roller
 - Flanges as well as other side guides cannot be used for friction rollers. The friction that is being created could possibly not be overcome by the conveyor force of the friction coupling.
 - The use of friction rollers represents a minimum requirement on the tolerance of the installation height of the rollers. If a friction roller that is installed at a low level is followed by a roller installed slightly higher, this may represent an interfering edge to the material to be conveyed that cannot be overcome.
 - When using tube sleeves (e.g. PVC sleeves), a maximum sleeve material thickness of 2 mm is recommended.
- The maximum permissible conveying speed is 0.5 m/s.

- Use only under dry conditions
- The bearing housings that are part of the friction element, contain pockets. These pockets are filled with special grease. The grease must not be removed! It allows better startup values, due to the high adhesive force of the grease. In addition, friction heat that is being created, is dissipated better through the grease, and the wear of the polymer parts is reduced.
- The conveyance values listed below are non-binding. They refer to standard climate (65 % relative humidity and a temperature of +20 °C) and material positioned in the center.

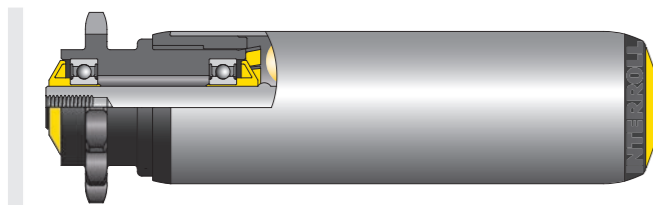
Conveyor force	Friction	Ø Friction roller [mm]
4 – 6 %	One-sided friction element	50
2 – 5 %	One-sided friction element	60
8 – 13 %	Two-sided friction element	50/60
4 – 6 % (12 %)	One-sided, adjustable friction element	50/60

Functional differences

Series 3800

Series 3800 offers different drive heads. A drive head is set in motion using a drive element and turns inside the bearing housing. The bearing housing applies force onto the drive head with the weight of tube and material to be conveyed. This friction force causes the conveyance of bearing housing and tube. The material to be conveyed is moved through the rotation of the tube.

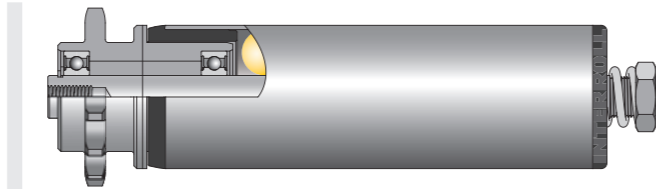
If the material is stopped, the tube stops and the drive head turns inside the bearing housing.



The product description of series 3800 is located on page 128.

Series 3800 – adjustable

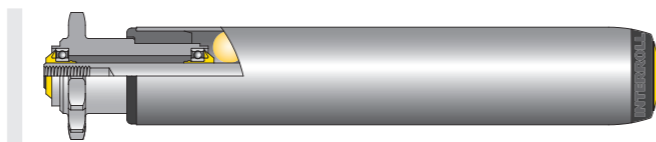
With the adjustable series 3800, a 1/2" steel sprocket drive head with 14 teeth is available, whereby the operating principle corresponds to the one described above. In addition, a male threaded shaft protrudes from the roller on the other side of the drive head. There is a nut and a spring on the shaft. Tightening the nut tensions the spring, which exerts an axial force from the drive head onto the bearing housing. This axial force increases the conveyance to up to 12 % of the roller load. The more the nut is tightened, the earlier the tube is turning.



The product description of the series is located on page 128.

Series 3800 light

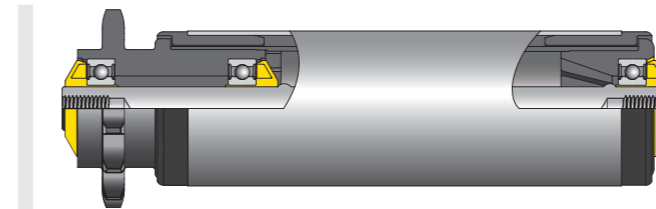
The series 3800 light offers a single friction solution as well as a double friction solution. The rollers have a diameter of 30 mm. The single friction rollers are equipped with steel sprocket heads and the double friction rollers with polymer drive heads for flat belts. The operating principle of the single friction corresponds to that of series 3800 and that of the double friction to that of series 3870.



The product description of series 3800 light is located on page 124.

Series 3870

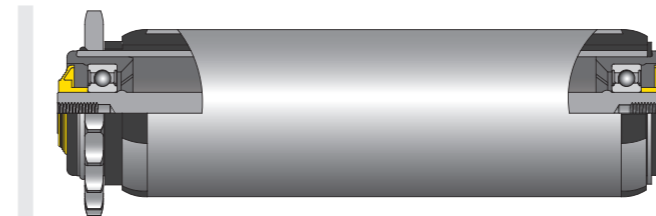
Series 3870 offers different polymer sprocket heads. A drive head and a bearing assembly on the other side are pressed into an internal tube. This unit is integrated into the external tube. The operating principle corresponds to series 3800, whereby the internal tube rotates in the two bearing housings of the external tube. If a material to be conveyed is stopped, the drive head turns together with the internal tube, and the external tube is standing still. The advantage of this solution is that both sides of the roller feature a friction unit and conveyor force is generated with an off-center load.



The product description of series 3870 is located on page 138.

Series 3880

Series 3880 offers a single and a 5/8" double sprocket head with 18 teeth. The operating principle corresponds to series 3870, whereby series 3880 does not use a drive head. The sprocket disk used here is welded onto the internal tube. With a roller-to-roller drive, two sprocket disks are welded onto the internal tube.



The product description of series 3880 is located on page 144.

How to build a curve?

It is possible to build roller curves with cylindrical rollers. With such a design, materials to be conveyed are not conveyed in the center of the curve, but alongside a required side guide. This requires more energy and it poses the risk of damage to the side guide or material that is being conveyed. For this reason, the design with tapered conveyor rollers is recommended.

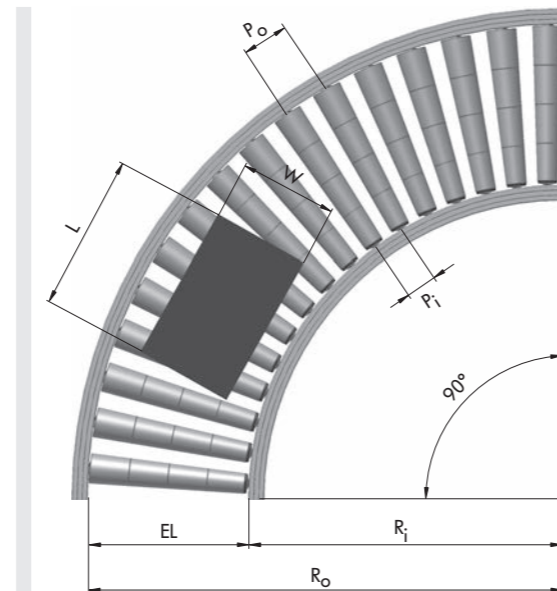
The diameter of the tapered rollers increases towards the direction of the outside curve diameter. With the increasing diameter, the circumferential speed increases. This allows materials to be transported through the curve without losing their orientation. With the usual speeds (max. 0.8 m/s) and ideal curve design, a side guide is not required.

Interroll offers different curve-capable rollers that feature the designation KXO. These are rollers with cylindrical steel tube onto which tapered elements are pushed. The following series are suitable for use in roller curves.

Series	Based on Ø [mm]	Conicity	Drive elements
3500KXO light	20	1.8°	Round belt
1700KXO	50	1.8° and 2.2°	Round belt
3500KXO	50	1.8° and 2.2°	Round belts, PolyVee belts, chains

Curve dimensioning

Based on this curve diagram, Interroll recommends the following steps:



EL	Installation length of the conveyor roller	R _i	Internal radius of the curve
L	Max. material length	P _o	Roller pitch on the external diameter
W	Max. material width	P _i	Roller pitch on the internal diameter
R _o	External radius of the curve		

- Curve definition
 - Driven or non-driven curve (for the drive, see RollerDrive EC310 page 198)
 - With driven curves, determination of the drive elements (see sub-chapter Drive elements on page 261)
- Selection of the roller series (drive element, based on a diameter of 20 or 50 mm)
 - Series 3500KXO light see page 102
 - Series 1700KXO see page 76
 - Series 3500KXO see page 106
- Determining the dimensions of the largest possible material to be conveyed
- Selecting the inside radius (note under "Radii")
- Calculating the minimal outside curve radius R_o

$$R_o = 50 \text{ mm} + \sqrt{(R_i + W)^2 + \left(\frac{L}{2}\right)^2}$$
- Calculating the minimal installation length of the conveyor rollers

$$\text{Installation length } EL_{\text{MIN}} = R_o - R_i$$

- The reference lengths of the rollers are calculated based on the lengths of the tapered tube sleeves. The lengths must be greater than the calculated installation length.
- Calculating the actual installation length of the selected curve roller (see the note in the respective chapter of the roller series)
- Calculating the actual outside curve radius R_o

$$R_o = EL + R_i \text{ with selected standard EL}$$
- Determining the roller pitch at the inside diameter or angle between the rollers
- Calculating the roller pitch at the outside diameter P_o

$$P_o = P_i \cdot \frac{R_o}{R_i}$$

Installing the rollers



For the curve construction, it must be taken into account that the top side of the curve roller is level. Hence, the fastening shaft of the roller is not horizontal. As a result, vertically arranged side profiles do not have a 90° angle. For this reason, Interroll recommends an angle compensation so that the fastening shaft does not experience any warping. Due to the required angle compensation, curve rollers cannot be designed with tapered shaft-shuttle. RollerDrive can be used in curves only with protection rating IP54, and Interroll also recommends implementing an angle compensation in this case.

The installation length of curved sections must be longer than that of straight sections to ensure that the material to be conveyed does not touch the side guide in the curve. Please select the next larger installation length grid.

Drive

Using a RollerDrive as the drive for driven roller curves has established itself as the most cost-effective and attractive of all drive solutions. Curves with RollerDrive combined with the aforementioned tapered conveyor rollers are silent, compact and have a simple design.

Drive element

Round belts, chains and PolyVee belts are suitable as drive elements.

Round belts can be guided via grooves which are located in the area of a tube projection. As an alternative, round belts can also be guided via a drive head at the inside radius.

PolyVee belts are exclusively guided via a drive head, also at the inside radius.

A roller-to-roller drive is often implemented for chains. In such a case, the chains are guided via double sprocket heads at the outside radius.

The most frequent solution is the PolyVee belt. For use in curves, 2-rib and 3-rib flexible belts are suitable. The belts must occupy the first grooves from the direction of the inner curve radius. A distance of one groove is required between the two belts. Please read the notes in the chapter Drive Elements page 253.

Length of tapered elements

1.8° elements: The first tapered element has a length of 45 mm or 95 mm. All additional elements have a length of 100 mm. This allows selecting the total length of the tapered elements in increments of 50 mm. The different lengths of the first tapered elements result in 2 different inside curve radii.

2.2° elements: The length of the first tapered is always 140 mm. Hence, the inner curve radius does not vary.

Radii

Different inside curve radii can be created with the different Interroll curve rollers. A material will be conveyed perfectly through a curve only if the radii are being maintained.

Curve rollers of series 1700KXO and 3500KXO can be manufactured with a tube projection. It is possible that the tube projection is located on the side of the tapered element with the smaller diameter. The first tapered element will then have the corresponding distance to the curve side profile. With this design, it must be taken into account that the inner curve radius must be reduced with a tube projection of more than 20 mm. A tube projection on the side of the tapered element with the larger diameter does not have any effect on the inner curve radius.

Inside curve radii for rollers with PolyVee or round belt drive head

Inner curve radius	Conicity	Roller series	Roller reference lengths [mm]
660 mm	2.2°	3500KXO	190, 240, 290, 340, 440, 540, 640, 740
820 mm	1.8°	3500KXO	150, 250, 350, 450, 550, 650, 750, 850, 950
770 mm	1.8°	3500KXO	200, 300, 400, 500, 600, 700, 800, 900, 1000

PLANNING BASICS HOW TO BUILD A CURVE?

Inner curve radii for non-driven rollers

Inner curve radius	Conicity	Roller series	Roller reference lengths [mm]
357 mm	1.8°	3500KXO light	150, 250, 350, 450, 550
357 mm	1.8°	3500KXO light	200, 300, 400, 500, 600
690 mm	2.2°	1700KXO	190, 240, 290, 340, 440, 540, 640, 740
850 mm	1.8°	1700KXO	150, 250, 350, 450, 550, 650, 750, 850, 950
800 mm	1.8°	1700KXO	200, 300, 400, 500, 600, 700, 800, 900, 1000

Inner curve radii for rollers driven via chain

Inner curve radius	Conicity	Roller series	Roller reference lengths [mm]
690 mm	2.2°	3500KXO	190, 240, 290, 340, 440, 540, 640, 740
850 mm	1.8°	3500KXO	150, 250, 350, 450, 550, 650, 750, 850, 950
800 mm	1.8°	3500KXO	200, 300, 400, 500, 600, 700, 800, 900, 1000

Inside curve radii for rollers with grooves

Grooves are applied within a tube projection at the inner curve radius. The table "Inside curve radii for non-driven curves" lists the curve radii for the rollers of series 1700KXO. The tube projection must then be subtracted from the corresponding curve radius.

Roller pitch

The roller pitch depends on the selected drive element.

PolyVee belt: For example, if a PolyVee belt is used in the curve for a roller pitch of 75 mm, then a hole pitch of 73.7 mm must be planned at the inside radius. The roller pitch at the outside radius can be calculated using the following formula:

$$P_o = P_i \cdot \frac{R_o}{P_i}$$

- P_o = Roller pitch on the outside diameter
- P_i = Roller pitch on the inside diameter
- R_o = Outside radius of the curve

Interroll recommends an angle of 5° between two rollers. The angle must not be greater than 5.5°.

Round belts: Any length can be used here. To ensure a sufficient distance of the rollers, Interroll recommends not to plan more than 22 rollers in a 90° curve. This also applies to non-driven curves.

Chains: The chain as drive element allows only a limited number of roller pitches. The roller pitch is always a multiple of the 1/2" chain pitch and can be calculated as follows:

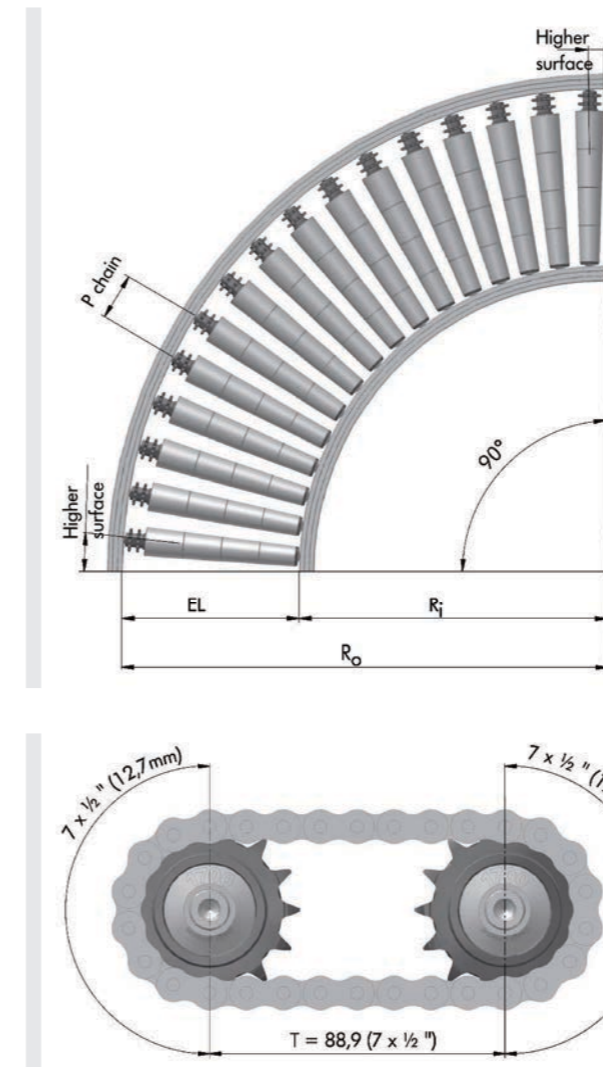
$$P_{Chain} = \frac{(N_t - N_c)}{2 \cdot 12.7}$$

- P_{Chain} = Chain pitch
- N_c = Number of teeth
- N_t = - Number of chain links

The calculation of the roller pitch is performed at the outside radius. With a roller-to-roller drive, the inside and outside sprockets are used alternatingly. The roller pitch should be dimensioned so that a chain on the outside sprockets is perfectly tensioned. With the same roller pitch in the curve, the chain on the inside sprockets will be tensioned a little bit less because of the reduced distance of the sprockets to each other.

PLANNING BASICS HOW TO BUILD A CURVE?

The roller pitches at the inside and outside radius must be calculated on the basis of the chain pitch.



Number of chain links	Pitch measured on the sprocket [mm]
28	88.9
30	101.6
32	114.3
34	127.0
36	139.7
38	152.4

The following information on the number of conveyor rollers required relates to a 90° curve on which a higher surface to the 90° angle of the side frame has been designed in for equalization.

Reference length [mm]	Pitch measured on the sprocket [mm]					
	88.9	101.6	114.3	127.0	139.7	152.4
250/300	19	16	14	13		
350/400	20	18	16	14	13	
450/500		19	17	15	14	13
550/600		21	18	17	15	14
650/700			20	18	16	15
750			21	19	17	16
800				19	17	16
850/900				20	18	17

The following theoretical pitches (measured at the sprocket with a pitch of 1/2" and 14 teeth) have been proven and tested:

Number of rollers

The calculation or determination of the roller pitch and the angle of the roller curve result in the number of rollers to be used, which is not always an even number. In this case, the value must be rounded up or down.

If a PolyVee belt is used in the curve for a roller pitch of 73 mm (based on a straight conveyor line), it results in an even roller count for the following curve angles:

Angle	Number of rollers
30°	6
45°	9
90°	18
180°	36

Speed

For a material to be conveyed perfectly through the curve, the curve speed and the speed of the straight conveyor line must be identical before and after the curve. The curve speed refers to the average speed, see the following sample calculation. If the speeds of straight and curve are different, the material to be conveyed can lose its orientation and, as a result, reach the side guide.

Sample calculation of average diameter

First, the average diameter of the tapered rollers is to be calculated. When tapered elements with an angle of 1.8° and a length of 450 mm are used, the starting diameter is 55.6 mm and the ending diameter 84.0 mm.

$$\varnothing_{\text{av}} = \frac{\varnothing_{\text{min}} + \varnothing_{\text{max}}}{2} = \frac{55,6 \text{ mm} + 84,0 \text{ mm}}{2} = 69,8 \text{ mm}$$

- \varnothing_{av} = Average diameter of tapered elements
- \varnothing_{min} = Starting diameter
- \varnothing_{max} = Ending diameter

Sample calculation of same speed

Let us assume that the straight section before and after the curve is equipped with 50-mm diameter rollers and runs at a speed of 0.8 m/s. The speed in the curve is to be of the same value and must be converted to the average diameter of 69.8 mm.

$$S_{\text{RD}} = \frac{S_{\text{Strai.}}}{\varnothing_{\text{av}}} \cdot \varnothing_{\text{Strai.}} = \frac{0,8 \text{ m/s}}{69,8 \text{ mm}} \cdot 50 \text{ mm} = 0,57 \text{ m/s}$$

- S_{RD} = Speed to be set of the RollerDrive
- $S_{\text{Strai.}}$ = Required speed on the straight line
- \varnothing_{av} = Average diameter of tapered elements
- $\varnothing_{\text{Strai.}}$ = Diameter of rollers on the straight line

Dimensioning of magnetic speed controller

The magnetic speed controller MSC 50 is a mechanical speed controller that ensures a controlled speed on gravity conveyors with materials weighing up to 35 kg.

In contrast with conventional products, the speed controller operates without a gear box, thus enabling startup for very lightweight containers starting at 0.5 kg. The maximum mechanical output is 28 W, thus providing the required consistently high braking power for heavy containers. The operating principle is based on an eddy current brake. A double shielding of the magnets enables a uniform braking action.

Conventional products often contain brake shoes. The heavier a material, the more stronger the braking of these brake elements. This purely mechanical braking process causes wear. It means that such products have to be replaced after a certain time since the brake shoes are worn off. Such a wear does not take place in the MSC 50.

The hexagon shaft used serves the torque within the side profile. A loose, form-fit installation of the hexagon shaft is possible with hexagon holes in the side profiles. A hole size of 11.5 mm is required for an oblique installation. With a fixed installation using a female threaded shaft, a minimum torque of 20 Nm must be applied. Interroll recommends the additional use of a screw locking device.

The speed controller without PU sleeve is manufactured with a tube diameter of 51 mm. Together with conveyor rollers of 50 mm diameter, a minimum higher surface of 0.5 mm is created. This provides sufficient contact to the material to be conveyed, which leads to an optimal braking function.

The distribution, number and design of the speed controller in a conveyor track depends on many parameters:

- Incline of conveyor track
- Roller pitch
- Infeed speed, e.g. by a sorter
- Material weight
- Condition of the underside of the material to be conveyed

The data listed below has been determined by means of numerous tests. Materials to be conveyed with optimal undersides were used for this purpose. The data is intended to provide a reference point for the dimensioning of applications, whereby the combination of critical parameters is very large. Due to the multitude of influencing factors, Interroll cannot provide specific information about conveying speeds and, for this reason, recommends to empirically determine the final layout:

- Lightweight materials can run very slowly (approx. 0.01 m/s).
- Under optimal conditions, heavy materials can run at 0.5 m/s.

- The design with PU sleeve is intended to improve the static friction for smooth plastic containers. The PU sleeve is particularly recommended in combination of conveyor tracks with large inline and high material weights.
- For cardboards and many other materials, the friction in combination with zinc-plated steel tube is sufficient.
- Inclines from 5 % to 10 % were examined in numerous tests. The following distances between the magnetic speed controllers were tested successfully:

Material weight [kg]	Distance of MSC 50 [kg]
0.5 to 10	Maximum 2000
10 to 20	800 to 1500
20 to 35	Adjusted to the length of the material to be conveyed

- With infeed speeds into the gravity conveyor greater than 1 m/s, Interroll recommends the installation of three to four MSC 50 at the beginning of the gravity conveyor. The placement on the first 1,000 mm is used for immediate reduction of the speed. On the rest of the gravity conveyor, the distance values specified above can be applied as guide values.

RollerDrive dimensioning

Variant selection

RollerDrive EC310 is available in different variants. The following information should help in finding the correct design for a specific application.

Tube material

Various aspects must be taken into account when selecting the correct tube material.

If the material or the environment is moist, if water is used for cleaning, or if there is a risk that a sprinkler system could be activated, then a tube with a high corrosion protection should be selected. A tube made of stainless steel is recommended. Many conventional motor rollers are generally heavier than the RollerDrive EC310.

The RollerDrive and also adjacent rollers must be capable of reliably moving the material. In many cases, this also includes stopping and starting the material without letting it slide on the tubes. This is particularly important for conveyors with an incline. For many materials, the friction to the metal tube of the RollerDrive is sufficient, e.g. tires. For other materials, a suitable sleeve or a lagging of the tube is required. It is recommended to fit the tube with a PU sleeve. It is more robust than a PVC sleeve and more cost-effective than a lagging. However, it is indispensable to adjust the friction of the RollerDrive to the application properties.

A metal tube, the different sleeve variants or the lagging are suitable for use in straight running conveyor line. Cylindrical RollerDrive can also be used for a curve. It must be taken into account that the material to be conveyed has to be force-guided in this case via a lateral confinement. The result can be damage to the material or the side guide. To avoid it, it is recommended to use RollerDrive and rollers with tapered elements.

Fastener

On the conducting side, the RollerDrive is fastened via a hexagon shaft in the side profile. The hexagon features an M12 male thread, an M12 fastening nut can be supplied on request. This nut features ribs on the contact surface to the side profile which prevents a loosening of the nut in almost all side profiles due to vibration. This very simple solution prevents the shaft from turning inside the fastening hole and damaging the connecting cable. The nut must be tightened with a torque of 70 Nm. A fastening socket for a torque wrench with opening for the RollerDrive connecting cable is suitable for this purpose, see page 240.

On the opposite side, the RollerDrive can be fastened in different ways. An M8 screw can be screwed into a shaft pin with female thread. For the IP66 variant, the shaft pin sits in a slide bearing. For the conventional variant with protection rating IP54, it sits in a ball bearing. The fastening is also possible for a spring-loaded shaft solution. In combination with a drive head, e.g. a PolyVee drive head, the spring-loaded shaft is designed as hexagon. Without drive head, e.g. if round belts are guided via grooves, the spring-loaded shaft is designed as tapered hexagon. With this solution, the hexagon slides so far into the fastening hole until it is backlash-free. This solution reduces the noise level and possible wear.

RollerDrive with tapered elements require an angle compensation during fastening.

Protection rating

The RollerDrive has a protection rating of IP54. If this should not be sufficient due to moisture or dirt, a version with protection rating of IP66 is available.

Temperature range

The RollerDrive EC310 is designed for a temperature range from 0 to 40 °C. For freezer applications up to -30 °C, Interroll recommends the use of a corresponding freezer variant, see page 204.

Drive element

Several drive heads are available, and grooves can also be fitted in the tube, see chapter EC310, page 198 for further details. A comparison of the different drive elements is located on page 253. Interroll recommends the use of PolyVee belts since they are suitable for almost all applications (straight, curve, gravity, etc.).

Speed / torque

The RollerDrive EC310 covers all common speeds for ZPA conveyors. 9 gear stages are available to meet the requirements of different applications. The gear stage should be selected with respect to the required speed and the required torque. For this purpose, the RollerDrive can be varied with respect to speed. For example, the gear ratio 16 : 1 can turn with a maximum speed of 1 m/s, but also with every lower speed up to 0.1 m/s.

Compared with some drive solutions without gear box, the RollerDrive allows implementing a broad spectrum of applications with different torque requirements. It is sufficient to use the same drive with the same interface and control at all times, but employ different gear stages.

Planning

For safe and reliable conveyance, at least one RollerDrive and two conveyor rollers have to be located under the material to be conveyed. It is recommended to place the RollerDrive in the center of the conveyor roller that it is driving.

If the material to be conveyed is to be moved on a conveyor perpendicular to the direction of the roller shaft, that is free of transverse force, then the static friction and rolling friction have to be overcome.

The following equation applies to materials to be conveyed, which are moved at a constant speed along a conveyor track:

$$F = m \cdot g \cdot \mu$$

F = Required tangential force in N
m = Mass in kg
g = Max. gravitational acceleration 9.81 m/s
μ = Coefficient of friction

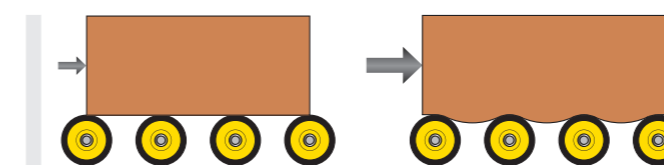
Sample calculation

If the weight of the material is 30 kg and the coefficient of friction is 0.04, the resulting required tangential force is 11.8 N.

With a roller radius of 25 mm, the required torque (force × distance) is 0.3 Nm. The required mechanical power at a speed of 0.5 m/s (force × speed) measures 5.9 W.

Coefficients of friction for different container materials when using rollers with steel tubes:

Material	Coefficient of friction μ
Steel	0.03
Polymer, smooth	0.04
Polymer, profiled	0.05
Wood	0.05
Boxes	0.06



During zero-pressure accumulation conveying, the RollerDrive is started and stopped many times. The RollerDrive is designed for

such a high number of cycles. The previously described calculations are used for checking to what extent a RollerDrive is capable of conveying certain materials. On top of that, the cycle count, i.e. how often the RollerDrive switches off and on per time unit, also plays a decisive role. The higher the cycle count, the higher the motor temperature. The motor temperature is also affected by the turning time per time unit. The less the standstill time of the motor, the less cooling time for the motor. With cycle times that are too high and standstill times that are too low, the RollerDrive switches to a temperature protection function and can no longer be operated until it has cooled off. This must be taken into account for the planning.

The required drive force to convey an item at a constant speed along a roller conveyor depends on the condition of the underside of the material. A minimal force has to be exerted for a rigid, difficult to deform underside, such as a steel container.

However, a steel container tends to slide on the tube material during acceleration and deceleration. Approx. 3 % of the material weight must be applied as propelling force during constant travel. μ is approx. 8 % with a cardboard container. This can be explained by the soft and malleable underside. With a cardboard container, the differential figure is applied to the steel container for the deformation of the underside of the container and is therefore no longer available for the forward motion.

As a conveyor cycle consists of acceleration, constant travel and braking, acceleration is critical for assessing the output.

In the acceleration phase, the static friction is overcome and a transition to significantly lower roller friction takes place. For this reason, a power surge can be measured at the start of every conveyor cycle.

For zero-pressure accumulation conveying, the conveyor should be divided into zones. As a rule, every zone is driven by a RollerDrive. The zone length must orient itself at the material length or the longest material to be conveyed. The zone length must be longer than the longest material to be conveyed so that a gap prevents the materials from contacting each other. In most cases, light barriers are used to detect material in every zone. The run-on depends on various factors, such as speed or material weight, but also the selected drive element. The run-on describes the distance from the sensor to the front edge of the material to be conveyed. In an ideal case, the run-on is very small, although the material comes to a standstill later in most cases. To prevent the material from being partially conveyed onto the first roller of the next zone, the position of the sensor must be optimized accordingly. The programming of the logic of the zero-pressure accumulation conveying does not have to be complex, it is already contained in most Interroll controls. A power surge can be measured at the switch-on time of the RollerDrive. This application-dependent power surge must be taken into account when dimensioning the power supply, see the chapter Power supply dimensioning, page 268.

Power supply dimensioning

Introduction

The Interroll RollerDrive and its different controls are operated with a voltage of 24 V DC. Interroll offers a 24-V power supply labeled PowerControl for this purpose. The PowerControl is exactly dimensioned for the requirements of the RollerDrive and its controls (see page 234). The following must be observed if conventional power supplies are used:

- The rated and startup current of the RollerDrive must be taken into account when dimensioning the power supply.
- The RollerDrive, and also its controls, feed back voltage, i.e. the power supply must be feedback-capable.
- The voltage must not be set to ≥ 25.2 V. Starting at 25.2 V, the brake chopper in the controls is activated. Long line lengths should be avoided since they could be accompanied by a high voltage drop.

Basic information

The RollerDrive EC310 can be connected to the following controls:

- DriveControl 20
- DriveControl 54
- ZoneControl
- SegmentControl
- ComControl
- MultiControl

Each control (without connected RollerDrive or connected sensor) allows a current flow of approx. 0.5 A (generally significantly lower). This current is not taken into account for the power supply dimensioning in the following example. The same applies to the sensors. As a rule, they can be assumed to have a current flow of 50 mA and are also not included in the sample calculation. If additional current-relevant inputs or outputs are switched, they should be included in the dimensioning.

The RollerDrive EC310 has a rated current of 2 A and a startup current of 4 A. The currents depend on different factors, e.g. start ramp of the RollerDrive, number of rollers connected to the RollerDrive, weight of the material to be conveyed, speed of the RollerDrive, etc. In many applications, the rated current is 1 A and the startup current 3.5 A.

In general, several RollerDrive are supplied by one power supply. The RollerDrive are mostly used for zero-pressure accumulation conveying. In this case, not all RollerDrive are started simultaneously in the so-called single release. For the power supply dimensioning, it would therefore be possible to include a simultaneity factor. If it is not clear how many RollerDrive could start simultaneously, Interroll recommends dimensioning the power supply with the assumption that all RollerDrive will start simultaneously.

Sample calculation / dimensioning

The calculation refers to the PowerControl, a 20-A power supply which can be loaded with 30 A up to 4 seconds.

Eight RollerDrive shall be supplied with voltage. Depending on the application, the RollerDrive requires a rated current of 1 A and a startup current of 3.5 A. In the system, it is possible that all RollerDrive start simultaneously.

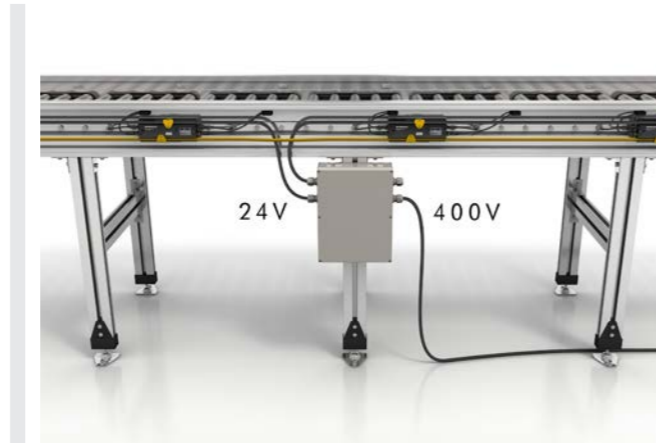
Total rated current: $8 \cdot 1 \text{ A} = 8 \text{ A}$
Total startup current: $8 \cdot 3.5 \text{ A} = 28 \text{ A}$

Explanations

If only the rated current is included, a 10-A power supply without power reserve could be sufficient. This can lead to incorrect behavior of controls or the installation: If all RollerDrive switch on simultaneously, a 10-A power supply with 28 A startup current would be overloaded. The power supply would switch off or the voltage would collapse. Hence, it is important that the startup current also be taken into account.

Which rated current and startup current are to be taken into account for the calculation, should be determined empirically. If this is not possible, Interroll recommends calculating with 2-A rated current and 4-A startup current for safety reasons.

Power supplies that allow for an output to the left and to the right should be used. Hence, the power supply can be positioned in the center of the controls to be supplied. This measure saves line and reduces voltage drop on the line.



Flat cables with cross sections of 2.5 mm² can generally be loaded with a continuous current of 16 A.

If train release is used instead of single release, it must be assumed for conventional logic programs that all RollerDrive start simultaneously. The Interroll controls avoid a cumulative high startup current of all RollerDrive:

- ZoneControl: The control has a permanently set delay time of 125 ms in the train release program. After an enabling signal, the first RollerDrive starts. The next RollerDrive starts 125 ms later, etc.
- ConveyorControl: The delay time is adjustable, function identical to ZoneControl.
- MultiControl: The delay time is adjustable, function identical to ZoneControl.

Tubes

Material	Standards	Specification
Uncoated steel, zinc-plated steel	DIN EN 10305-1 DIN EN 10305-2 DIN EN 10305-3	Limited tolerances and material specifications by Interroll
Zinc-plating	DIN EN ISO 2081 DIN 50961	Galvanized zinc sleeve with additional blue passivation (chromium IV-free) Sleeve complies with RoHS regulations Plating thickness 6 to 15 µm
Stainless steel	DIN EN 10312	1.4301 (X5CrNi18-10) and 1.4509 (X2CrTiNb18) Limited tolerances by Interroll
Aluminum	DIN 755	AW 6060 T66 (AlMgSi 0.5 F22) For 16 mm and 20 mm E6 / EV1, stained, natural and anodized Surface layer thickness 20 µm, isolating and non-conductive For 50 mm mill-finished, unfinished, thus conductive
PVC	-	PVC-U (rigid polyvinyl chloride, softener-free, silicon-free, highly impact-proof) Contains only materials, which have been tested and registered to comply with the REACH Directive (EC No. 1907/2006) RAL7030 (stone gray) RAL7024 (dark gray) RAL5015 (sky blue)

Bearings

Precision ball bearings, lubricated (689 2Z, 6002 2RZ, 6003 2RZ, 6204 2RZ, 6205 2RZ), used by Interroll:

Standard	DIN 625
Material	Rings and balls are made of stainless steel of material grade 100Cr6 Hardness: 61 ± 2 HRC, with metal cages
Bearing play	C3
2RZ Seal	Non-grinding 2-lip seal with labyrinth effect manufactured from steel-reinforced acrylonitrile-butadiene rubber (NBR)
2Z Seal	Non-grinding cover discs made of sheet steel
Lubrication	Multi-grade grease, silicon-free

Precision ball bearing, lubricated (6002 2RZ)

Standard	DIN 625
Material	Rings and balls are made of stainless steel of material grade 100Cr6 Hardness: 61 ± 2 HRC, with metal cages
Bearing play	C3
2RZ Seal	Non-grinding 2-lip seal with labyrinth effect manufactured from steel-reinforced acrylonitrile-butadiene rubber (NBR)
Lubrication	Multi-grade oil, silicon-free

Precision ball bearings made of stainless steel, lubricated (6002 2RZ, 6003 2RZ)

Standard	DIN 625
Material	Rings and balls made of stainless steel, material 1.4125 (X105CrMo17), with a material grade to comply with AISI 440C Hardness: 58 ± 2 HRC, with polyamide cages
Bearing play	C3
2RZ Seal	Non-grinding 2-lip seal with labyrinth effect manufactured from steel-reinforced acrylonitrile-butadiene rubber (NBR)
Lubrication	Multi-grade grease, silicon-free

Steel conical mount

Material	Wheel body material DX53D + Z, zinc-plated Bearing parts, hardened
Lubrication	Multi-grade grease, silicon-free

Polymer bearing

Material	External ring and cone made of polypropylene Balls made of carbon steel or stainless steel
Lubrication	Multi-grade grease with low viscosity, silicon-free, FDA-tested

Shafts

Material	Standards	Specification
Uncoated steel, zinc-plated steel	DIN EN 10277-3	1.0715 (11SMn30) Limited tolerances and material specifications by Interroll
Zinc-plating	DIN EN 12329 DIN 50961	Galvanized zinc sleeve with additional blue passivation (chromium IV-free) Sleeve complies with RoHS regulations Plating thickness 6 to 15 µm
Stainless steel	DIN EN 10088-23	1.4305 (X5CrNi18-9) Limited tolerances by Interroll

PolyVee belt

Standards	ISO 9982 (DIN 7867) PJ profile for 2-rib and 3-rib V-ribbed belts (PolyVee)
Material	Complies with the Directive 2011/65/EC (RoHS) Contains only materials, which have been tested and registered to comply with the REACH Directive (EC No. 1907/2006) Halogen-free, silicon-free, PVC-free, flame-resistant
Certification	UL-certified
Hardness	Ribs 70 Shore A
Electrical conductivity	< 7 MΩ (antistatic)
Temperature range	-30 to +80 °C
Dimensions	In accordance with ISO 9982 (DIN 7867), profile PJ

Please contact the relevant manufacturer for information on other drives.

Polymers

Interroll uses components made of polymer in almost all conveyor elements. Polymer has many advantages over steel:

- Sound reduction
- Easy to clean
- Excellent impact strength
- Corrosion resistance
- Lightweight
- High quality design

Properties and applications

Polymer	Properties	Uses
Polyamide (PA)	<ul style="list-style-type: none"> • Outstanding mechanical properties • Excellent wear resistance • Low coefficient of friction • Good chemical resistance 	Sprocket drive heads, seals and bearing seats
Polypropylene (PP)	<ul style="list-style-type: none"> • Low specific weight • Excellent heat resistance • Not hygroscopic • Good chemical resistance 	Wheels, seals and bearing seats
Polyvinyl chloride (rigid PVC)	<ul style="list-style-type: none"> • Scratch-resistant • Impact-resistant • Good chemical resistance 	Tubes for polymer conveyor rollers
Polyoxymethylene (POM)	<ul style="list-style-type: none"> • Outstanding mechanical properties • Excellent wear resistance • Low coefficient of friction • Very dimensionally stable • Minimal absorption of water • Used on parts which require a very high level of precision 	Toothed belt drive head and slide bearing

Resistance

Symbol	Meaning	Explanation
++	Very good resistance	Continuous exposure to the medium causes no damage
+	Generally resistant	Continuous exposure to the medium can cause damage, which is reversible when no longer exposed to the medium
-	Mostly non-resistant	Only resistant if there are optimum ambient and application conditions but generally some damage is to be expected
--	Completely non-resistant	The medium may not come into contact with the polymer

The resistance of the polymers is affected by temperature, exposure to force, UV exposure, and the duration of exposure and concentration of the medium.

A thorough suitability test of the polymer to be used by the user is indispensable. The following overview serves as orientation aid.

PLANNING BASICS

MATERIAL SPECIFICATION



Product	Polyamide (PA)	Polyoxymethylene (POM)	Soft PVC	Rigid PVC	Polypropylene (PP)
Ethers	++	++	-	++	-
Lower alcohols	++	++	++	-	++
Petrol	++	+	--	++	-
Esters	++	--	--	--	-
Fats	++	++	-	++	+
Hydrofluoric acid	--	--	-	-	-
Ketones	++	-	--	--	++
Aliphatic hydrocarbons	++	++	--	++	++
Aromatized hydrocarbons	++	+	--	--	-
Chlorinated hydrocarbons	-	++	--	--	--
Unsaturated, chlorinated hydrocarbons	+	++	--	--	--
Weak bases	+	++	++	++	++
Strong bases	-	++	-	++	++
Mineral oil	++	++	-	++	-
Oils	++	++	-	++	+
Oxidizing acids	--	--	-	--	--
Weak acids	--	-	++	++	++
Strong acids	--	--	++	-	--
Strong, organic acids	-	++	-	+	++
Inorganic salt solutions	++	++	++	++	++
Turpentine	-	-	--	--	--
Fuel mixture	+	++	--	--	-
Water	++	++	++	++	++

A

AdControl	245
Adjustable friction roller	128
Antistatic element	249
Axial play	22

B

Ball bearing	18, 270
Bearings	18, 270

C

Cable bridge	244
CentralControl	224
Chain	253
ComControl	224
Communication cable	241, 242
Concentric precision	29
Contact guard	239
Controls	212, 216, 220, 224, 230
ConveyorControl	224
Counter Wrench	240
Curve	260
Curve rollers	76, 102, 106

D

Double friction roller	124, 138, 144, 257
Drive concepts	251
DriveControl 20	212
DriveControl 54	216
Dummy plug	243

E

EC 310	198, 204, 208, 266
EtherCat	230
EtherNet / IP	224, 230
Extension cable	240

F

Fastening Socket	240
Finger guard	239
Finishing of shell materials	25
Flanges	36
Flat belt	90, 253
Flat belt drive head	90, 106
Flat cable	241, 241
Freezer design	204
Friction rollers	124, 128

G

GatewayControl	224
Gravity roller	40
Grooves	68, 76, 253

I

Interroll	10
IP66	208

L

Lagging	34
---------	----

M

Magnetic Key	245
Magnetic speed controller	154, 265
Material	247
Moist area	58
Motor roller	198, 204, 208, 266
MultiControl	230
MultiControl Dummy Plug	243
MultiControl Y-cable	242

N

Noise reduction	39
-----------------	----

O

O-Ring	168, 253
--------	----------

P

Pallet rollers	52, 118, 148
Platforms	14
PolyVee belt	238, 253, 272
PolyVee finger guard	239
PolyVee rollers	90, 106
PolyVee Tensioning Device	239
Power supply	234, 268
PowerControl	234, 268
Precision ball bearing	270
Profibus	224
Profinet	224, 230
PU sleeve	33
PVC sleeve	31

R

Roller pitch	249, 253, 260
Roller track	184, 186, 192
RollerDrive	198, 204, 208, 266
RollerDrive controls	212, 216, 220, 224, 230
RollerDrive counter wrench	240
RollerDrive extension cable	240
RollerDrive fastening socket	240
Round belt	168, 253
Round belt drive head	90

S

SegmentControl	224
Shaft adapter	23
Shaft designs	19
Shafts	19, 272
Slide bearing	58, 208
Smooth-running conveyor roller	40
Speed controller	154, 265
Sprocket	86, 90, 106, 112, 118, 124, 128, 138, 144, 148, 253
Straightened rollers	30

T

Tapered rollers	76, 102, 106
Tensioning device	239
Termination box	244
Toothed belt	90, 253
Toothed belt drive head	90
Tube material	24, 270

U

Universal conveyor roller	68
---------------------------	----

V

Variable shaft length	23
-----------------------	----

Y

Y-cable	242
---------	-----

Z

Zero-pressure accumulation conveying	251, 266
Zinc-plating	25, 270
ZoneControl	220



The Interroll Center of Excellence in Wermelskirchen (near Cologne, Germany) concentrates on conveyor rollers, RollerDrive and controls, used as key products in roller conveyors for container transport and other internal logistics systems. In this product sector, the company certified in compliance with ISO 9001 is responsible within the global Interroll Group for all technical concerns ranging from development and application engineering to production and support for local Interroll companies. With an annual production volume of several million units, Interroll is currently seen in the logistics sector as the world's largest specialist manufacturer of conveyor rollers.

Interroll Engineering GmbH
 Höferhof 16 | 42929 Wermelskirchen |
 Germany Tel.: +49 2193 23-0

LEGAL NOTICES

Contents

We strive for the information presented to be correct, up to date and complete. We have carefully worked out the contents of this document. Nevertheless, errors and changes are expressly subject to change.

Copyright / intellectual property right

Texts, images, graphics and the like as well as their arrangement are protected by copyright and other protection laws. Reproduction, modification, transfer or publication of any part or the entire content of the document in any form is prohibited. This document is intended exclusively for information purposes and for intended use and does not authorize replicating the respective products. All identification symbols used in this document (protected trademarks, such as logos and commercial designations) are the property of Interroll AG or their respective owners and may not be used, copied or disseminated without prior written permission.

About Interroll

The Interroll Group is a globally leading supplier of high-quality key products and services for internal logistics. The company supplies roughly 23,000 customers (system integrators and plant manufacturers) throughout the world with a broad product range in the four product groups "Rollers" (conveyor rollers), "Drives" (motors and drives for conveyor systems), "Conveyors & Sorters" as well as "Pallet & Carton Flow" (flow storage systems). Core industries are courier, express and postal services, airports, food processing as well as distribution and other industries. With its headquarters in Sant'Antonino, Switzerland, Interroll features a worldwide network of 32 companies with roughly 2,000 employees. The company was founded in 1959 and is listed on the SIX Swiss Exchange since 1997 and represented in the SPI Index.

[interroll.com](https://www.interroll.com)

INSPIRED BY
EFFICIENCY